

[54] AIRCRAFT

[75] Inventor: John A. Binden, Long Beach, Calif.

[73] Assignee: Northrop Corporation, Hawthorne, Calif.

[**] Term: 14 Years

[21] Appl. No.: 670,459

[22] Filed: Nov. 13, 1984

[52] U.S. Cl. D12/327

[58] Field of Search D12/327, 319, 328, 329; 244/17.19, 17.11, 6

[56] References Cited

U.S. PATENT DOCUMENTS

3,351,304 11/1967 Stein et al. 416/171
3,957,226 5/1976 Daggett 244/52

FOREIGN PATENT DOCUMENTS

1406431 11/1968 Fed. Rep. of Germany ... 244/17.19

OTHER PUBLICATIONS

Flight International, Nov. 1983, p. 1219, Fighter Helicopter, (top).

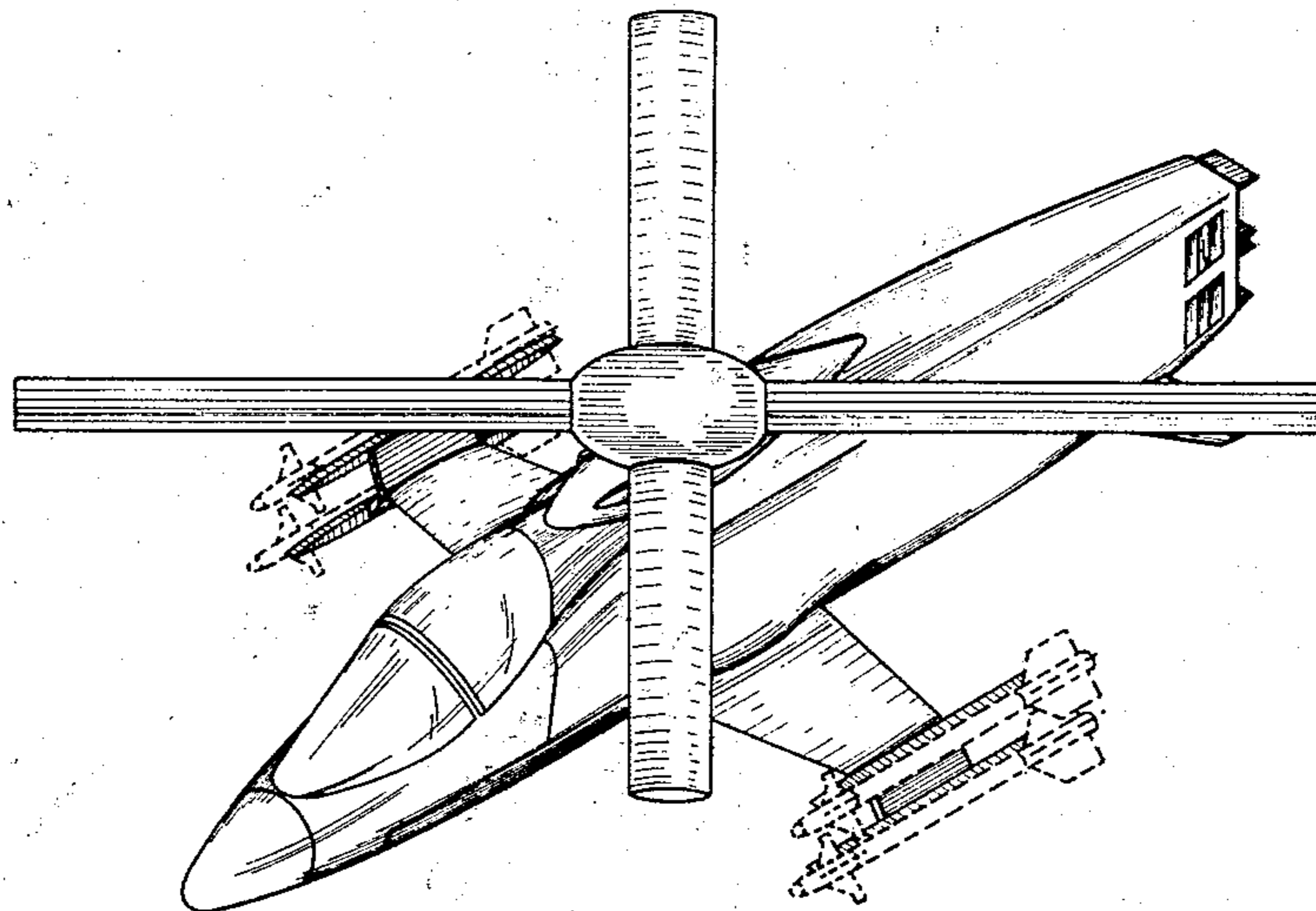
Primary Examiner—James M. Gandy
Assistant Examiner—Kay H. Chin
Attorney, Agent, or Firm—Terry J. Anderson; Michael B. Lachuk; Robert B. Block

[57] CLAIM

The ornamental design for an aircraft, as shown and described.

DESCRIPTION

FIG. 1 is a top perspective view of an aircraft showing my new design;
FIG. 2 is a bottom perspective view thereof;
FIG. 3 is a top plan view thereof;
FIG. 4 is a side elevation view thereof the opposite side being a mirror image of that shown;
FIG. 5 is a front elevation view thereof;
FIG. 6 is a rear elevation view thereof.
The broken lines shown in FIGS. 1 thru 6 of the drawing are for illustrative purposes only and form no part of the claimed design.



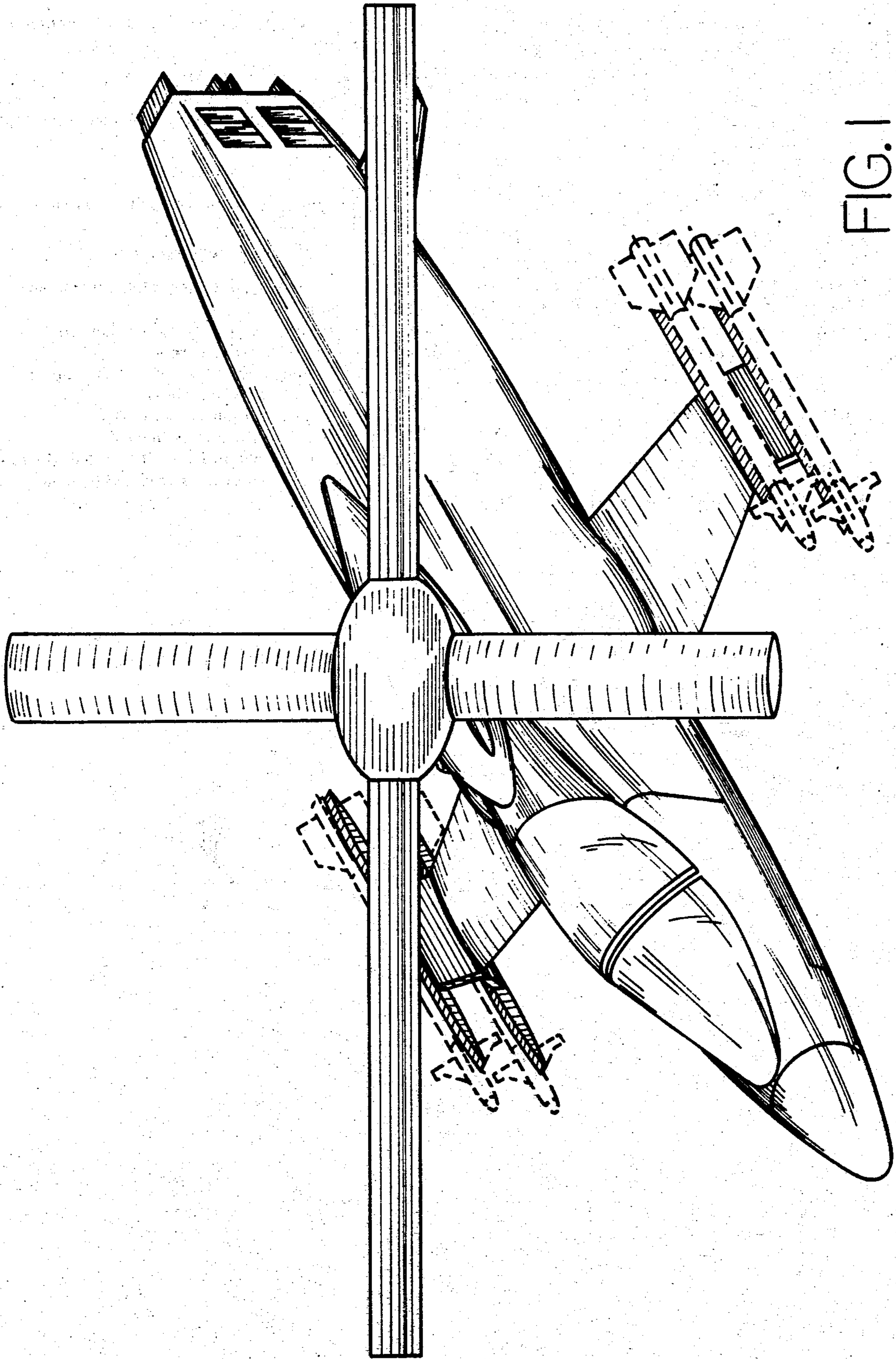


FIG. 1

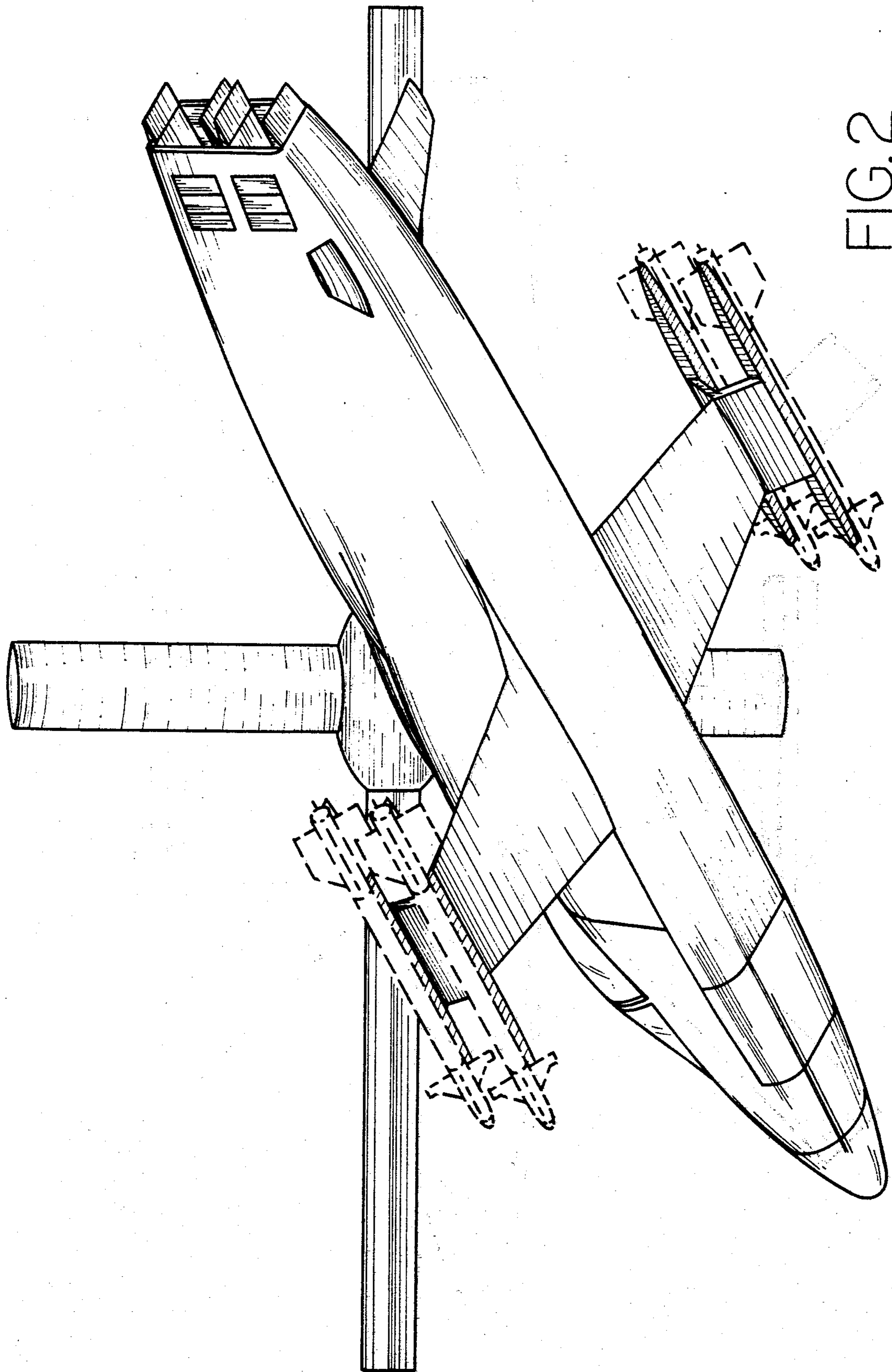


FIG. 2

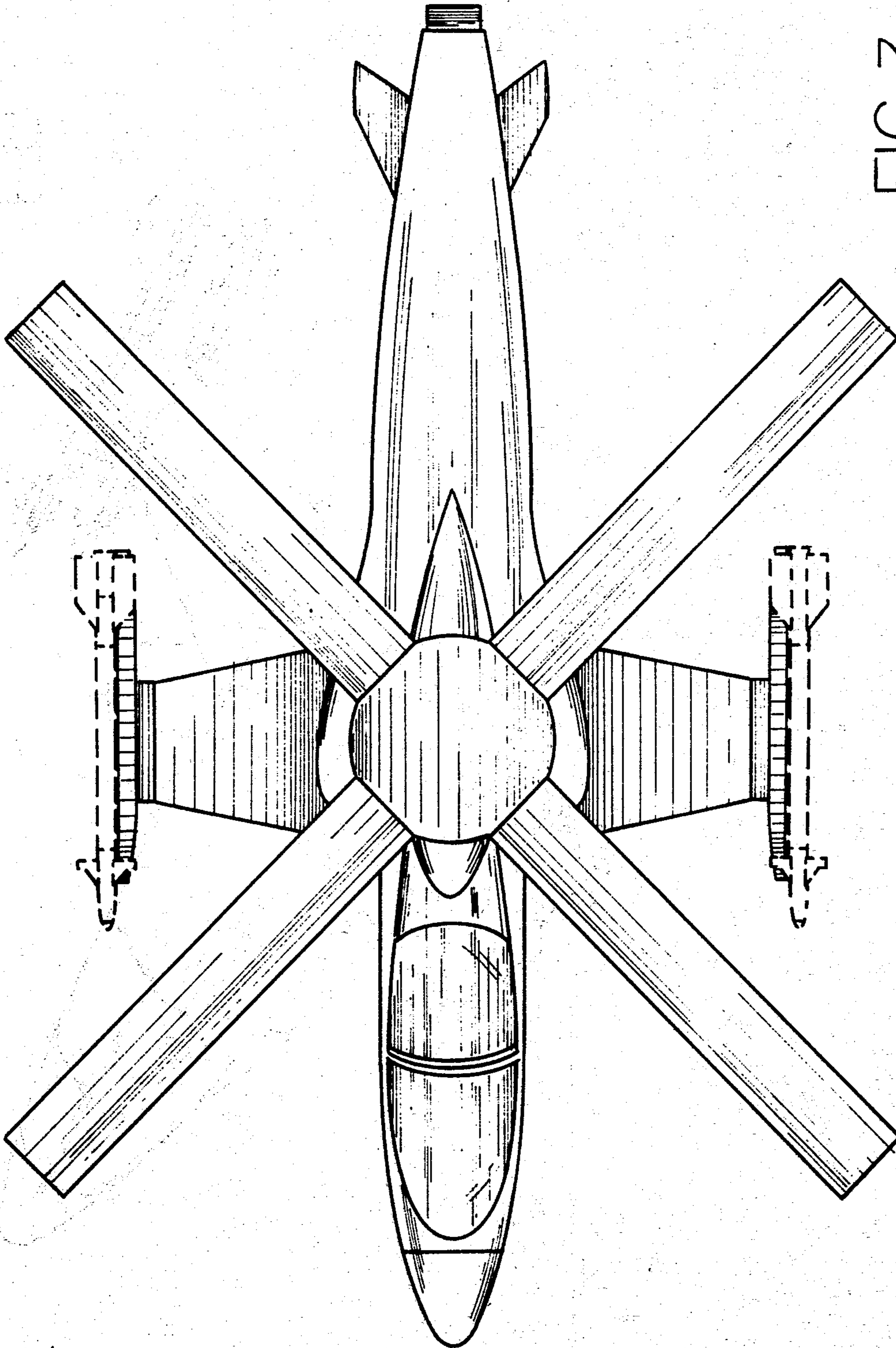


FIG. 3

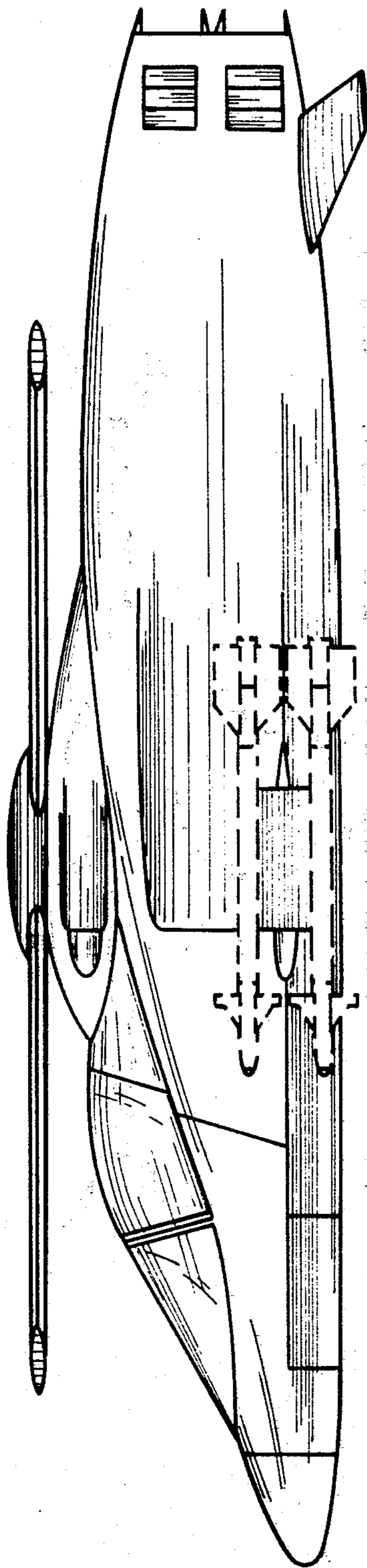


FIG. 4

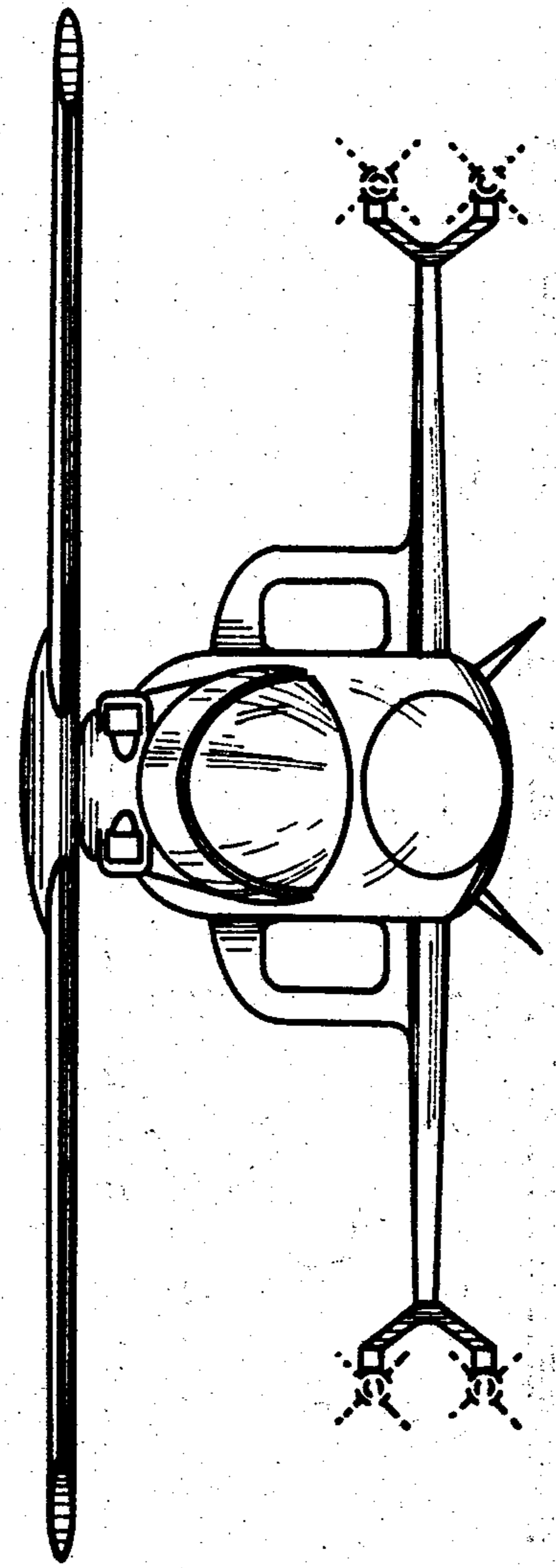


FIG. 5

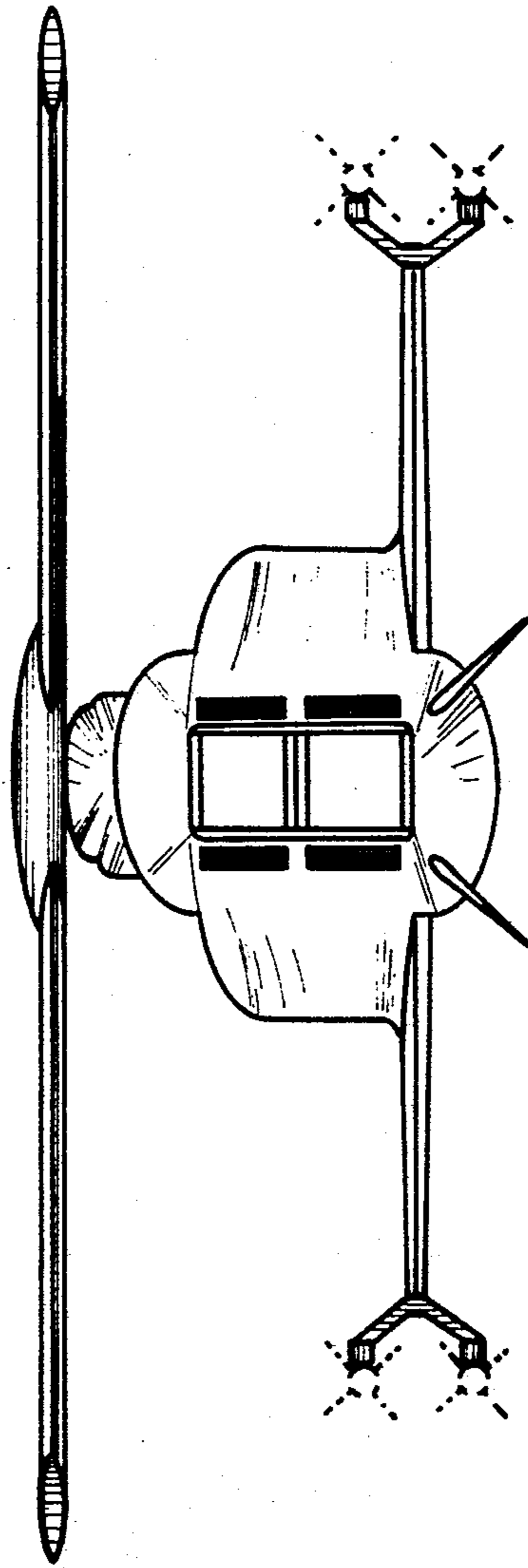


FIG. 6