

[54] MOTORCYCLE FUEL PUMP COVER

[75] Inventor: Alwin J. Stahel, St. Paul, Minn.

[73] Assignee: Drag Specialties, Inc., Minnetonka, Minn.

[**] Term: 14 Years

[21] Appl. No.: 650,624

[22] Filed: Sep. 14, 1984

[52] U.S. Cl. D12/126

[58] Field of Search D12/126, 114; 280/289 G, 289 R; 180/219

[56] References Cited

U.S. PATENT DOCUMENTS

- D. 275,471 9/1984 Stahel D12/114
- D. 279,663 7/1985 Stahel D12/126

OTHER PUBLICATIONS

Wingleader Accessories and General Honda Catalog,

Drag Specialties, Inc., published 1983, p. 14, Part No. 325666.

Primary Examiner—James M. Gandy
Attorney, Agent, or Firm—Faegre & Benson

[57] CLAIM

The ornamental design for a motorcycle fuel pump cover, as shown and described.

DESCRIPTION

FIG. 1 is a right side elevational view of a motorcycle fuel pump cover embodying my new design in position of use, it being understood that the broken lines are for illustration purposes only;

FIG. 2 is an enlarged right side elevational view thereof;

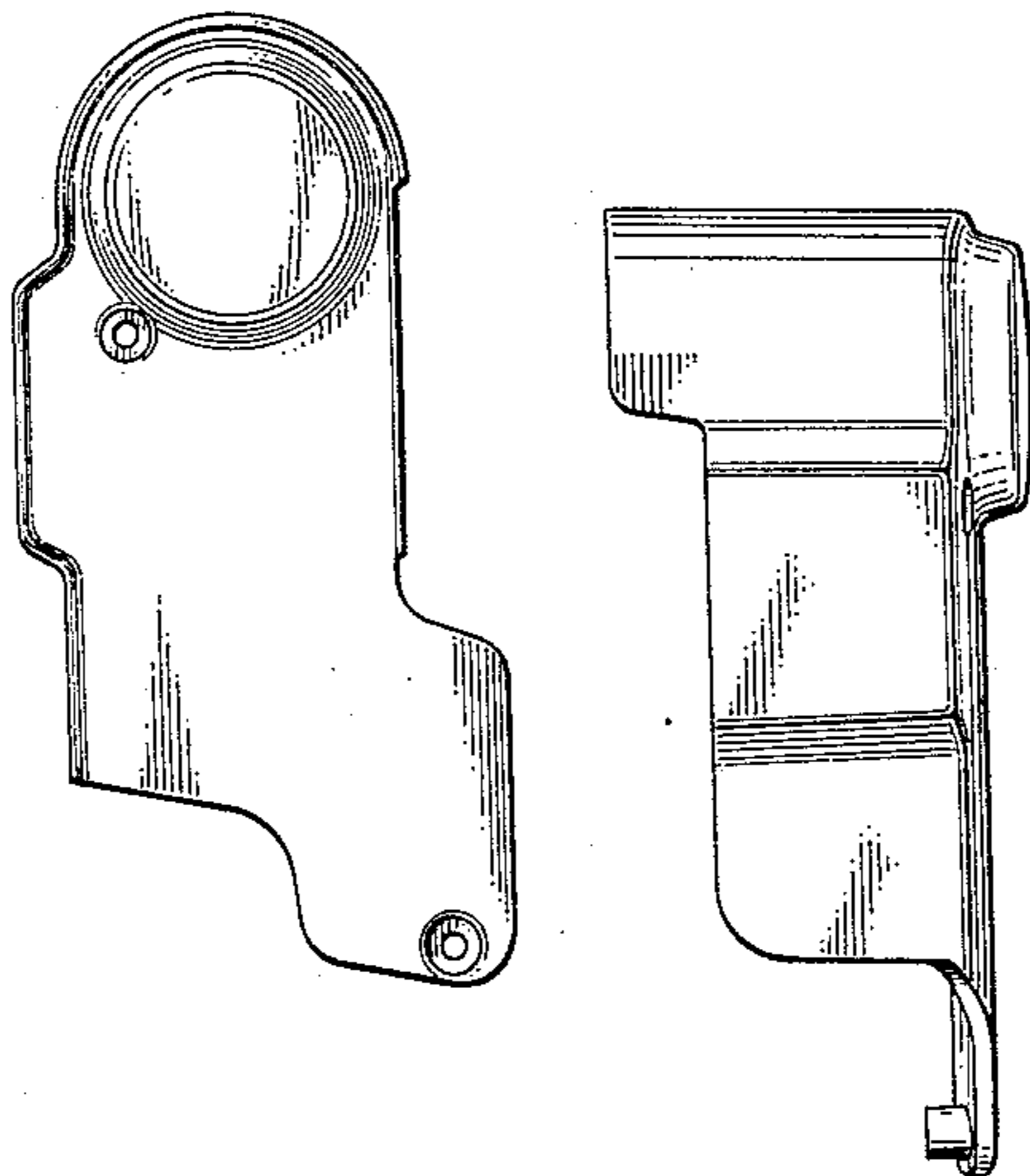
FIG. 3 is an enlarged rear elevational view thereof;

FIG. 4 is an enlarged left side elevational view thereof;

FIG. 5 is an enlarged front elevational view thereof;

FIG. 6 is an enlarged top plan view thereof; and

FIG. 7 is an enlarged bottom plan view thereof.



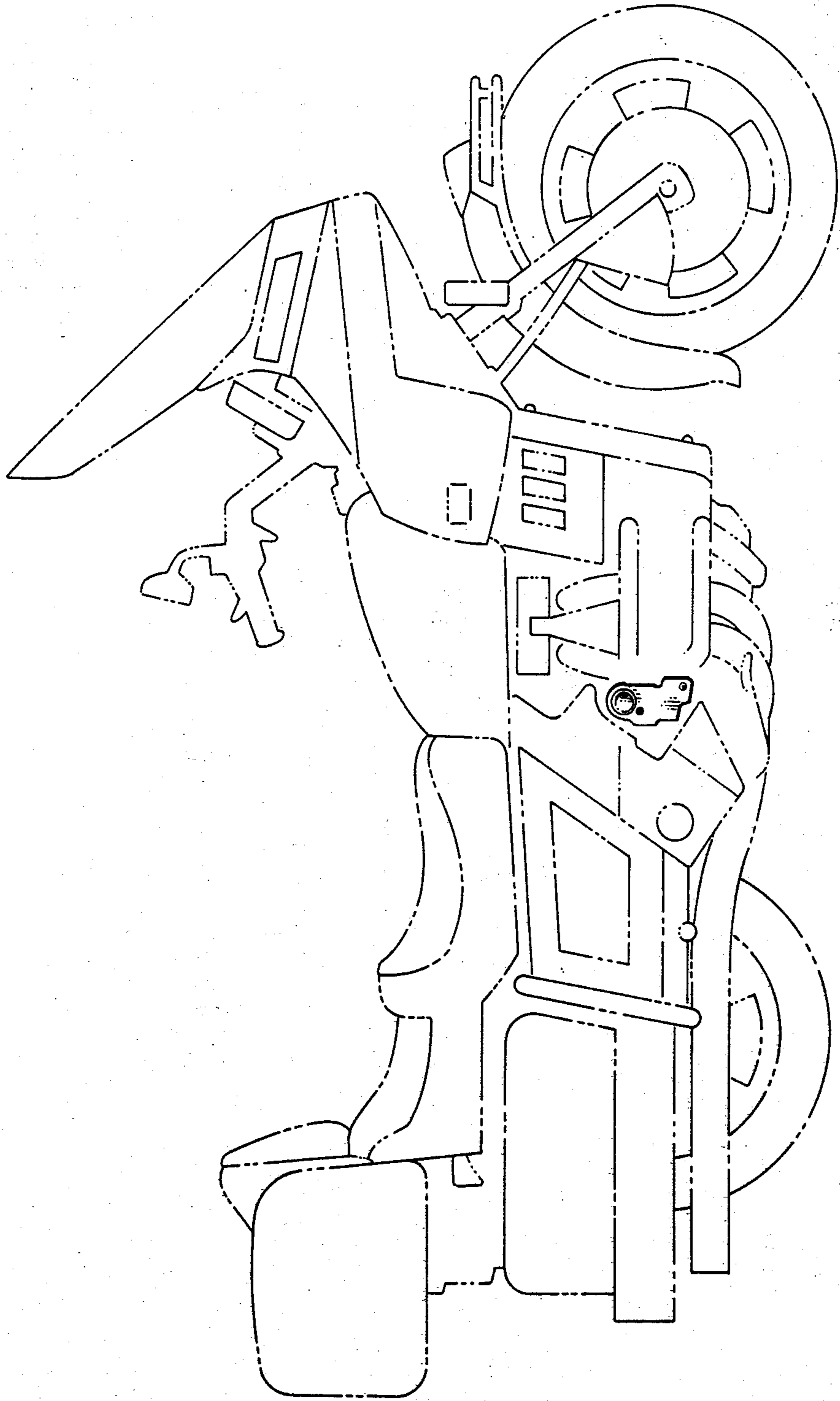


Fig. 1

Fig. 2

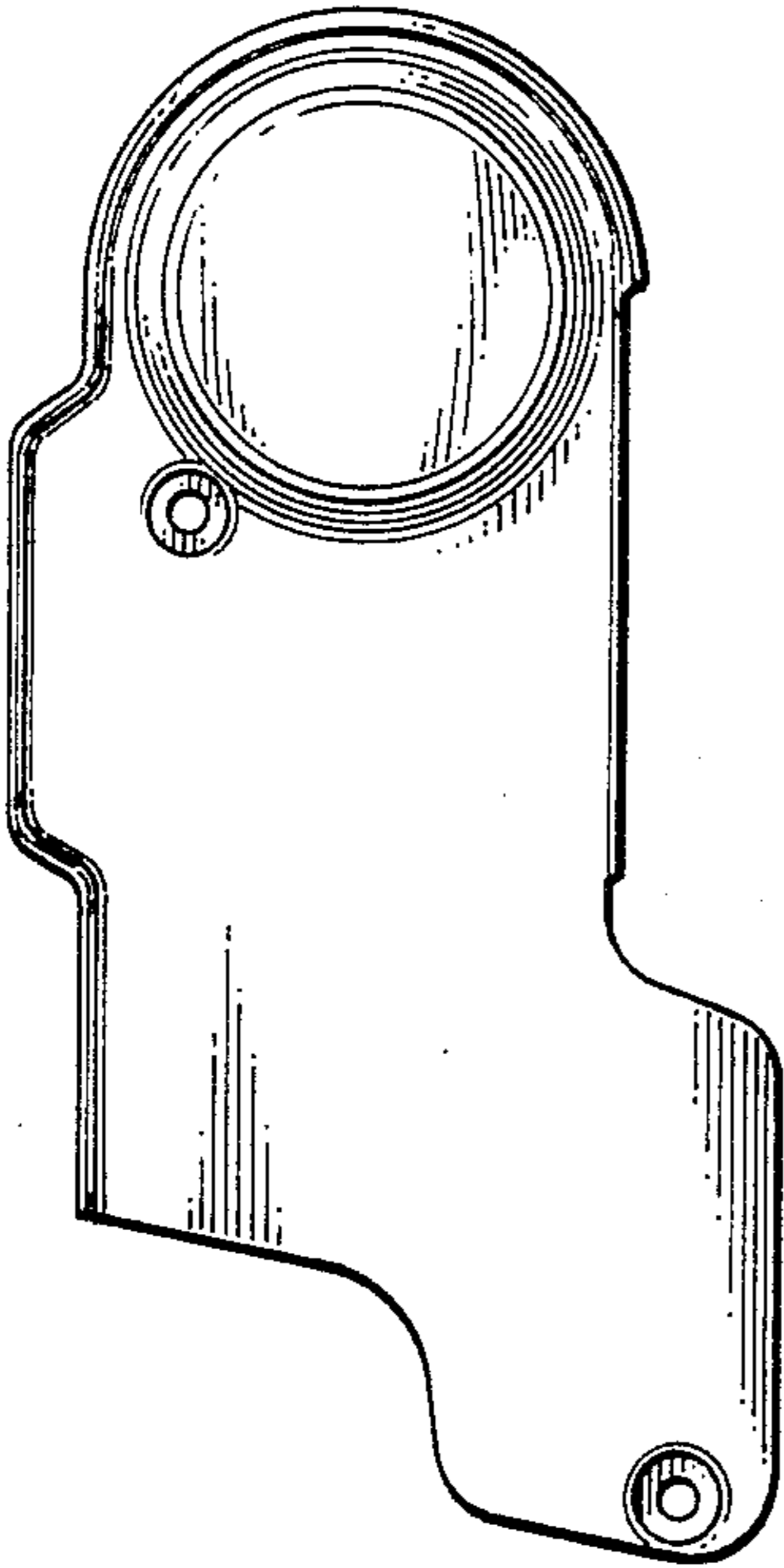


Fig. 3

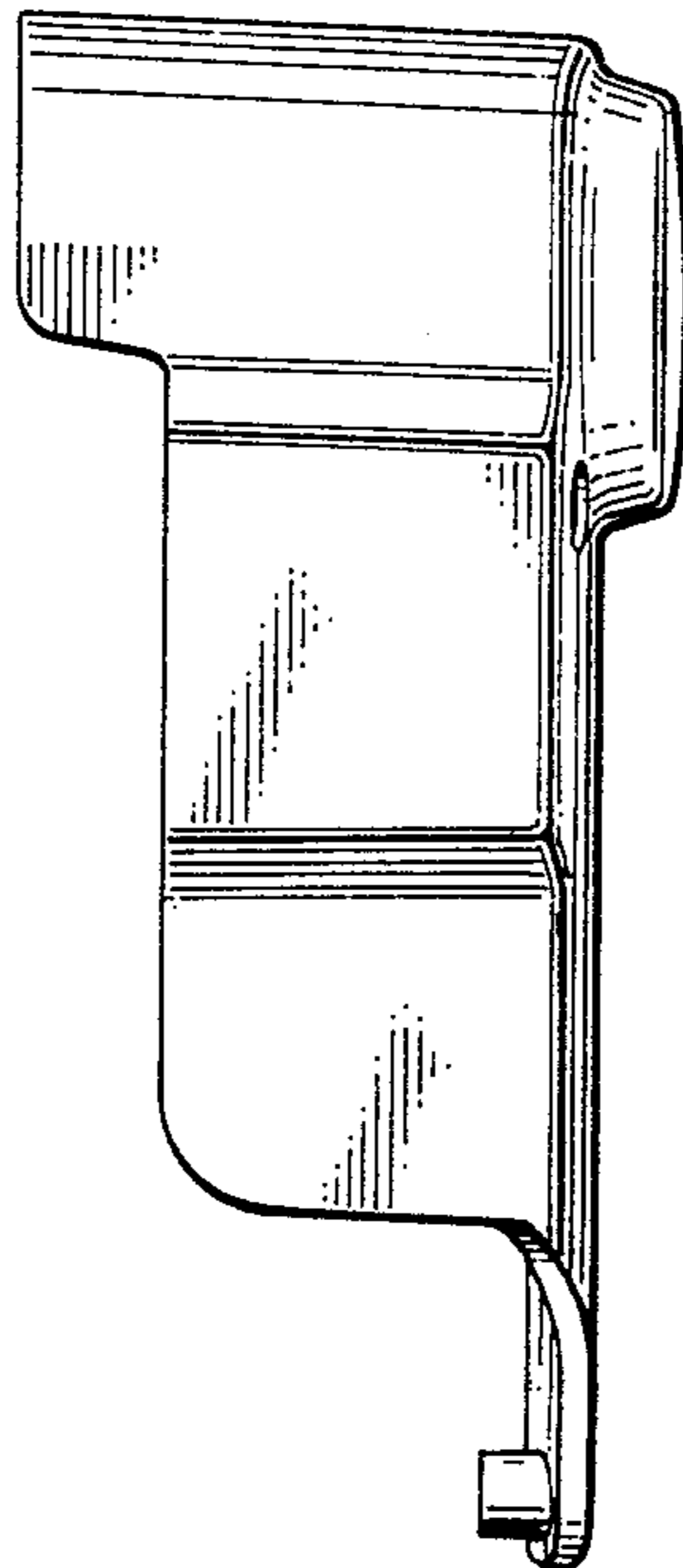


Fig. 4

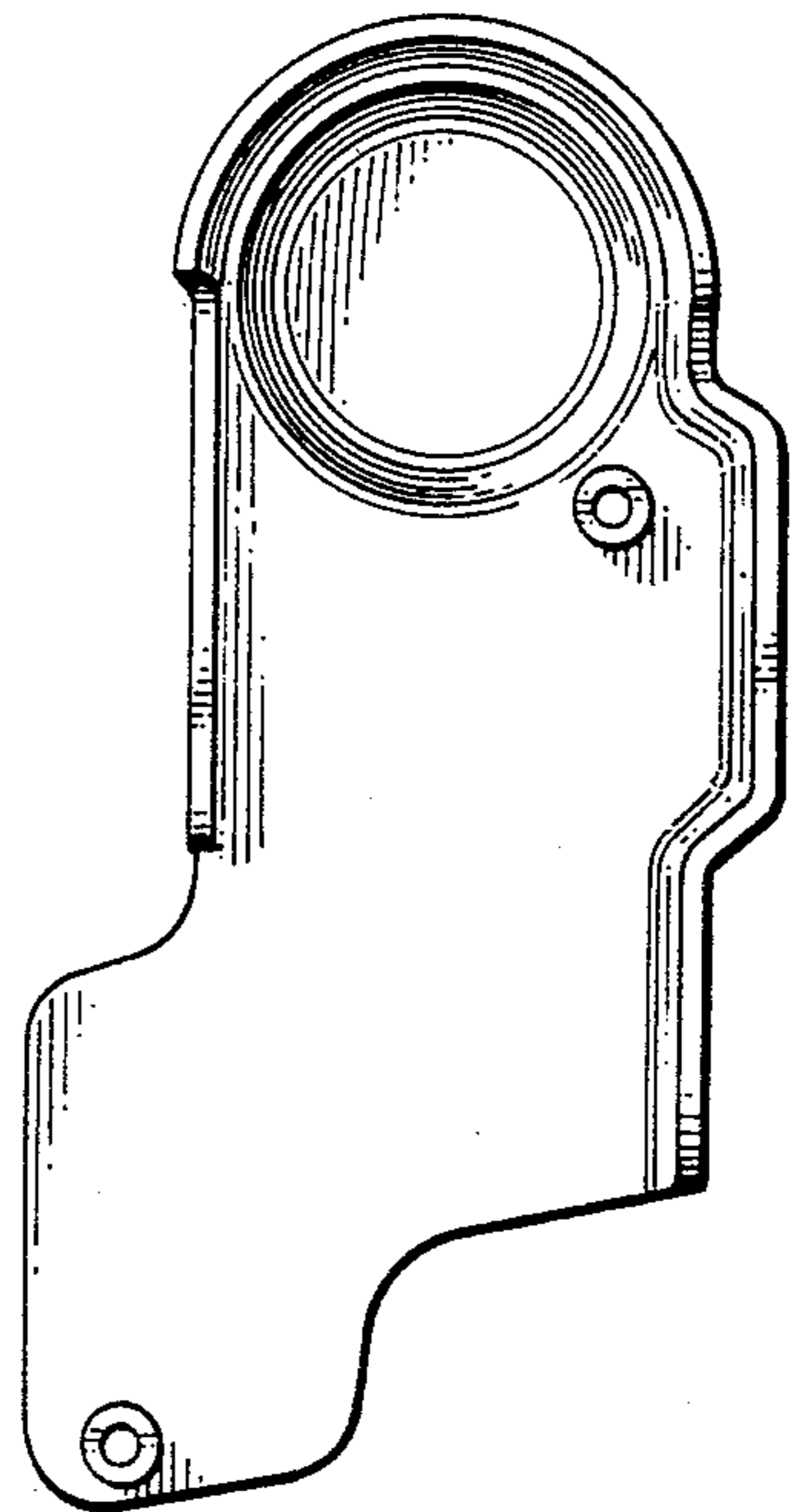


Fig. 5

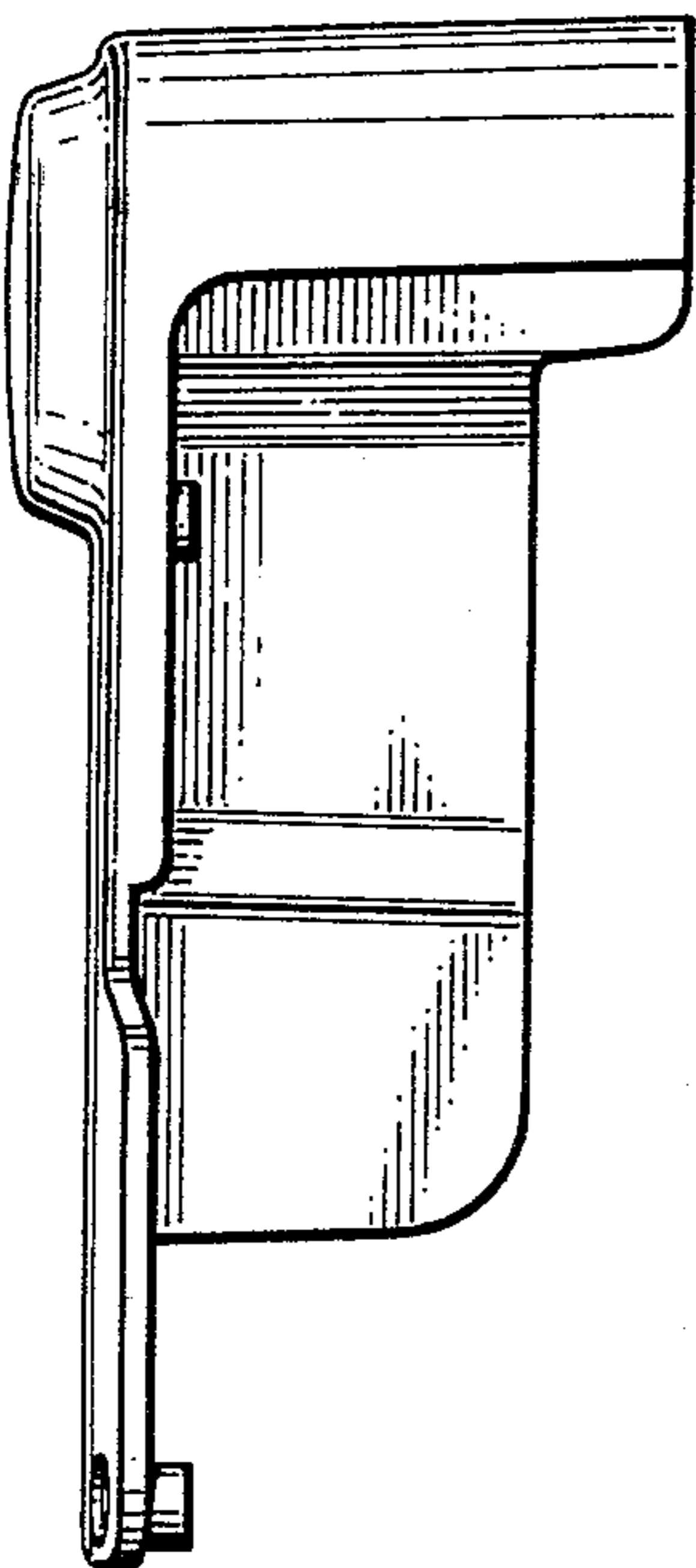


Fig. 6

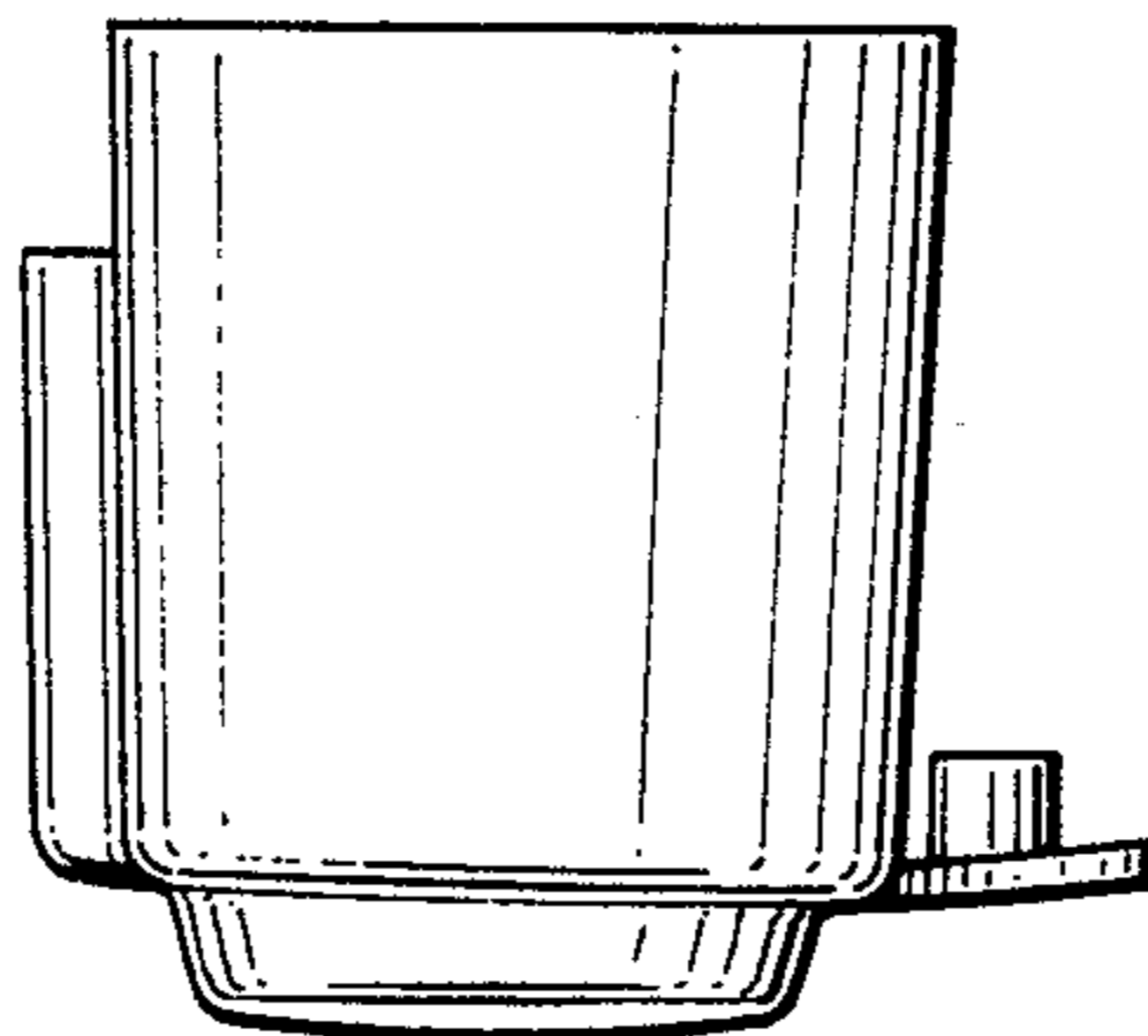


Fig. 7

