

United States Patent [19]

Smith et al.

[11] Patent Number: **Des. 291,187**

[45] Date of Patent: **** Aug. 4, 1987**

[54] BICYCLE

[75] Inventors: **Stephen W. Smith; Joel C. Cunard,**
both of Bedford, Pa.

[73] Assignee: **Hedstrom Corporation, Bedford, Pa.**

[**] Term: **14 Years**

[21] Appl. No.: **778,419**

[22] Filed: **Sep. 20, 1985**

[52] U.S. Cl. **D12/111**

[58] Field of Search **D12/111; D21/81;**
280/281 R, 281 B

[56]

References Cited

U.S. PATENT DOCUMENTS

D. 237,701 11/1975 Vachon D12/111
D. 245,002 7/1977 Carpenter et al. D12/111

Primary Examiner—James M. Gandy
Attorney, Agent, or Firm—Cesari and McKenna

[57]

CLAIM

The ornamental design for a bicycle, as shown.

DESCRIPTION

FIG. 1 is a right front quarter isometric view of a bicycle showing the new design;

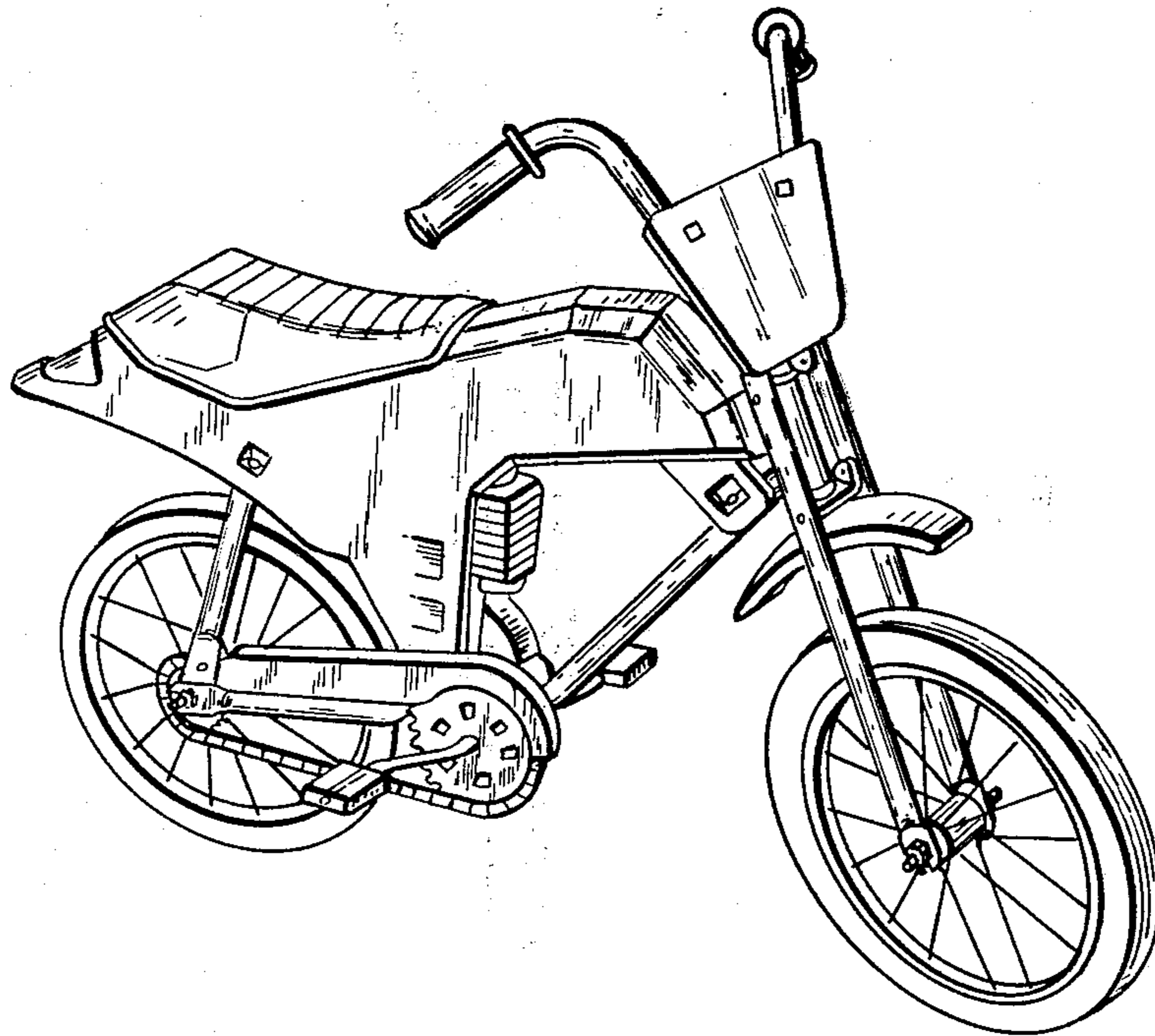
FIG. 2 is a front elevational view thereof;

FIG. 3 is a left side elevational view thereof;

FIG. 4 is a rear elevational view thereof;

FIG. 5 is a top plan view thereof; and

FIG. 6 is a bottom plan view thereof.



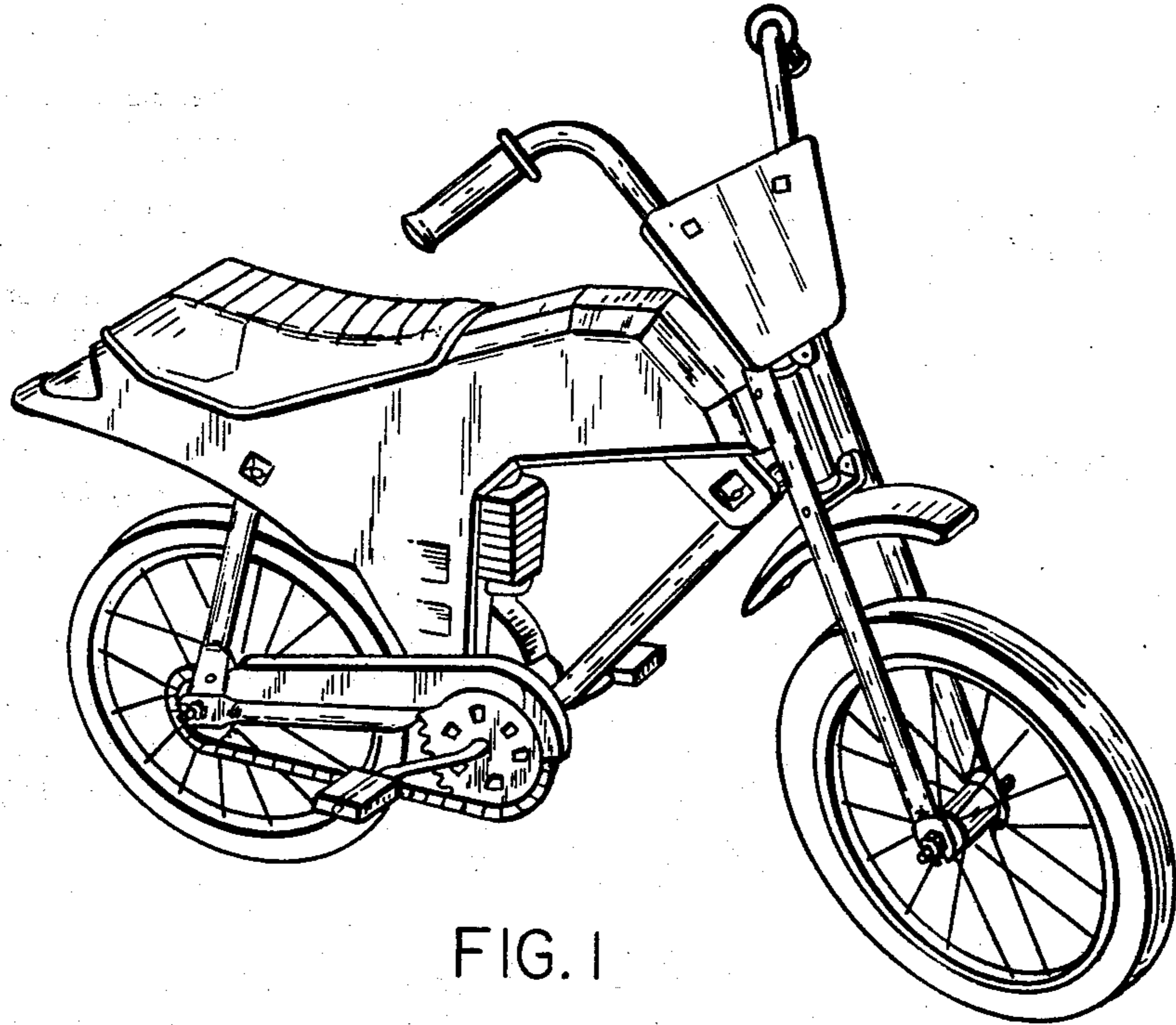


FIG. 1

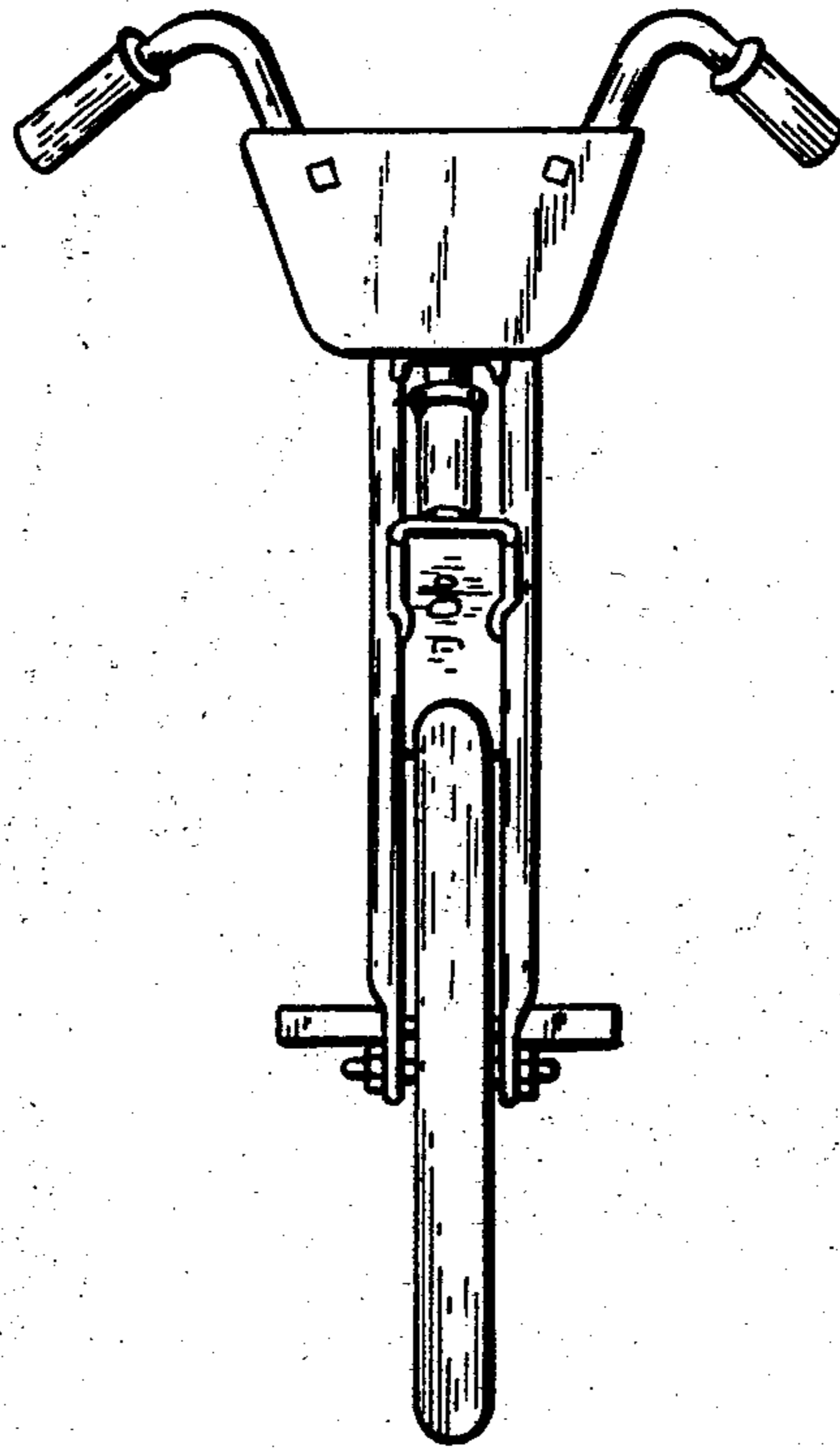


FIG. 2

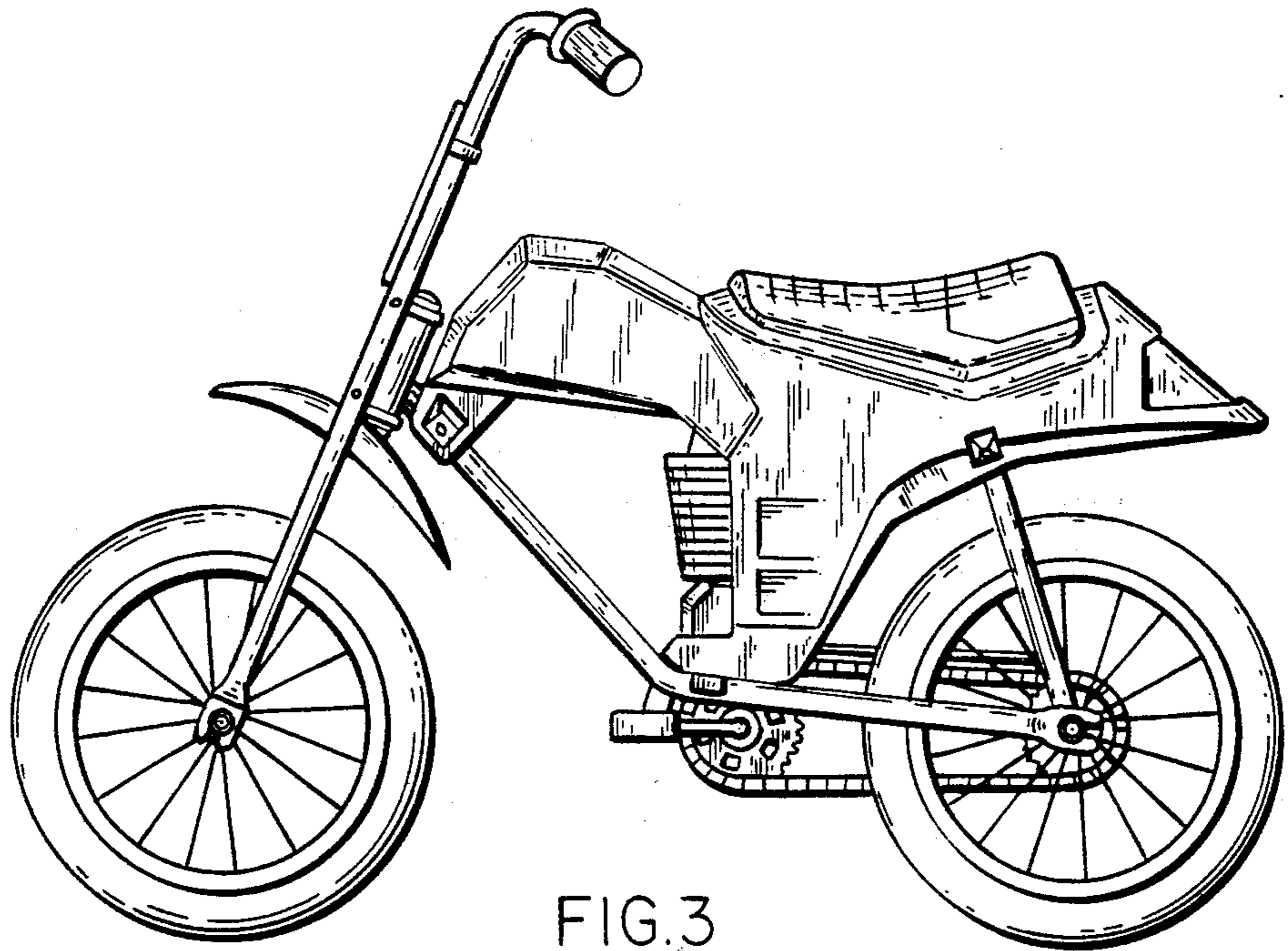


FIG.3

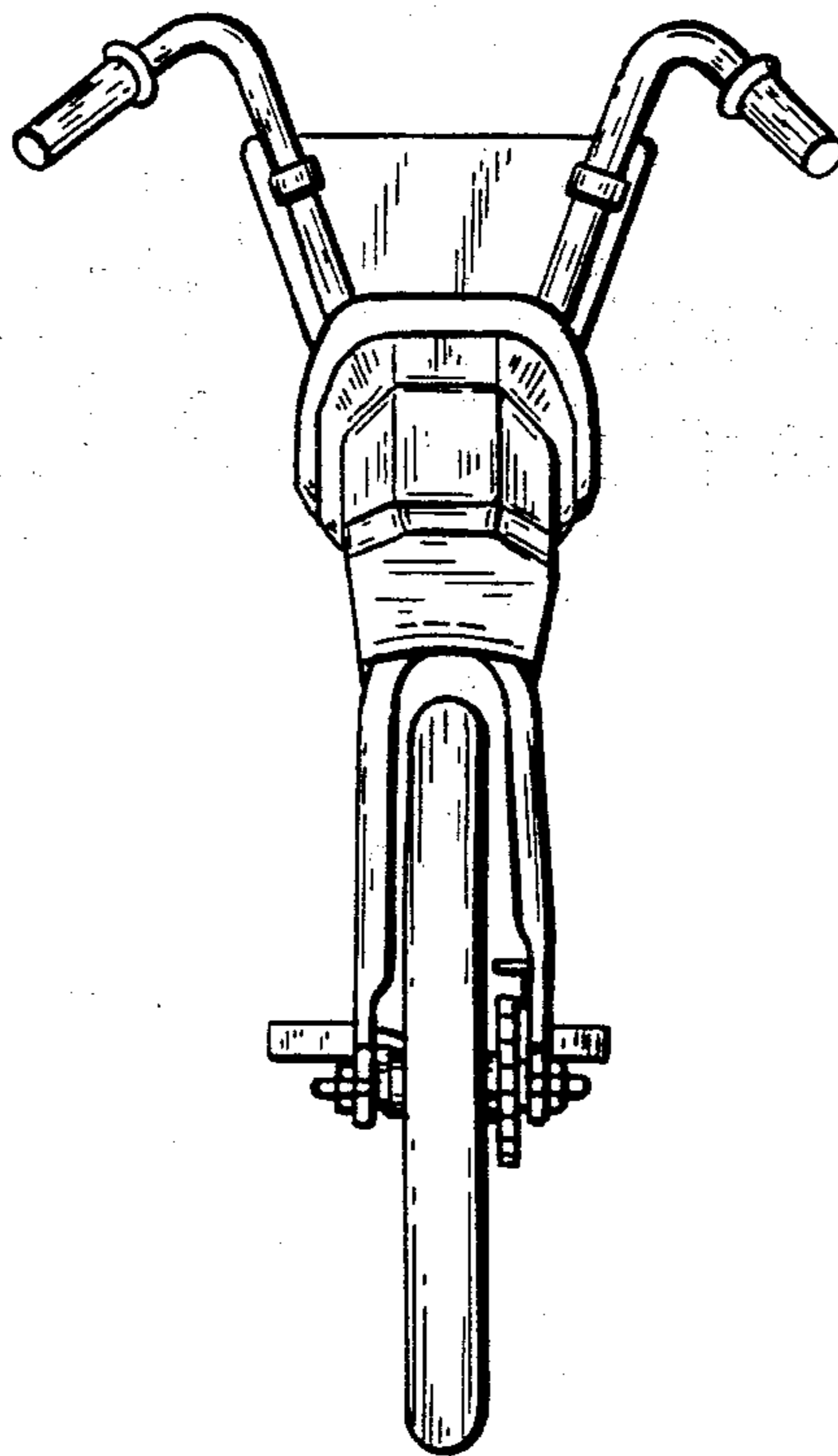


FIG.4

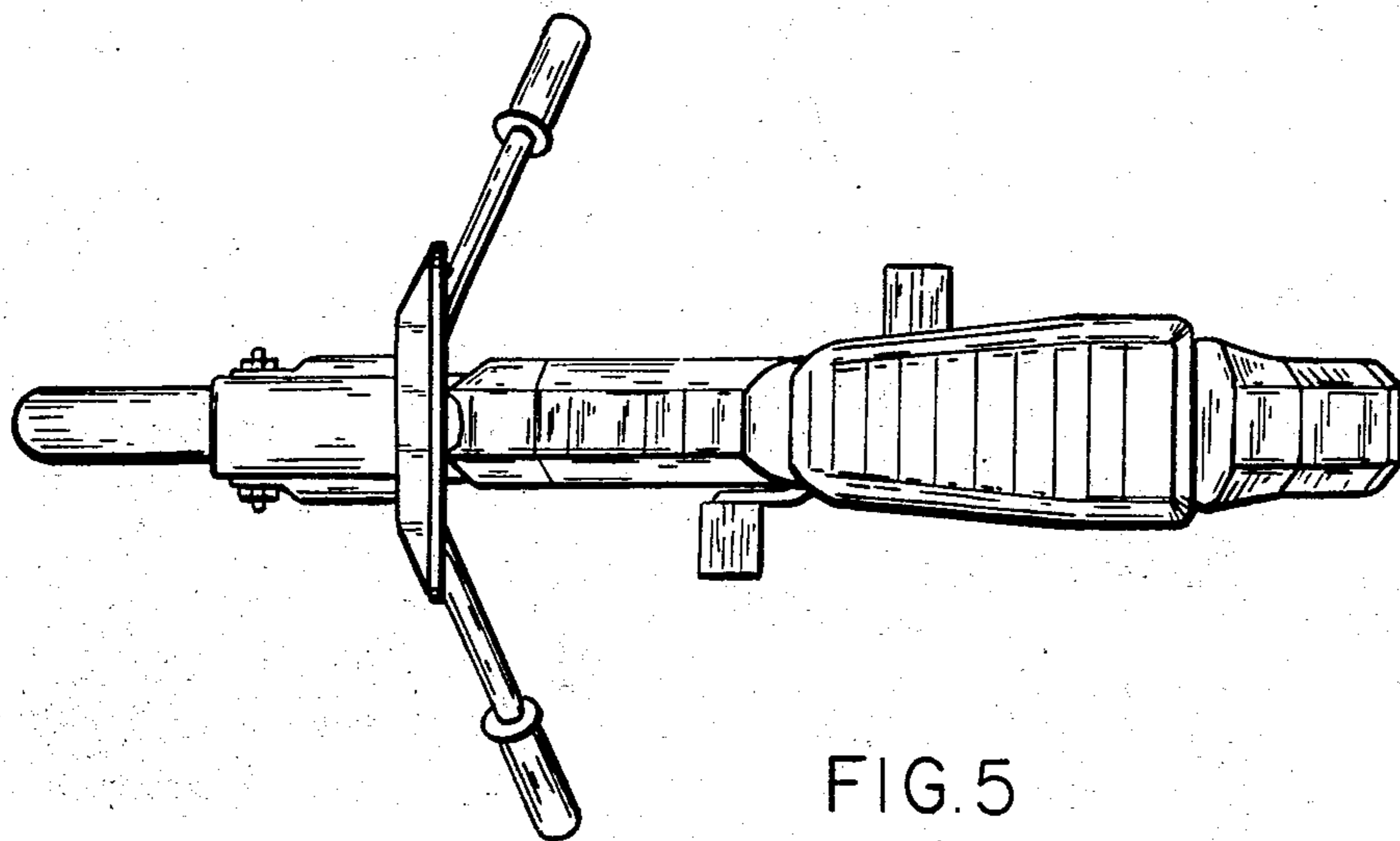


FIG. 5

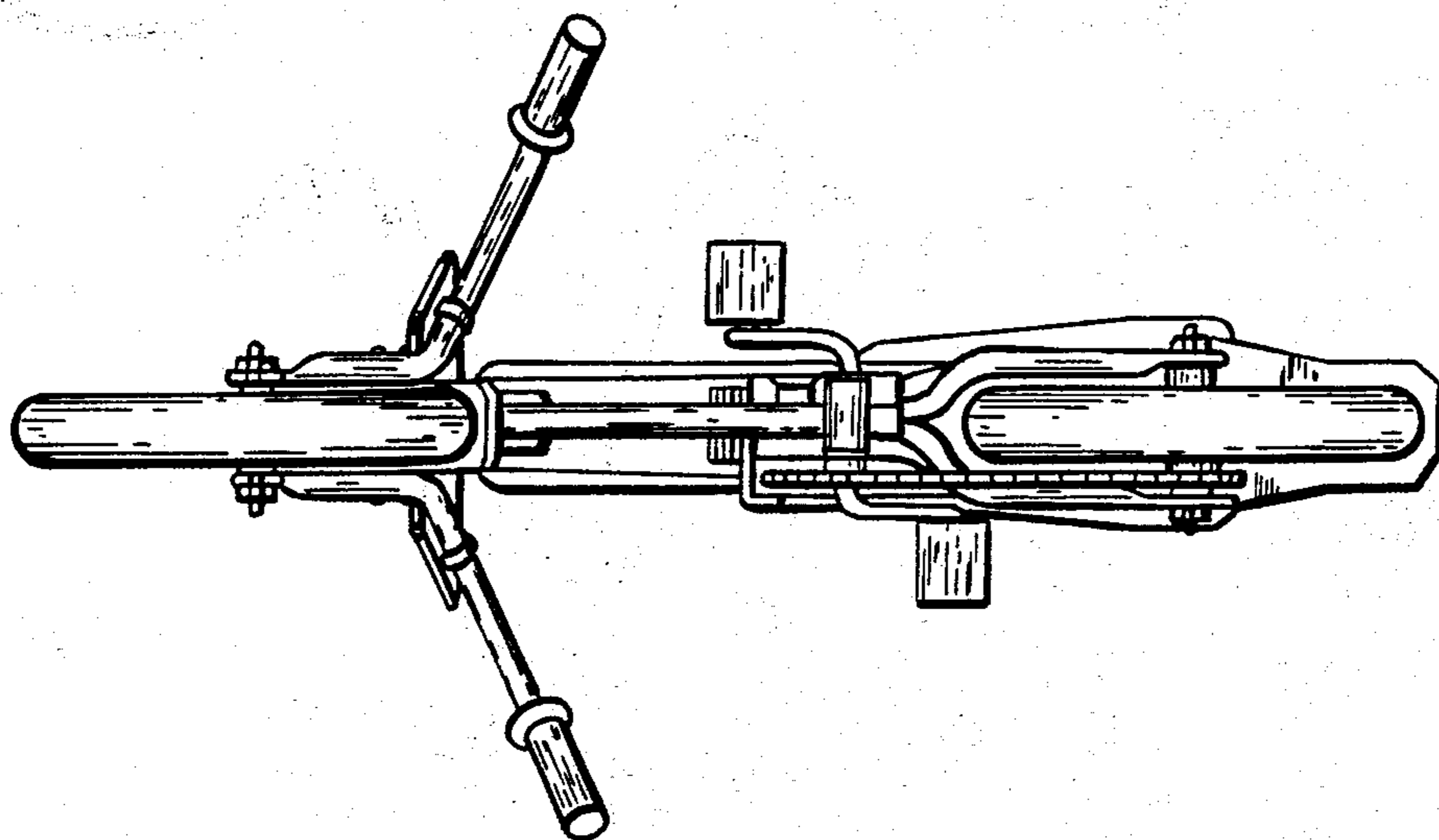


FIG. 6