

[54] **CLOCK CASING**

[76] **Inventor: Roy R. Cunningham, 20349 NE.  
Sandy Blvd., Troutdale, Oreg. 97060**

[\*\*] **Term: 14 Years**

[21] **Appl. No.: 701,041**

[22] **Filed: Feb. 12, 1985**

[52] **U.S. Cl. .... D10/128; D10/1;  
D10/21**

[58] **Field of Search ..... D10/1, 2, 21-26,  
D10/28-29, 122, 128-129; 368/276, 277, 280,  
285, 309, 316-317, 327**

[56] **References Cited**  
**U.S. PATENT DOCUMENTS**

D. 19,869	6/1890	Morgan	.....	D10/1
D. 41,967	12/1911	Walker	.....	D10/21
D. 74,428	2/1928	Goldfield	.....	D10/21 X
D. 82,866	12/1930	Whitehead	.....	D10/21
D. 192,524	4/1962	Feity	.....	D10/21 X

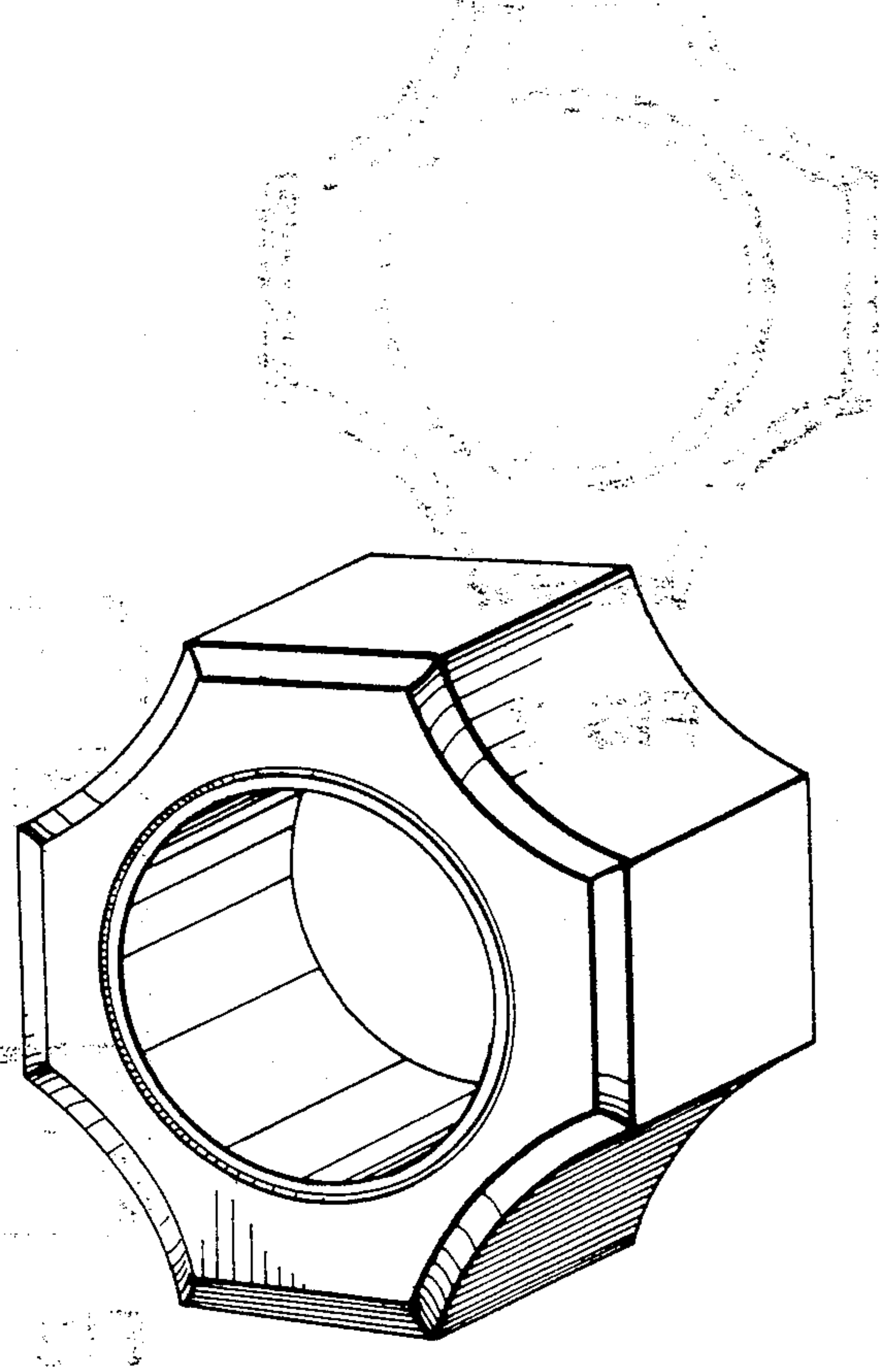
*Primary Examiner*—Nelson C. Holtje  
*Attorney, Agent, or Firm*—George H. Dunsmuir

[57] **CLAIM**

The ornamental design for a clock casing, as shown and described.

**DESCRIPTION**

FIG. 1 is a front and top-right perspective view of a clock casing showing my new design;  
FIG. 2 is a rear elevational view thereof;  
FIG. 3 is a left side elevational view thereof.



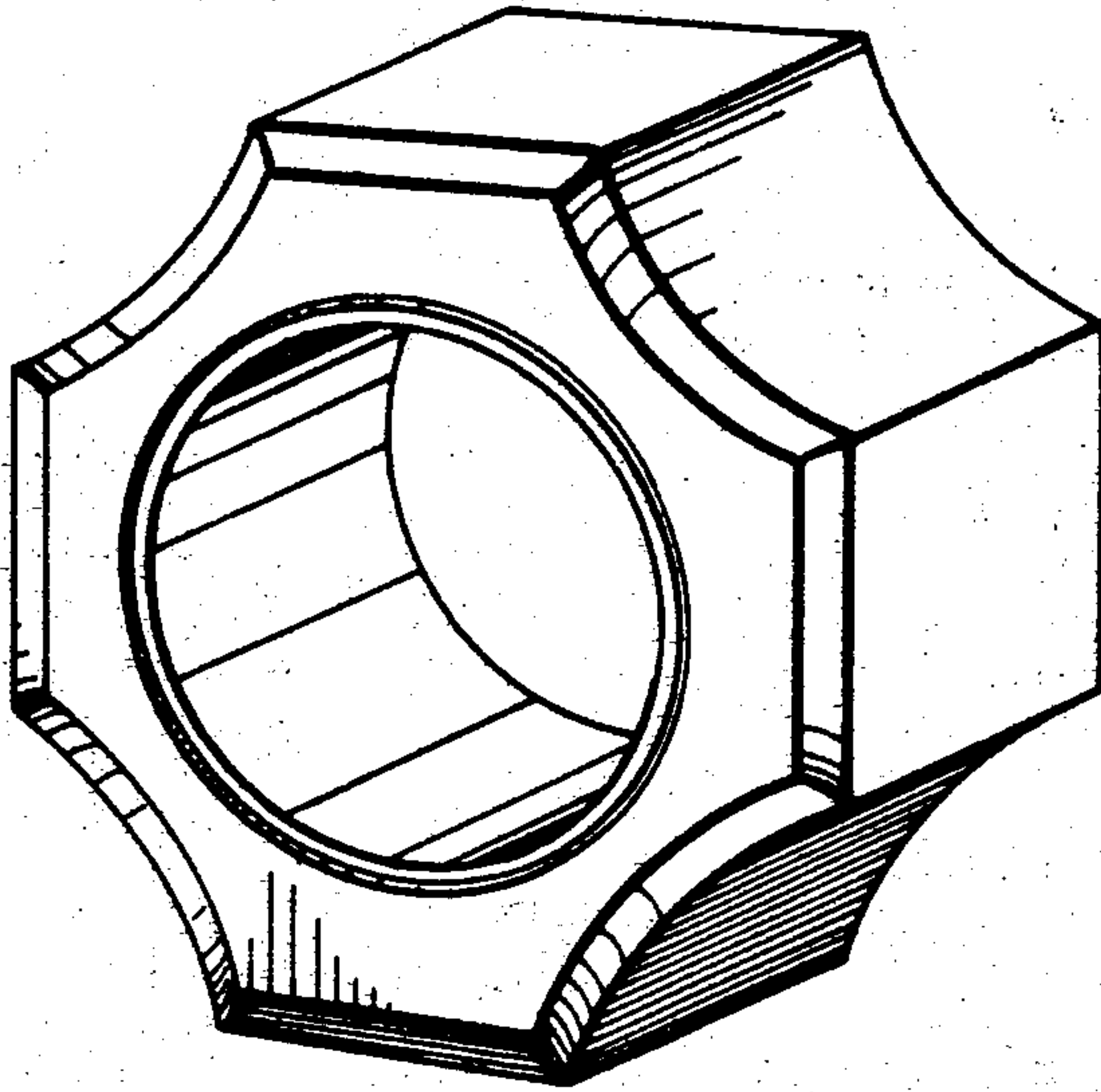


FIG. 1

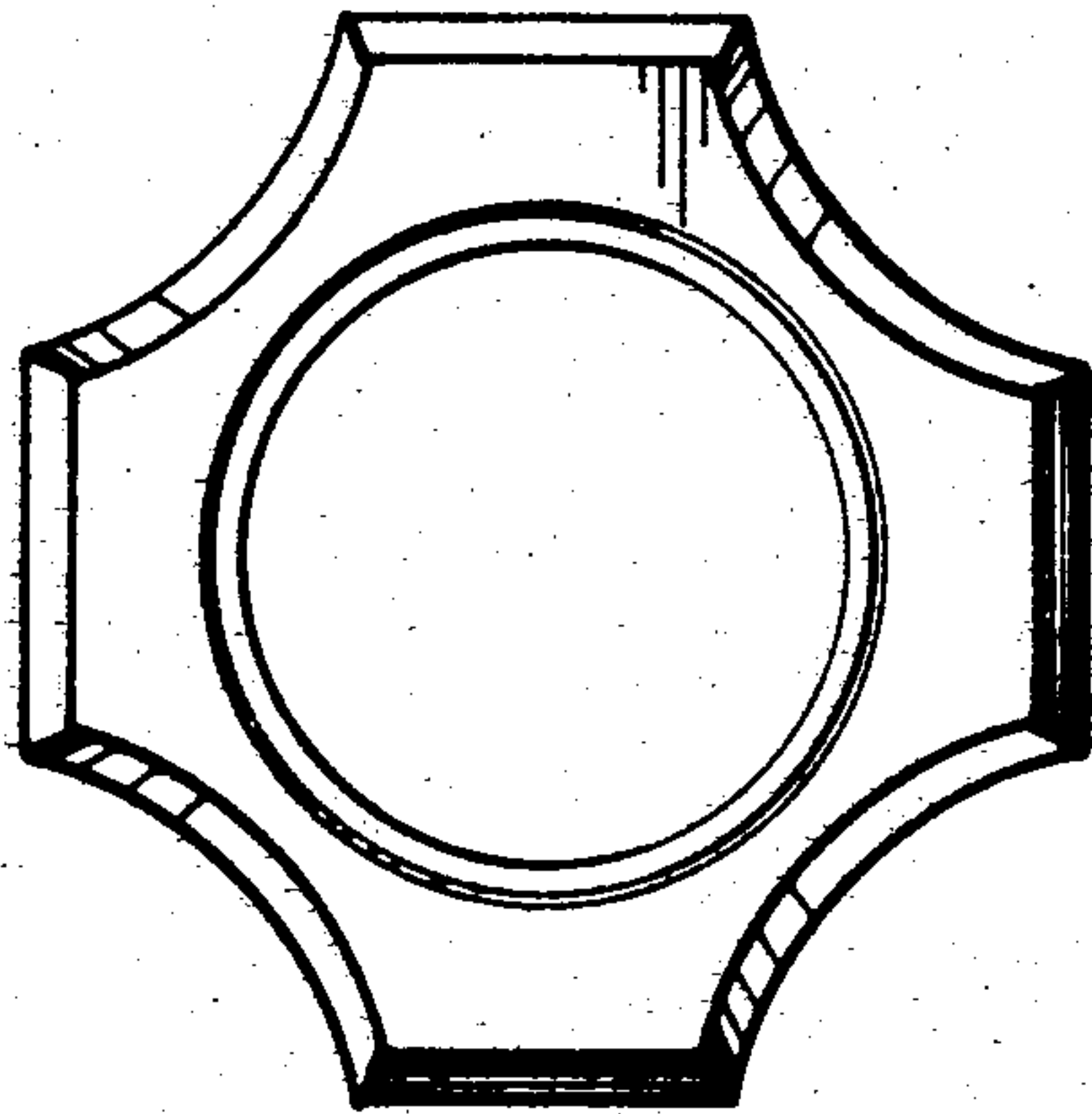


FIG. 2

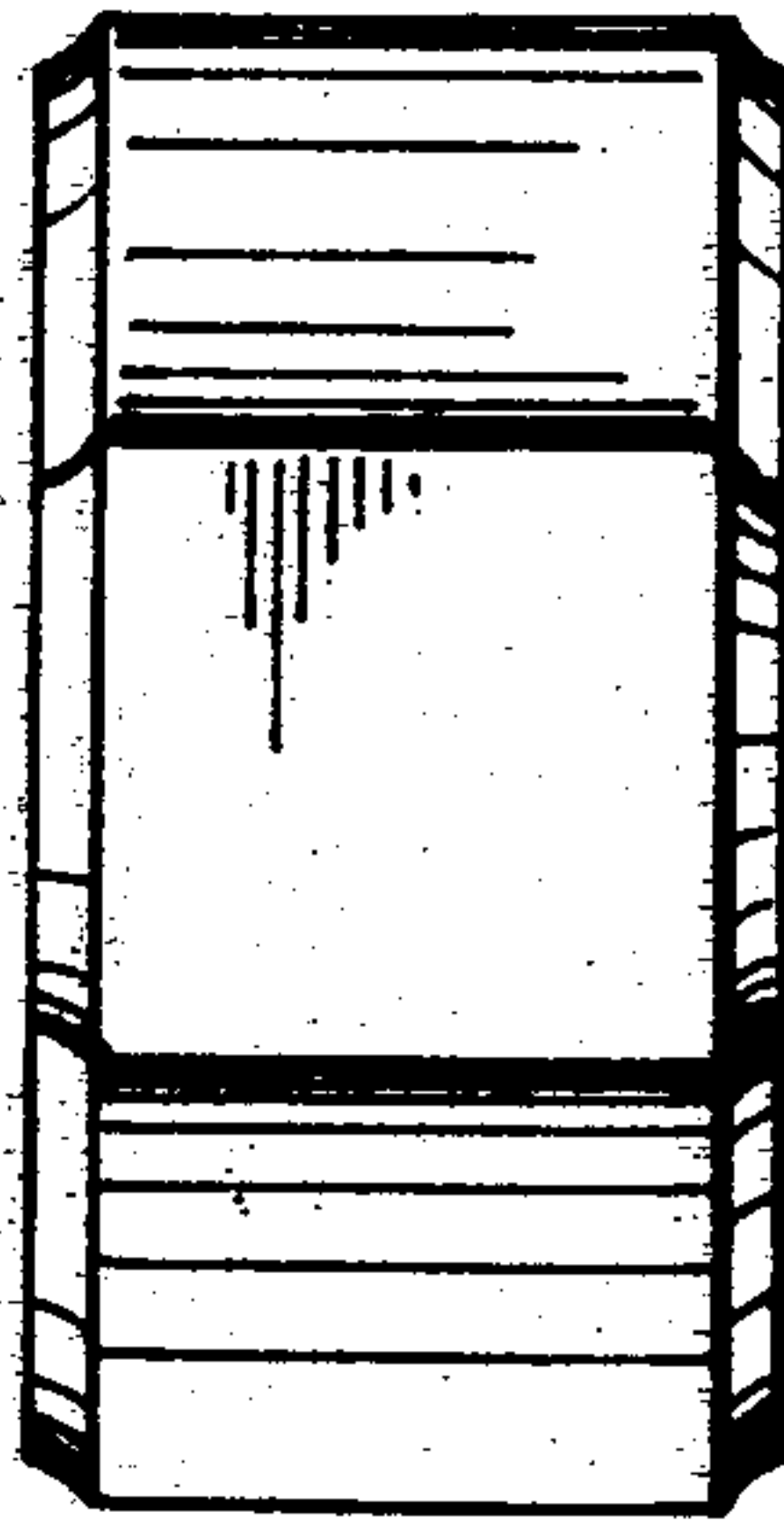


FIG. 3