

[54] **LID FOR A CONTAINER**
 [75] **Inventor: John D. Messenger, Swindon, England**
 [73] **Assignee: Metal Box p.l.c., United Kingdom**
 [*] **Notice: The portion of the term of this patent subsequent to Jul. 5, 1997 has been disclaimed.**
 [**] **Term: 14 Years**
 [21] **Appl. No.: 627,988**
 [22] **Filed: Jul. 5, 1984**
 [52] **U.S. Cl. D9/454**
 [58] **Field of Search D9/454, 435, 452, 453; D7/17, 40; 220/306, 220; 215/317, 200, 333, 316, 44; 229/2.5 R, 43**

4,293,080 10/1981 Letica 220/306
 4,300,700 11/1981 Chang 229/43

FOREIGN PATENT DOCUMENTS

995299 10/1980 United Kingdom .
 1006860 2/1983 United Kingdom .
 1006861 2/1983 United Kingdom .
 1006862 2/1983 United Kingdom .

Primary Examiner—Robert C. Spangler
Attorney, Agent, or Firm—Diller, Ramik & Wight

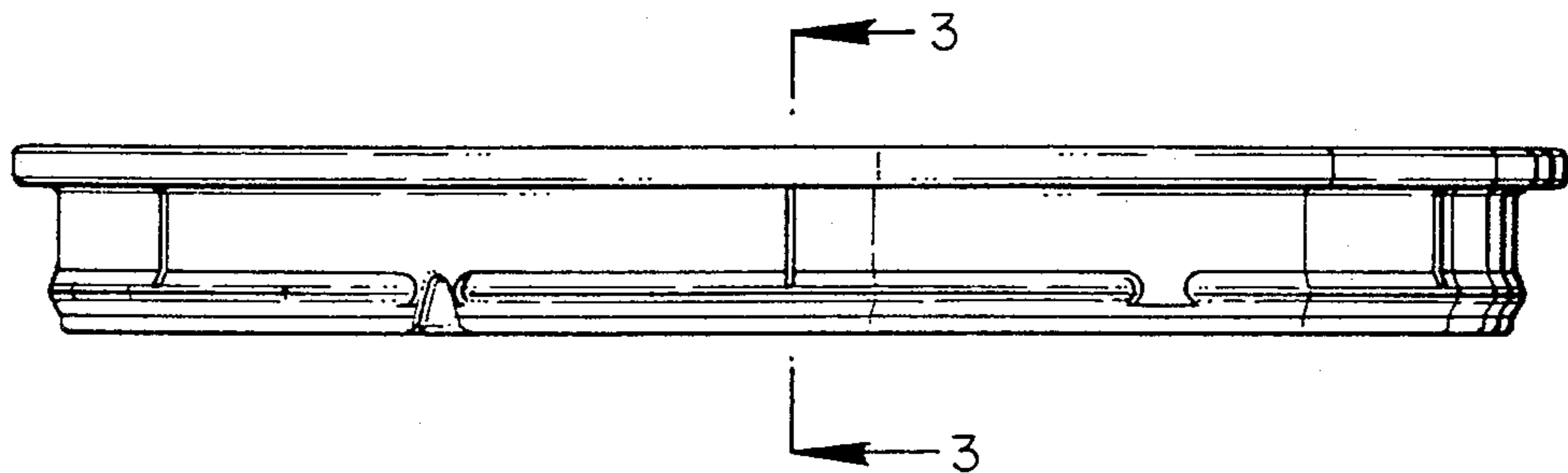
[57] **CLAIM**

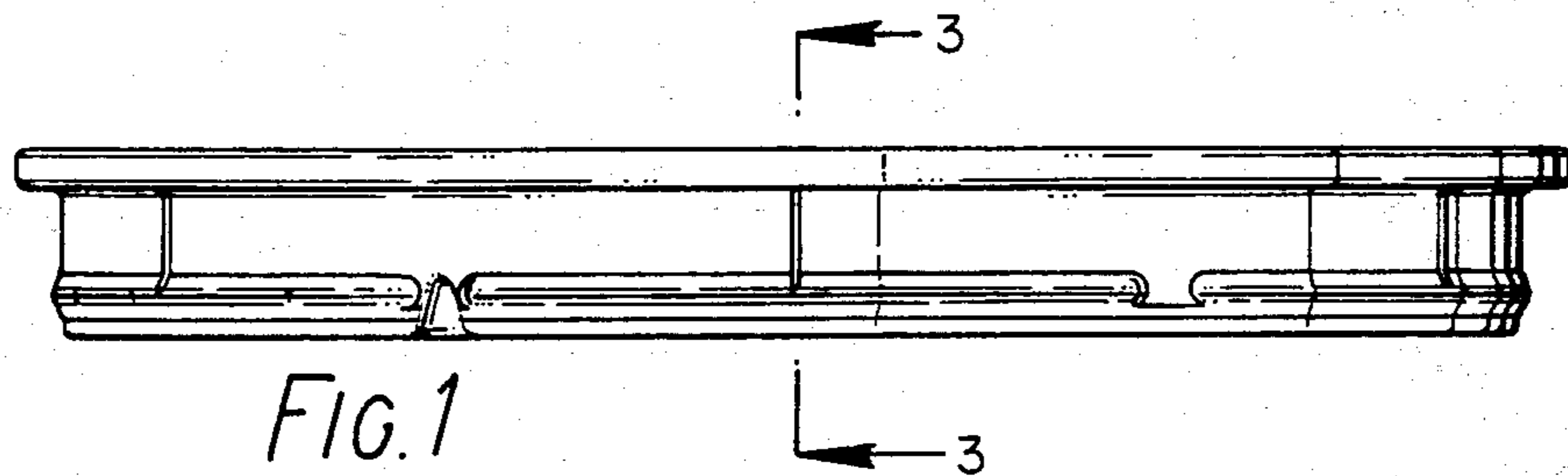
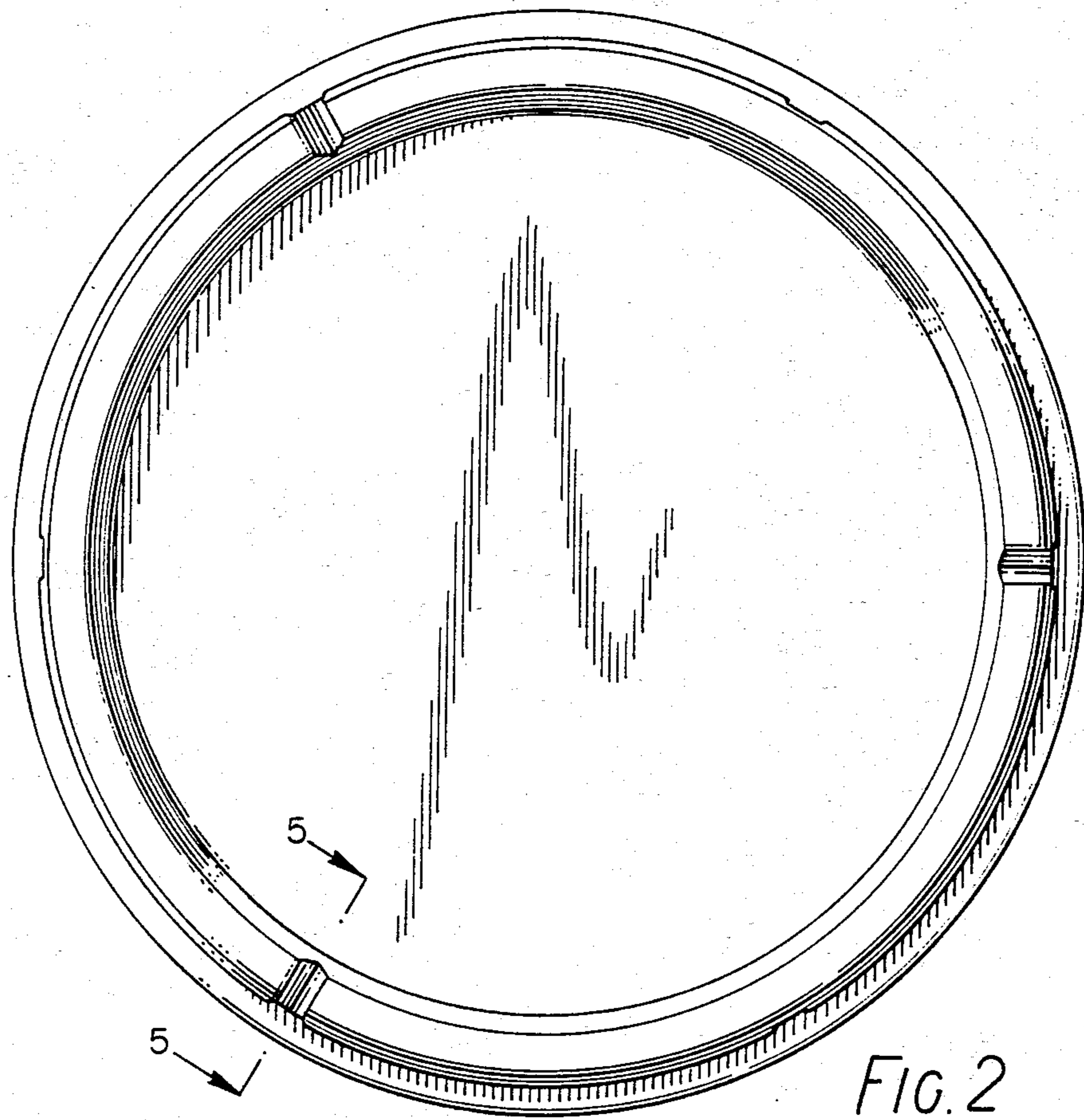
The ornamental design for a lid for a container, substantially as shown and described.

DESCRIPTION

FIG. 1 is a elevational view of a lid for a container showing my new design;
 FIG. 2 is a bottom plan view;
 FIG. 3 is a fragmentary, enlarged sectional view taken on the line 3—3 of FIG. 2;
 FIG. 4 is a top plan view;
 FIG. 5 is a fragmentary, enlarged sectional view taken on the line 5—5 of FIG. 2; and
 FIG. 6 is a fragmentary, enlarged sectional view taken on the line 6—6 of FIG. 5.

[56] **References Cited**
U.S. PATENT DOCUMENTS
 D. 206,547 12/1966 Swett D7/40 X
 D. 243,231 2/1977 Smith D7/40 X
 D. 258,576 3/1981 Smith D9/452
 D. 269,597 7/1983 Harries D9/454
 3,482,725 12/1969 Exton D9/454 X





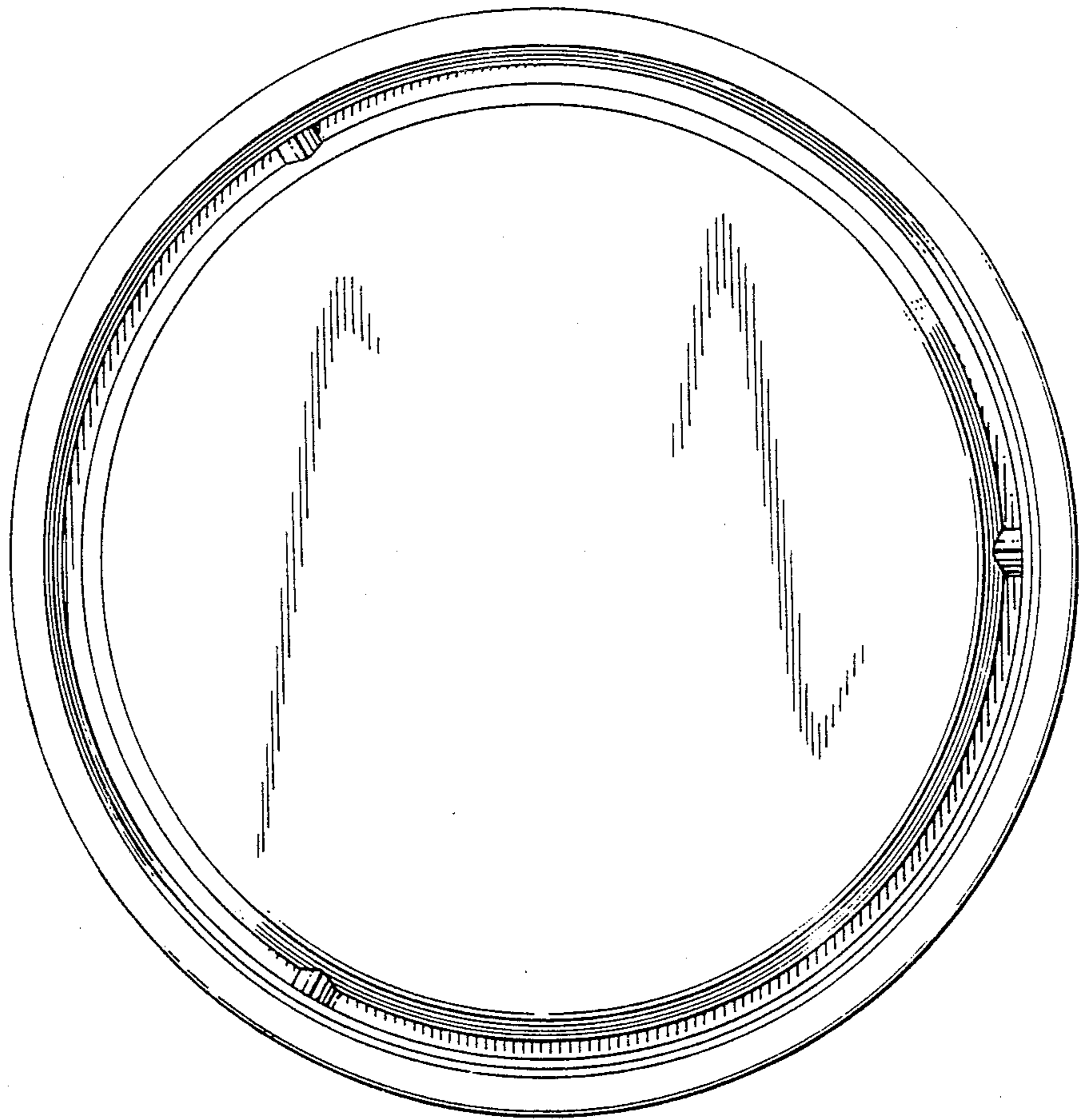


FIG. 4

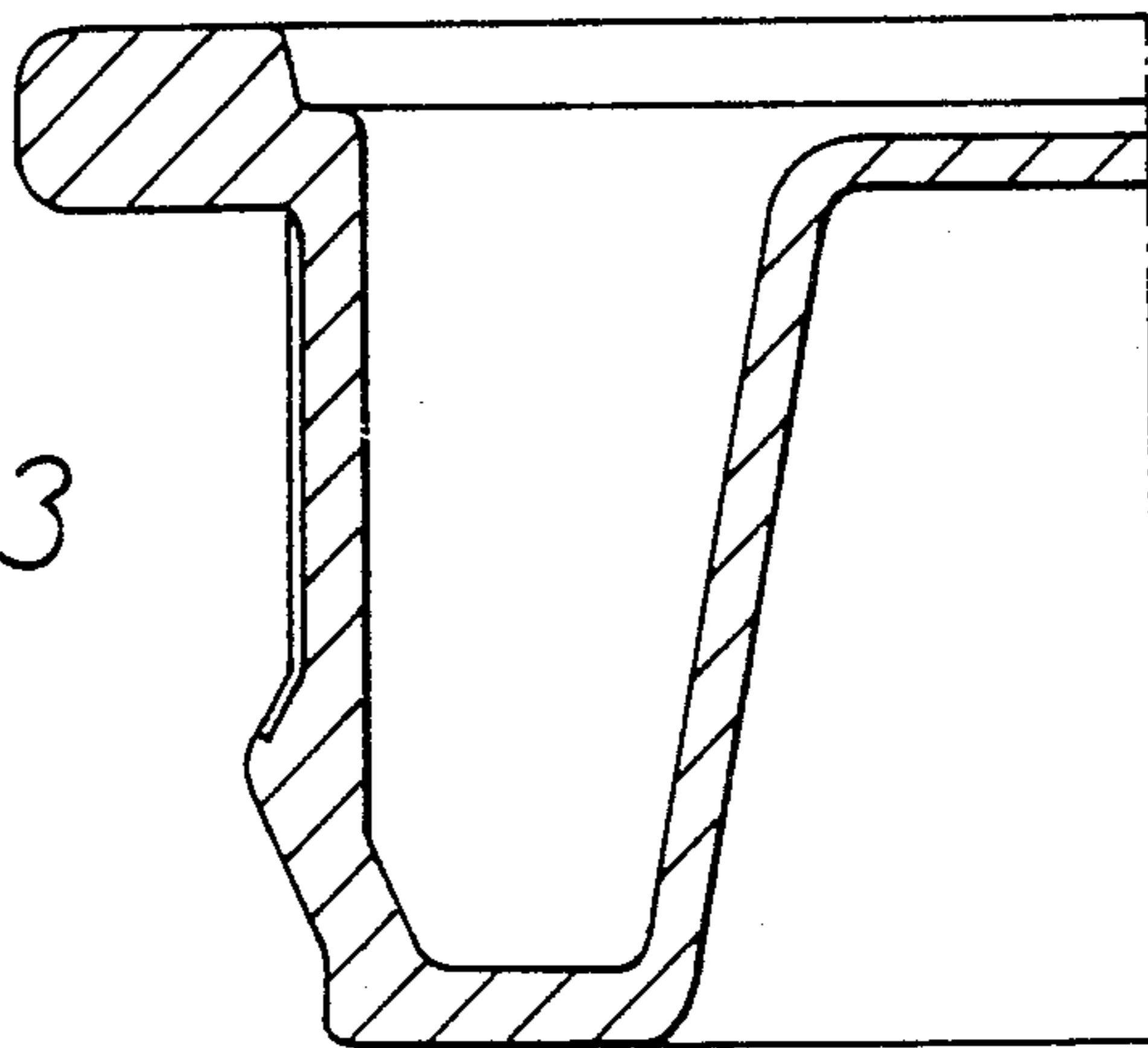


FIG. 3

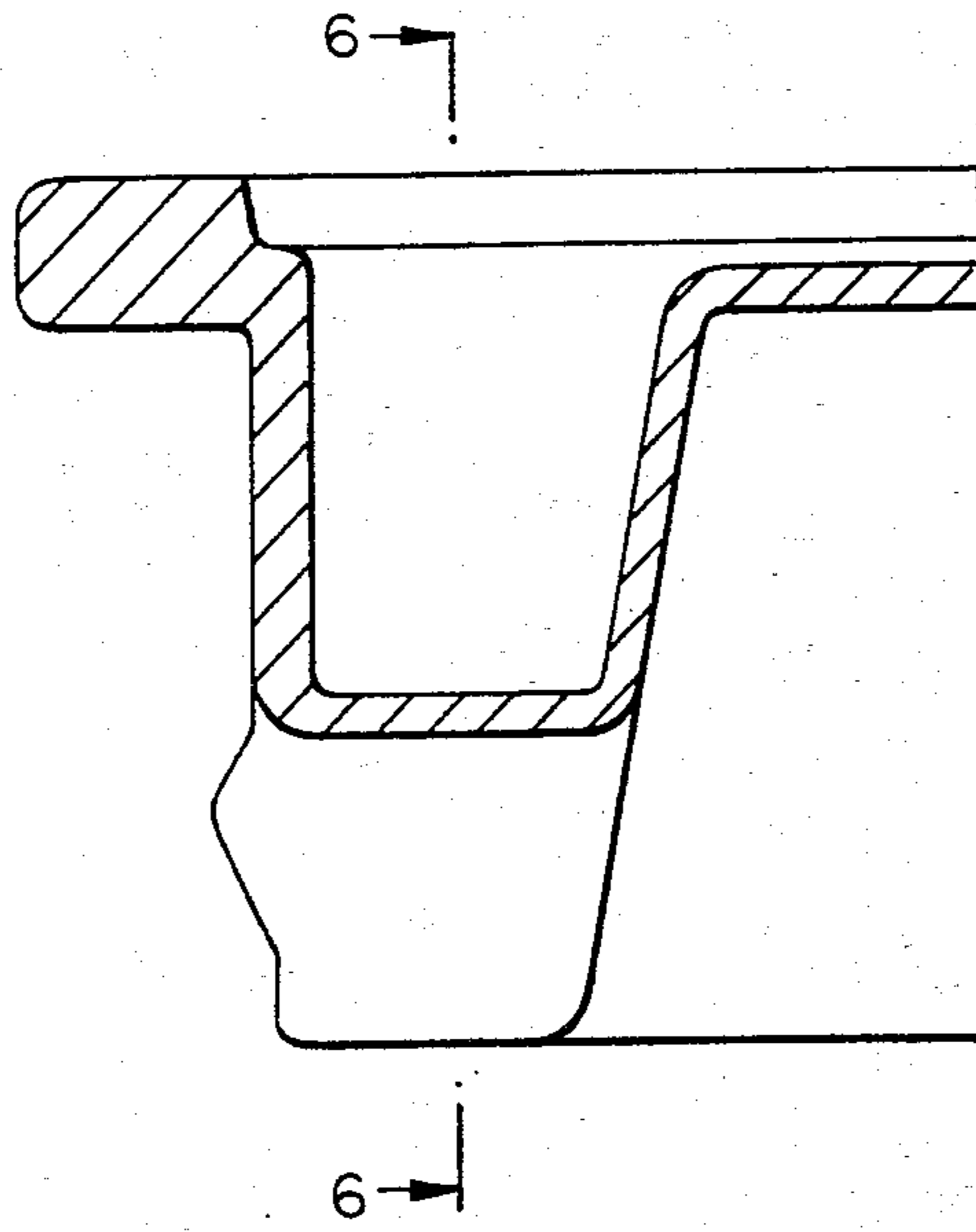


FIG. 5

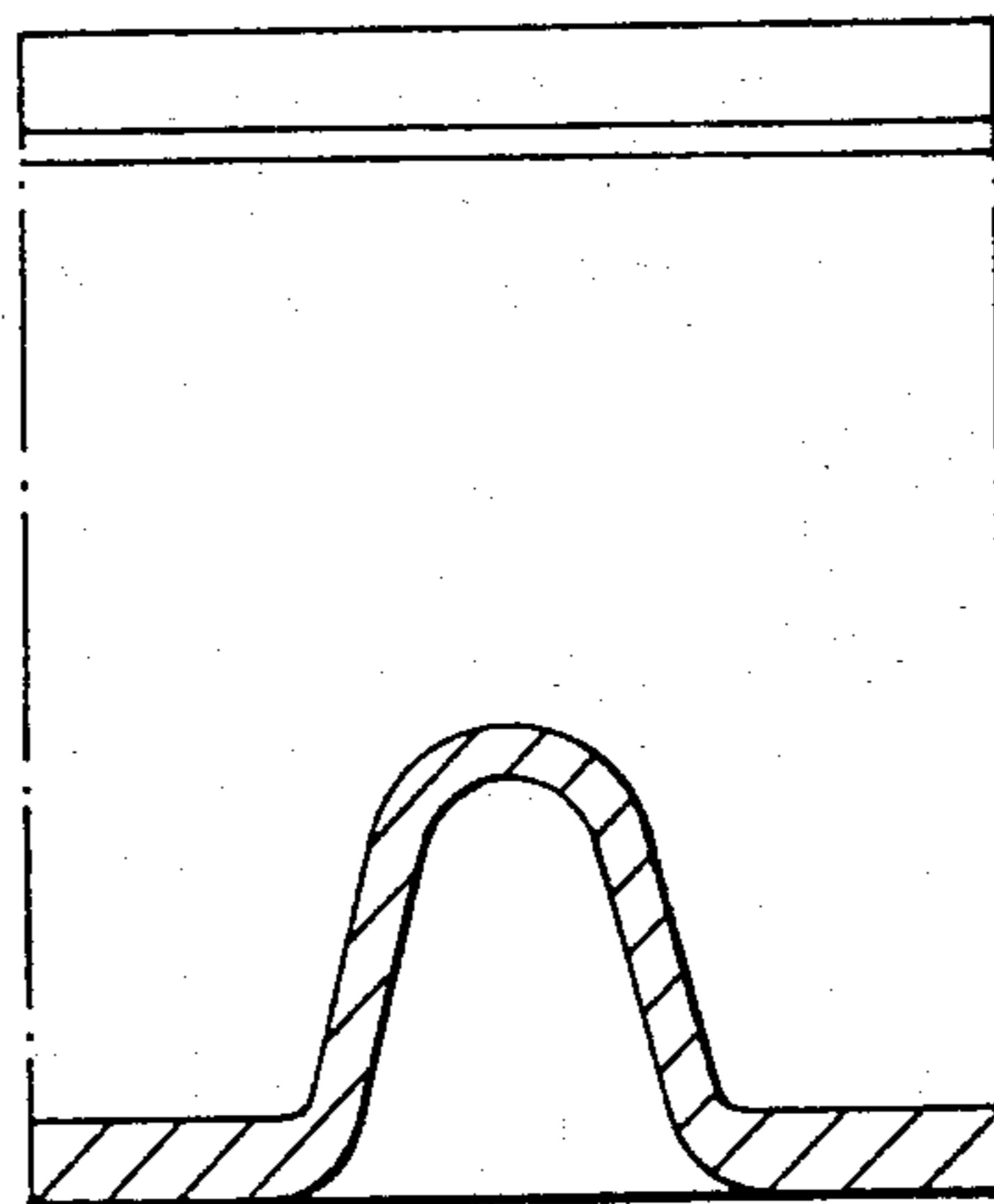


FIG. 6