

[54] **PERFUME BOTTLE**

[76] **Inventor: Maud Frizon, 40 E. 94th St., New York, N.Y. 10028**

[**] **Term: 14 Years**

[21] **Appl. No.: 664,053**

[22] **Filed: Oct. 23, 1984**

[52] **U.S. Cl. D9/371; D9/352**

[58] **Field of Search D9/371, 372, 352, 384, D9/385, 386, 439, 302; 215/1 R, 1 C, 33, 355**

[56] **References Cited**

U.S. PATENT DOCUMENTS

D. 62,858 8/1923 Weeks D9/385 X

D. 105,298 7/1937 Ogden D9/371
D. 202,299 9/1965 De Karr D9/371
D. 222,124 10/1971 Courreges D9/349
3,236,417 2/1966 Linton D9/302 X

*Primary Examiner—Robert C. Spangler
Attorney, Agent, or Firm—Bruns and Wall*

[57] **CLAIM**

The ornamental design for a perfume bottle, substantially as shown and described.

DESCRIPTION

FIG. 1 is an elevational view of a perfume bottle showing my new design;
FIG. 2 is a top plan view;
FIG. 3 is a bottom perspective view; and
FIG. 4 is a bottom plan view.

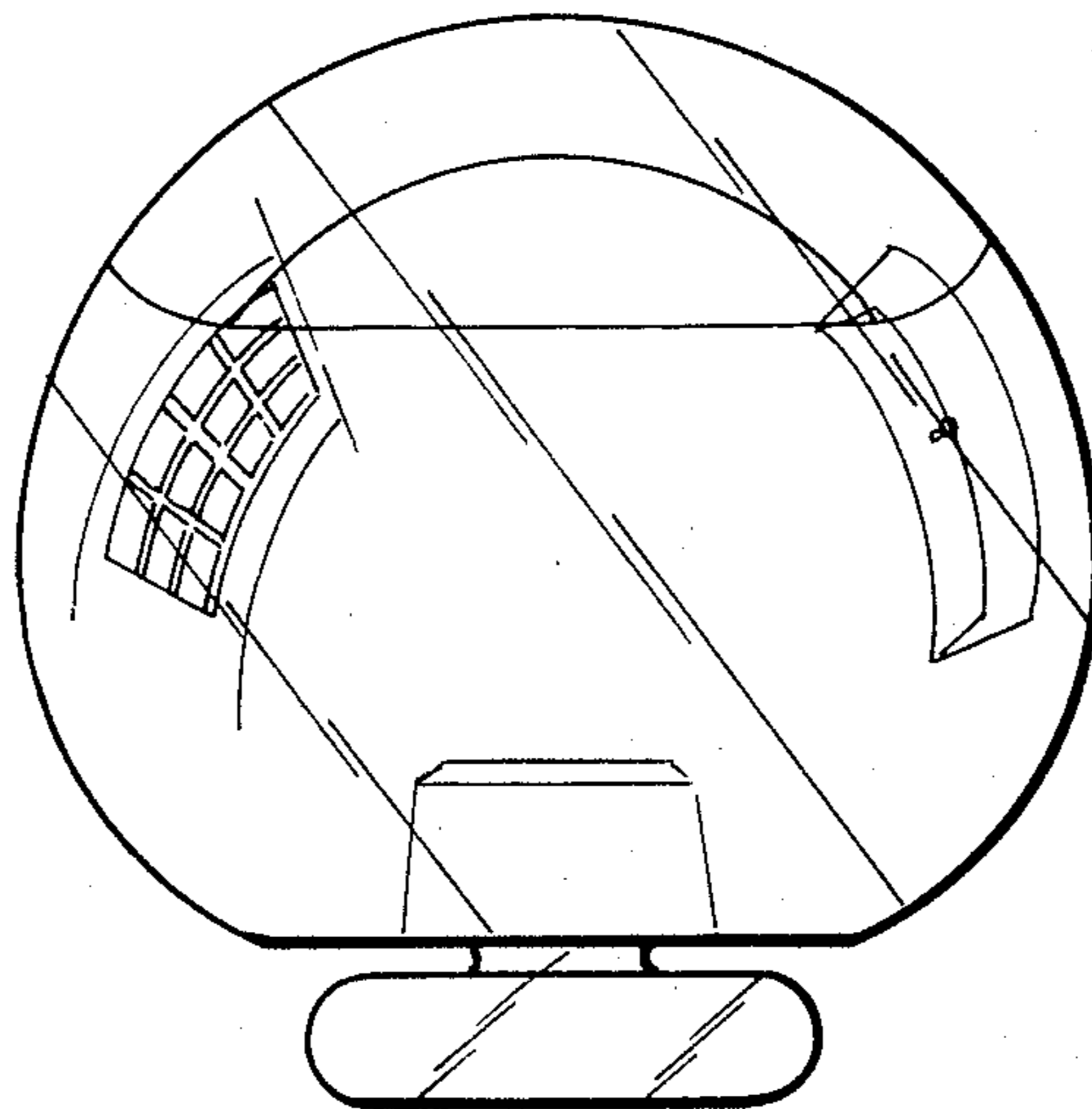


FIG. 1

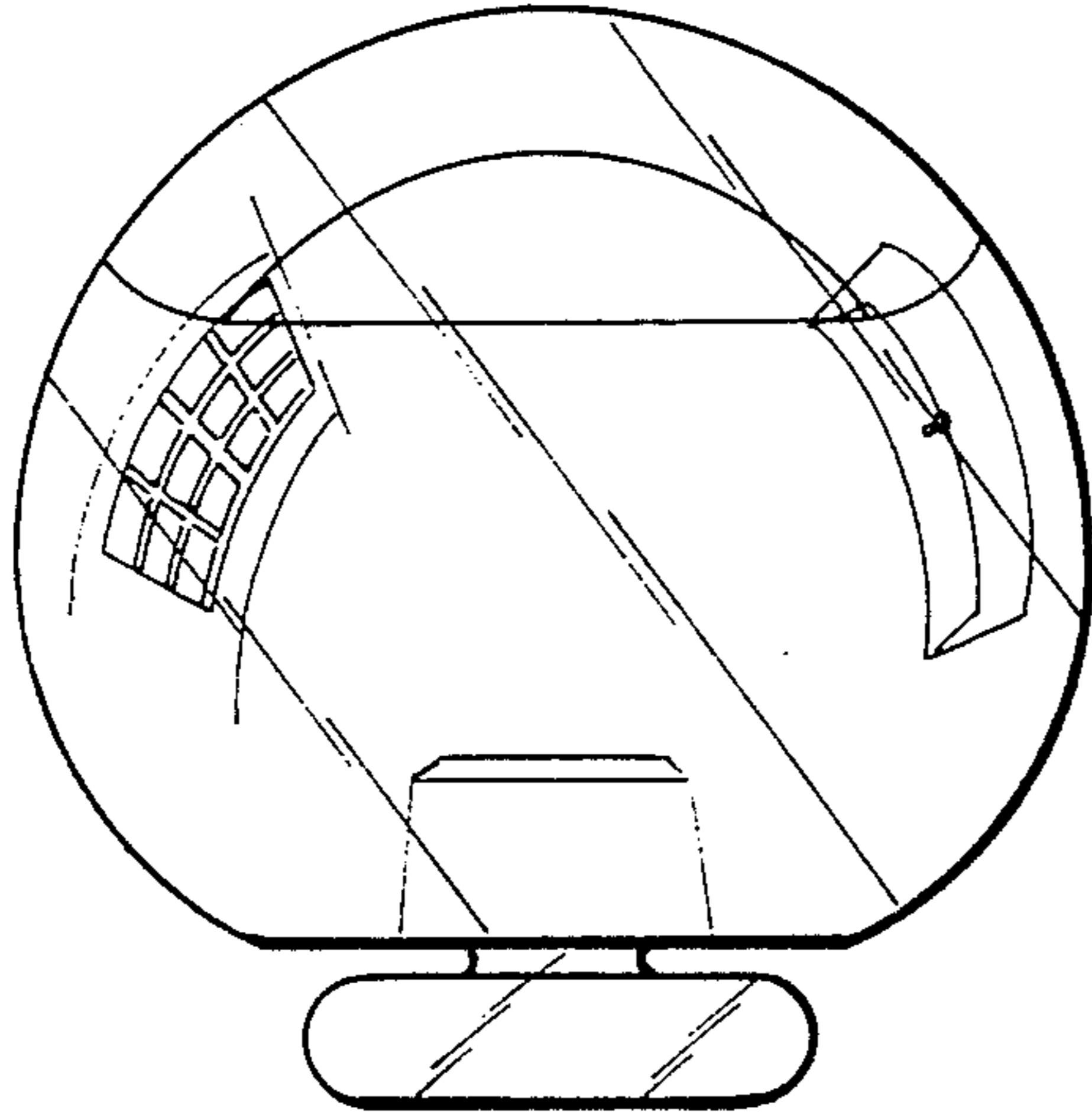


FIG. 2

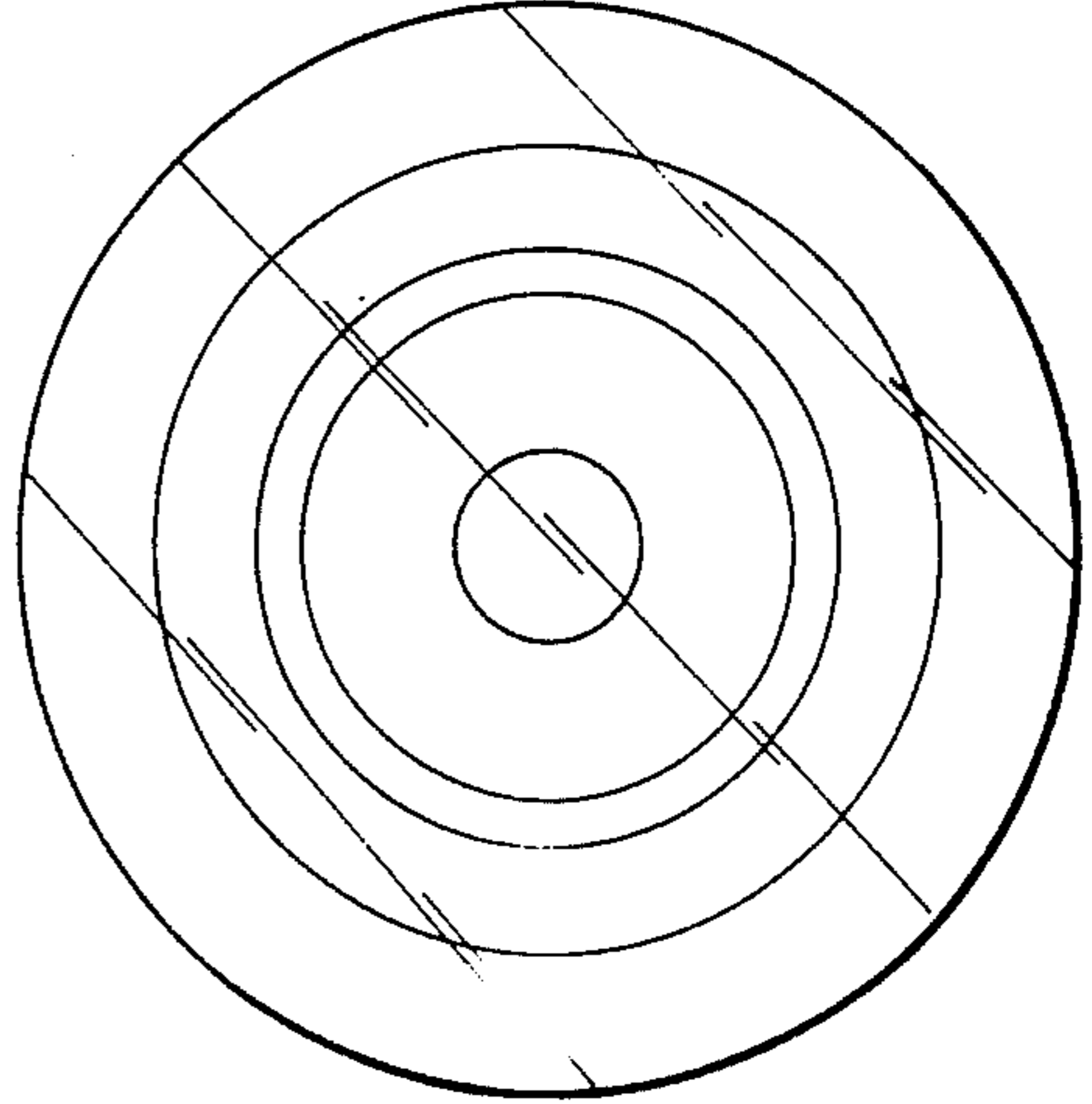


FIG. 3

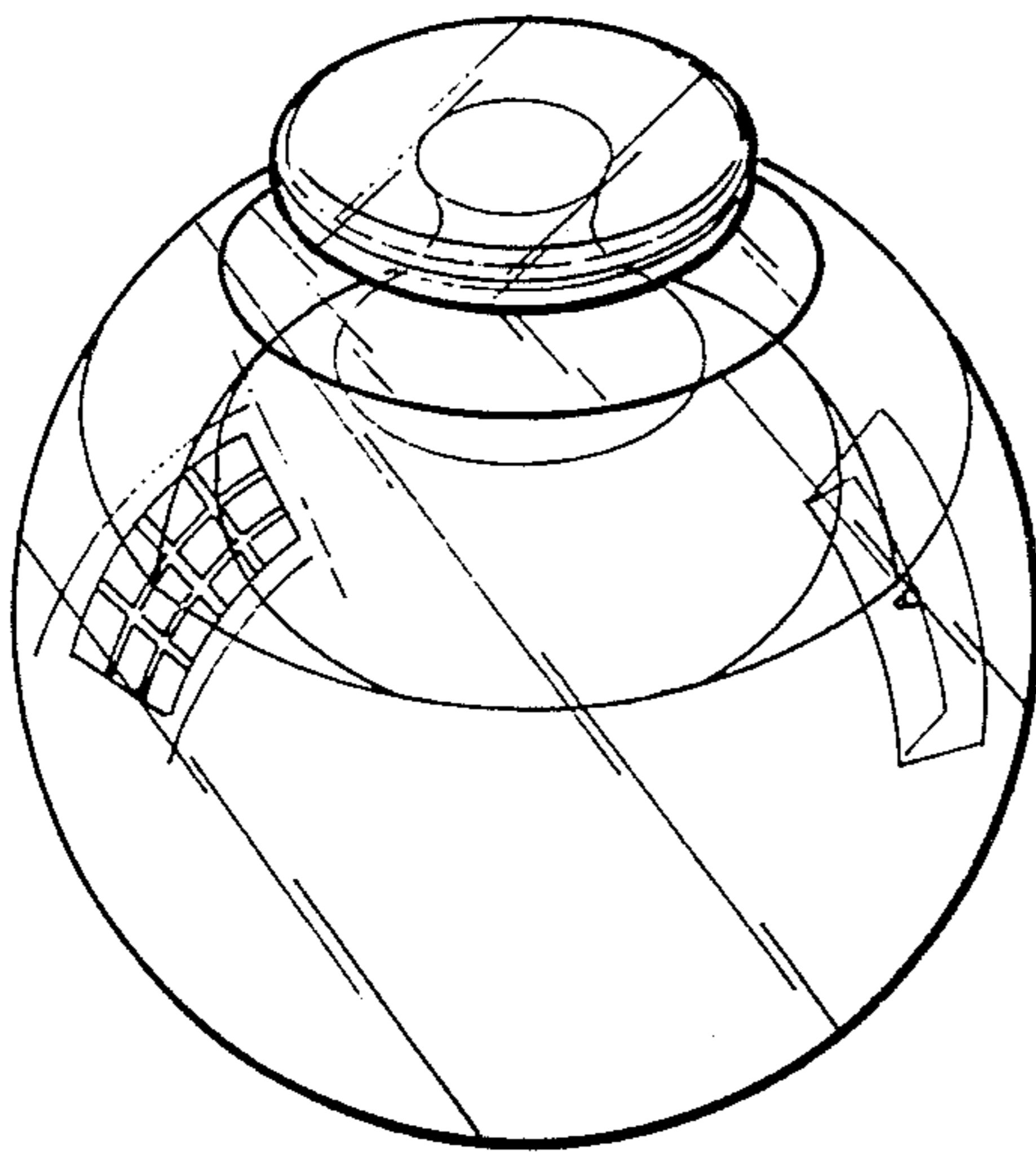


FIG. 4

