

[54] CONTAINER INTERIOR

3,131,846 5/1964 Whiteford D9/341 X
3,142,133 7/1964 Brooks D9/341

[75] Inventor: Maxwell H. Toms, Maribyrnong, Australia

Primary Examiner—Robert C. Spangler
Attorney, Agent, or Firm—Roylance, Abrams, Berdo & Goodman

[73] Assignee: The Commonwealth of Australia, Canberra, Australia

[**] Term: 14 Years

[57] CLAIM

[21] Appl. No.: 631,798

The ornamental design for a container interior, as shown and described.

[22] Filed: Jul. 17, 1984

DESCRIPTION

[30] Foreign Application Priority Data

Jan. 20, 1984 [AU] Australia 6312/84

FIG. 1 is a perspective view of a top half of a container interior showing my new design;

[52] U.S. Cl. D9/345; D9/424

FIG. 2 is a perspective view of the bottom half;

[58] Field of Search D9/341, 345, 424, 426; 229/2.5 EC, 44 EC, 45 EC

FIG. 3 is a plan view of the top half;

FIG. 4 is an enlarged, fragmentary sectional view taken on the line B—B of FIG. 4;

[56] References Cited

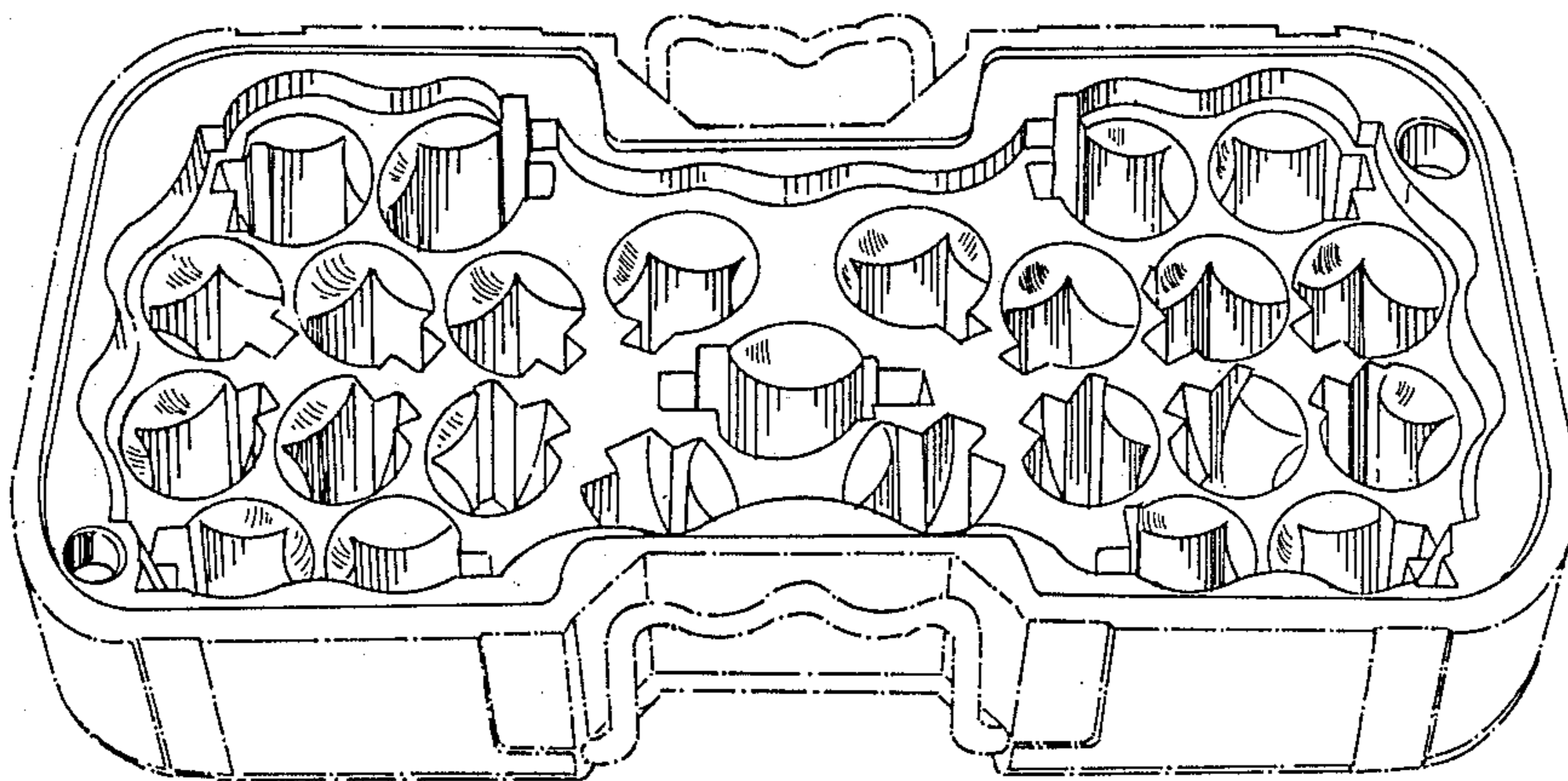
U.S. PATENT DOCUMENTS

- D. 269,249 6/1983 Cillario D9/424
- D. 274,358 6/1984 Knez et al. D9/424 X
- D. 283,103 3/1986 Cushing et al. D9/345

FIG. 5 is an enlarged, fragmentary sectional view taken on line A—A of FIG. 6; and

FIG. 6 is a plan view of the bottom half.

The dash lines in FIGS. 1, 2, 3 and 6 showing the exterior of a container are for the purpose of showing environmental use only.



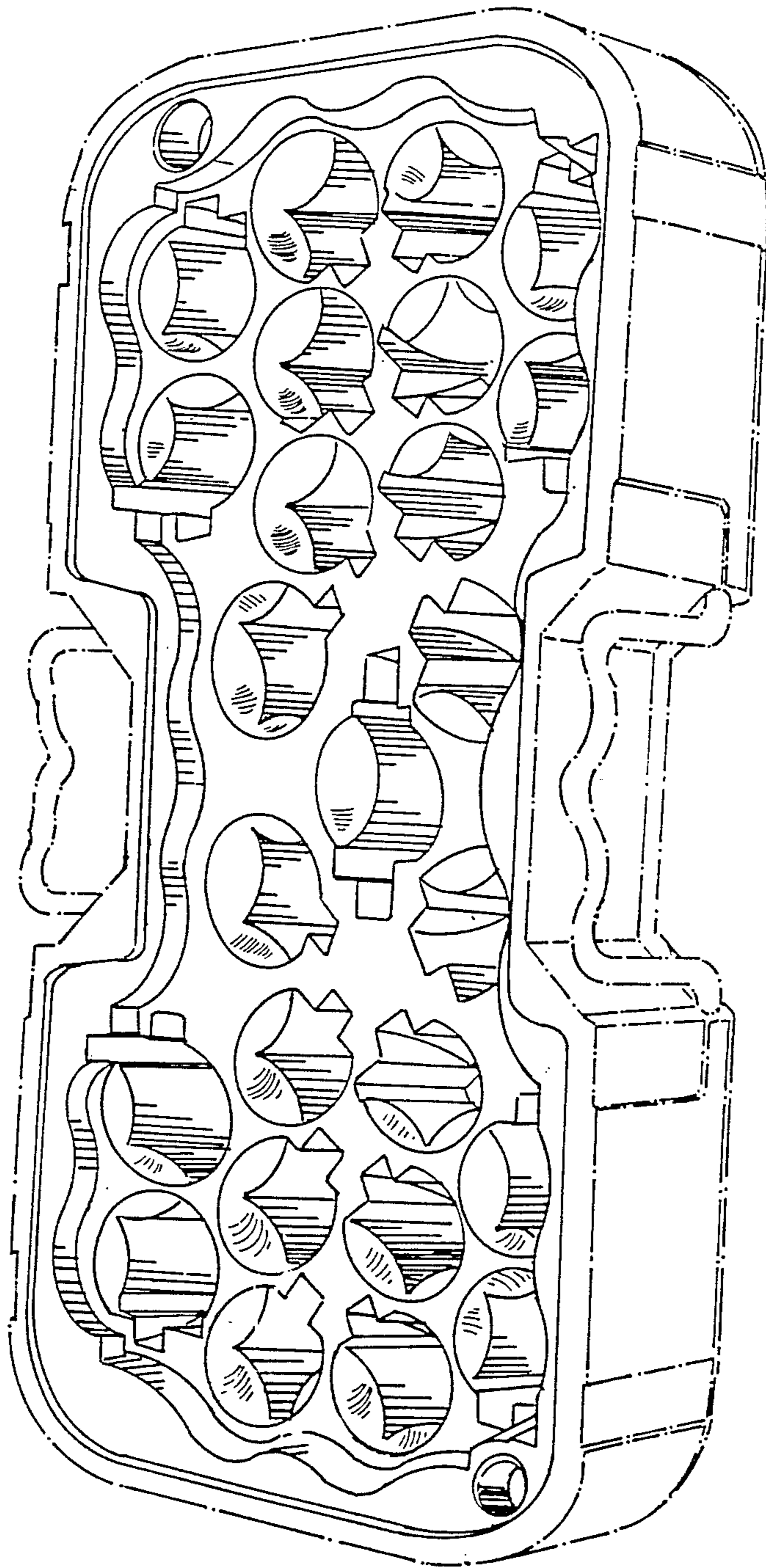


FIG. 1

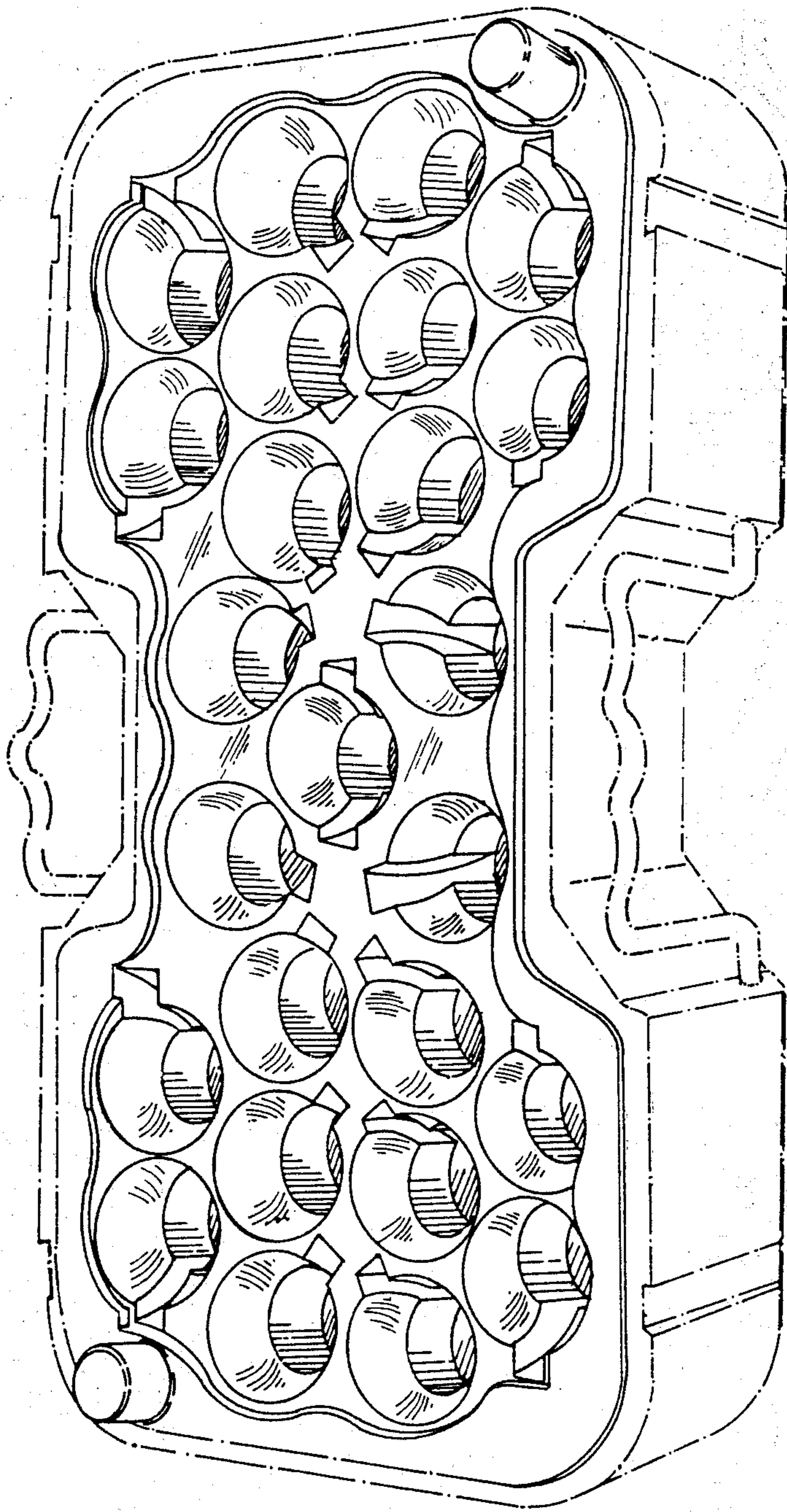


FIG.2

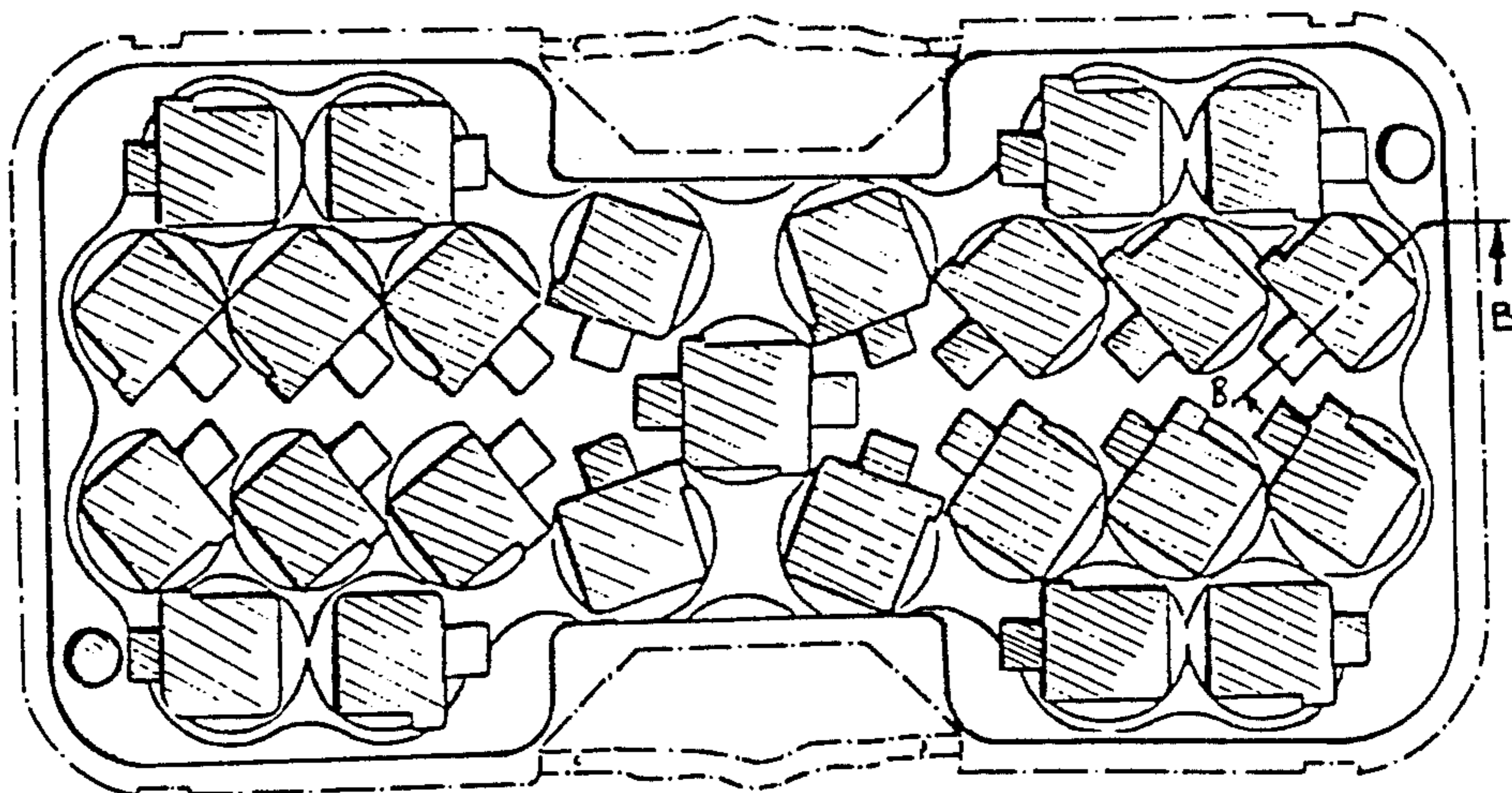


FIG. 3

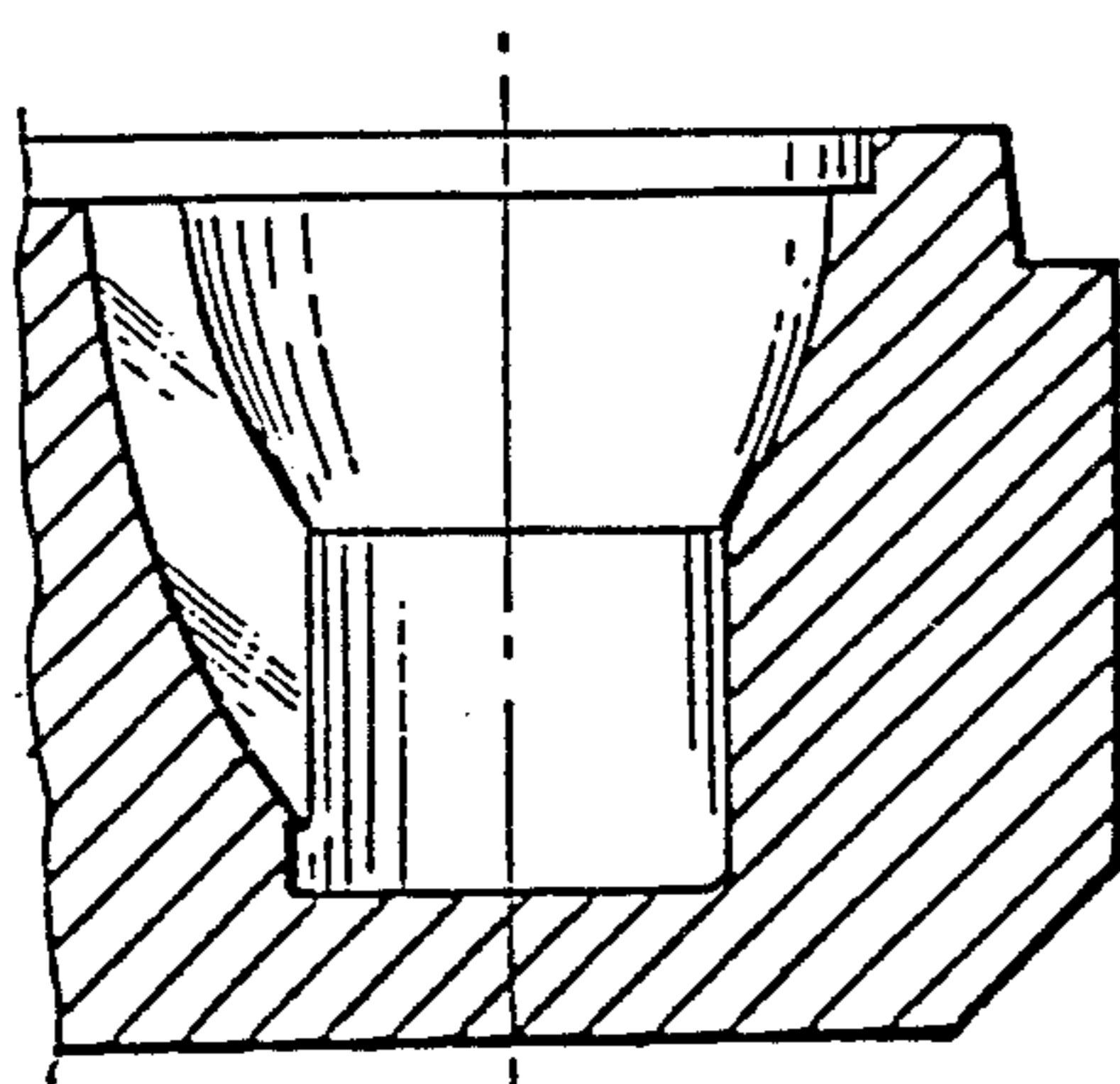


FIG. 4

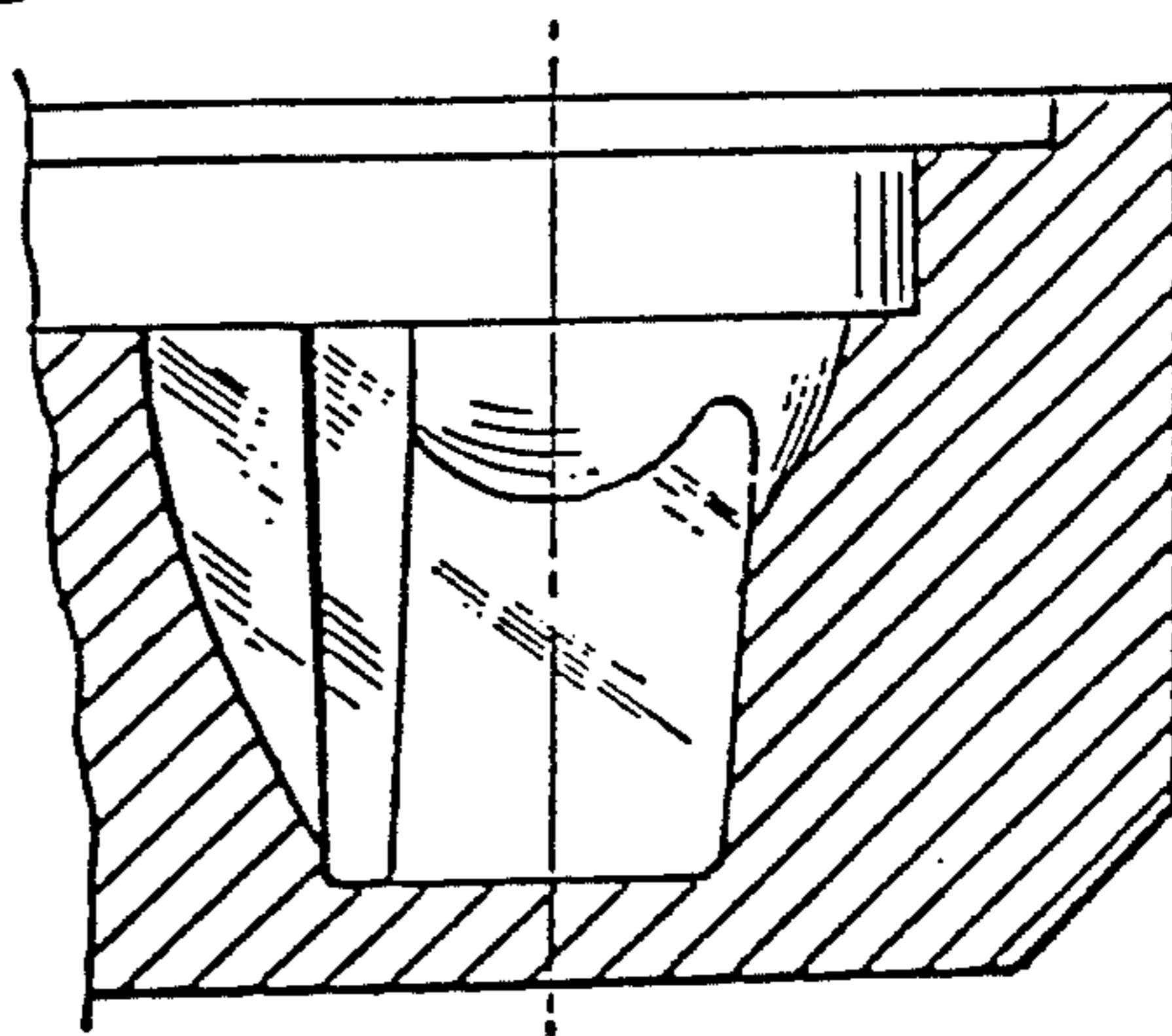


FIG. 5

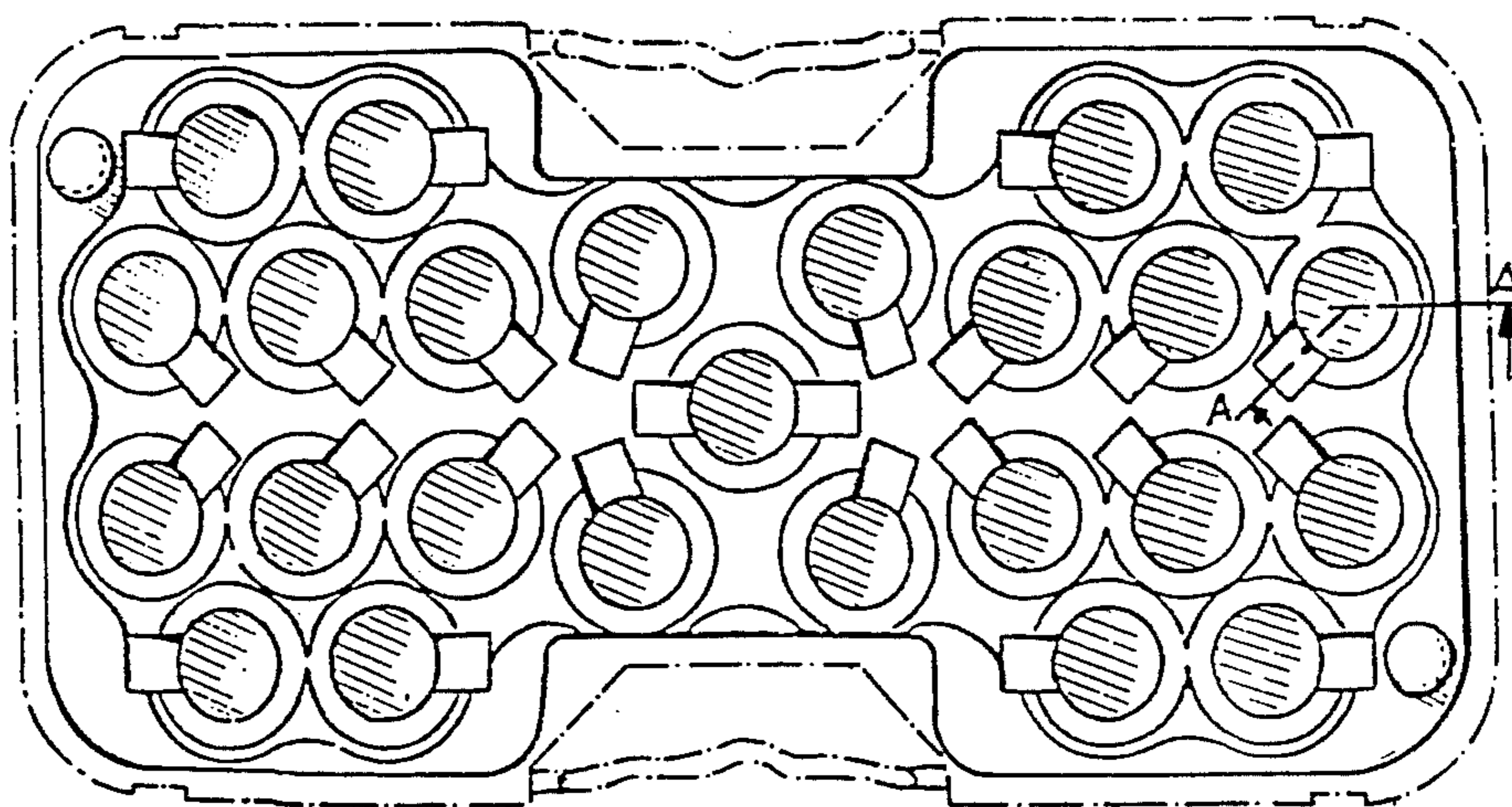


FIG. 6