

[54] FLAT WIRE CLIP

[75] Inventors: Donald Santucci, Wheaton; Phillip W. Denmark, Bloomingdale, both of Ill.

[73] Assignee: Dek, Inc., St. Charles, Ill.

[**] Term: 14 Years

[21] Appl. No.: 789,075

[22] Filed: Oct. 18, 1985

[52] U.S. Cl. D8/395; D8/382

[58] Field of Search D8/382, 394-396; 248/68.1, 71, 74.1, 74.2, 74.3, 73; 24/16 PB, 336, 457, 458, 499, 545, 546, 543, 563

[56] References Cited

U.S. PATENT DOCUMENTS

3,529,795	9/1970	Van Niel	248/71
3,991,960	11/1976	Tanaka	24/458
4,457,482	7/1984	Kitagawa	248/73

FOREIGN PATENT DOCUMENTS

2092216 8/1982 United Kingdom 248/74.2

Primary Examiner—B. J. Bullock

Attorney, Agent, or Firm—Jones, Day, Reavis & Pogue

[57] CLAIM

The ornamental design for a flat wire clip, as shown and described.

DESCRIPTION

FIG. 1 is a front elevational view of a flat wire clip showing our new design, the side opposite being a mirror image;

FIG. 2 is a right side elevational view thereof;

FIG. 3 is a left side elevational view thereof;

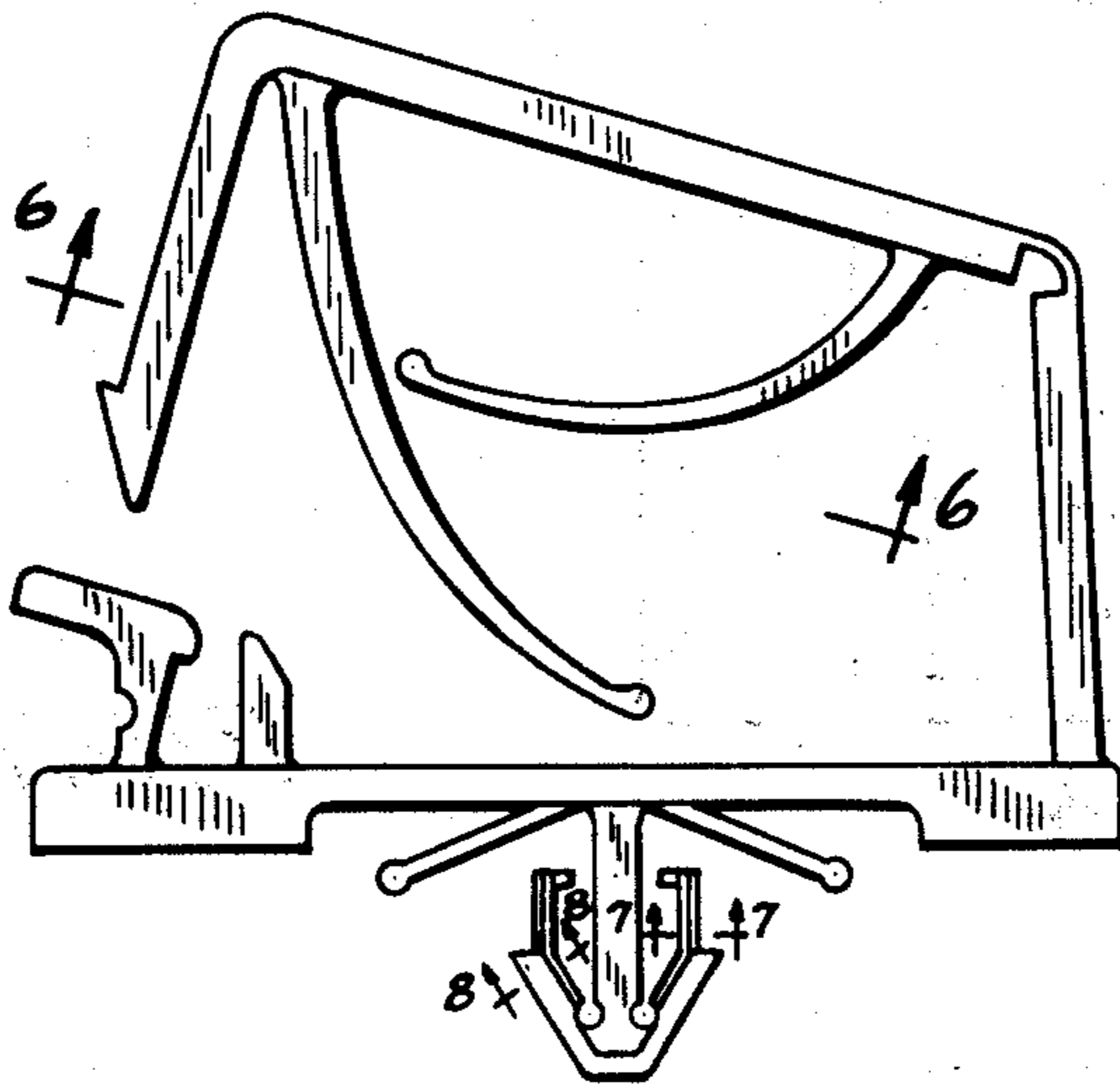
FIG. 4 is a top plan view thereof;

FIG. 5 is a bottom plan view thereof;

FIG. 6 is a fragmentary sectional view taken in the direction of the arrows on line 6—6 of FIG. 1;

FIG. 7 is an enlarged sectional view taken in the direction of the arrows on line 7—7 of FIG. 1;

FIG. 8 is an enlarged fragmentary sectional view taken in the direction of the arrows on line 8—8 of FIG. 1.



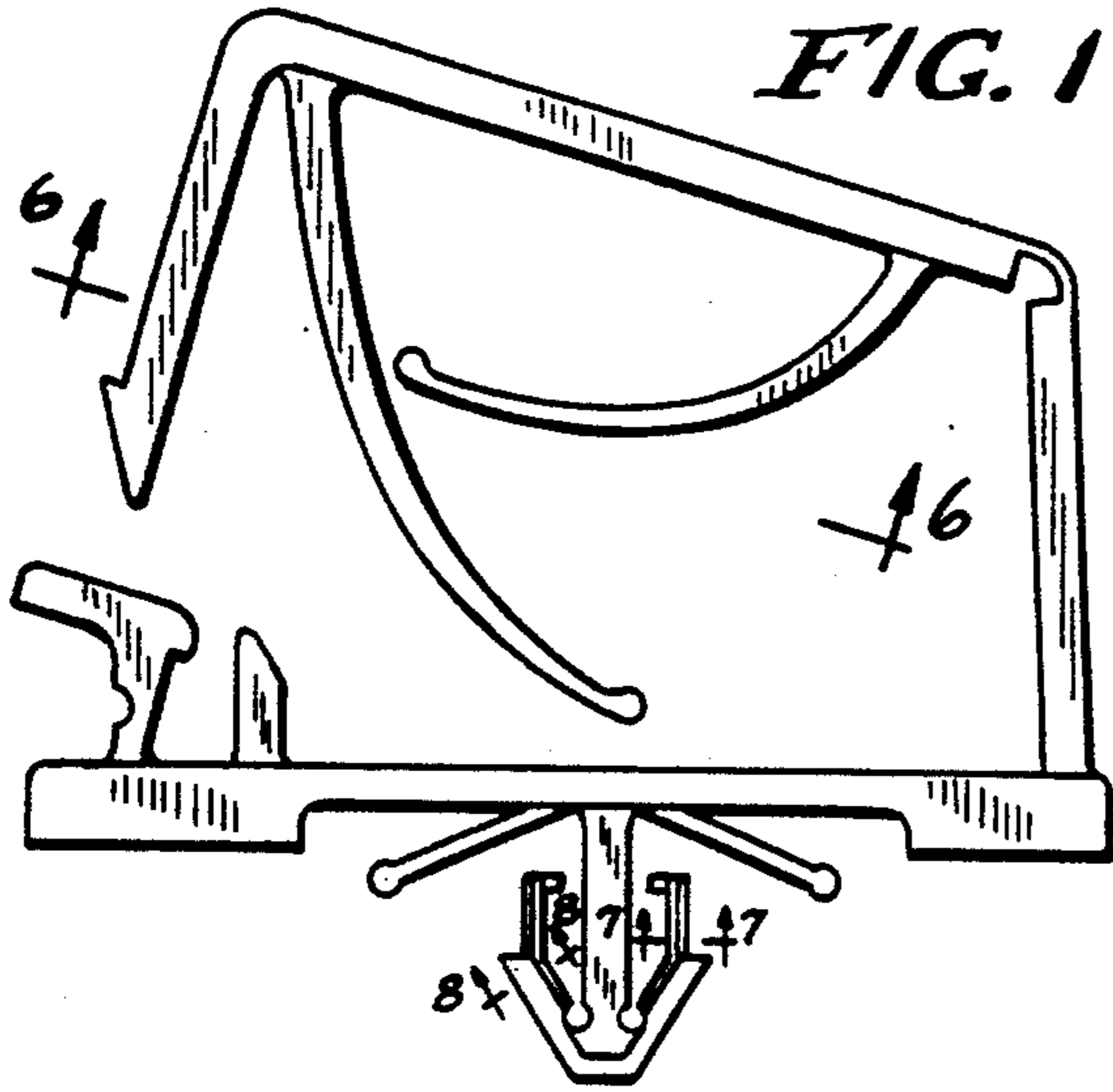


FIG. 1

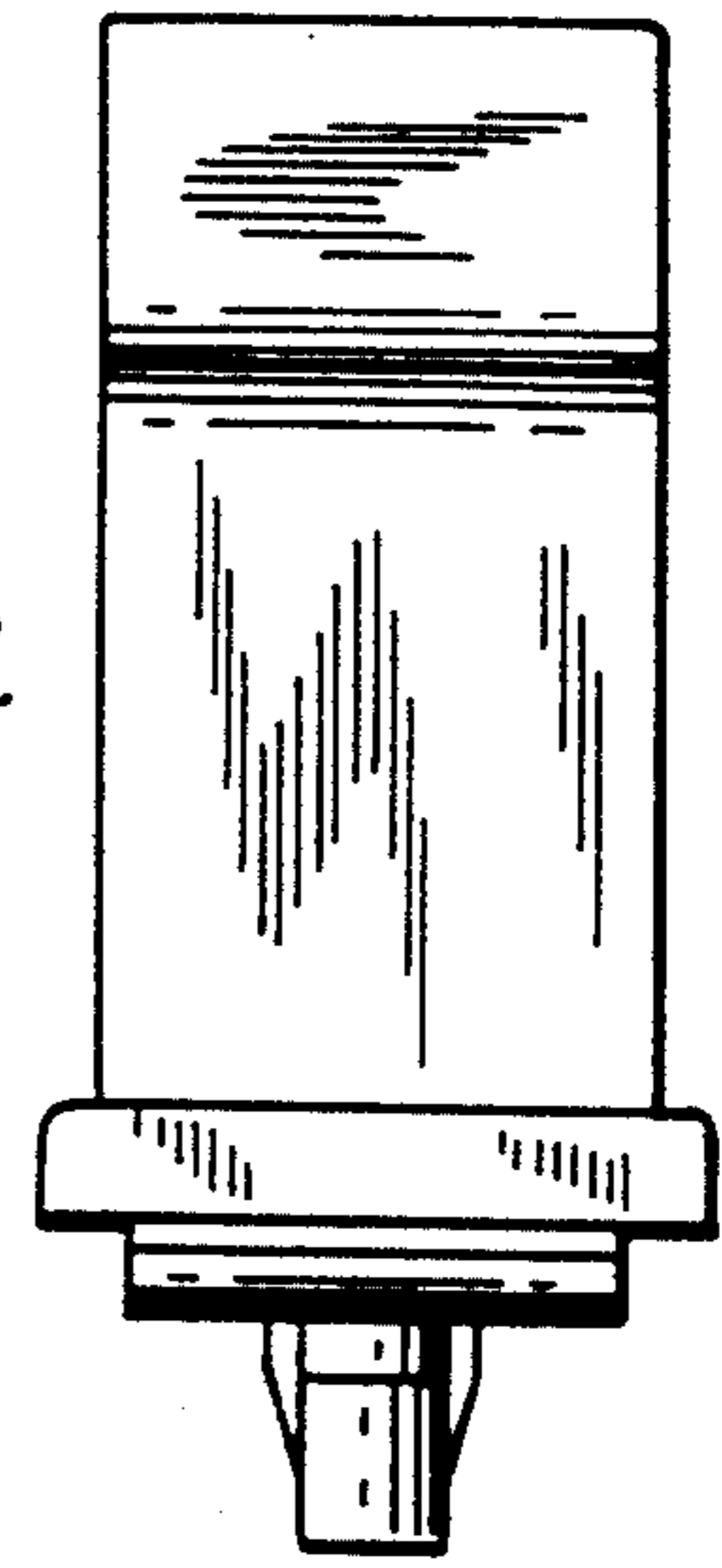


FIG. 2

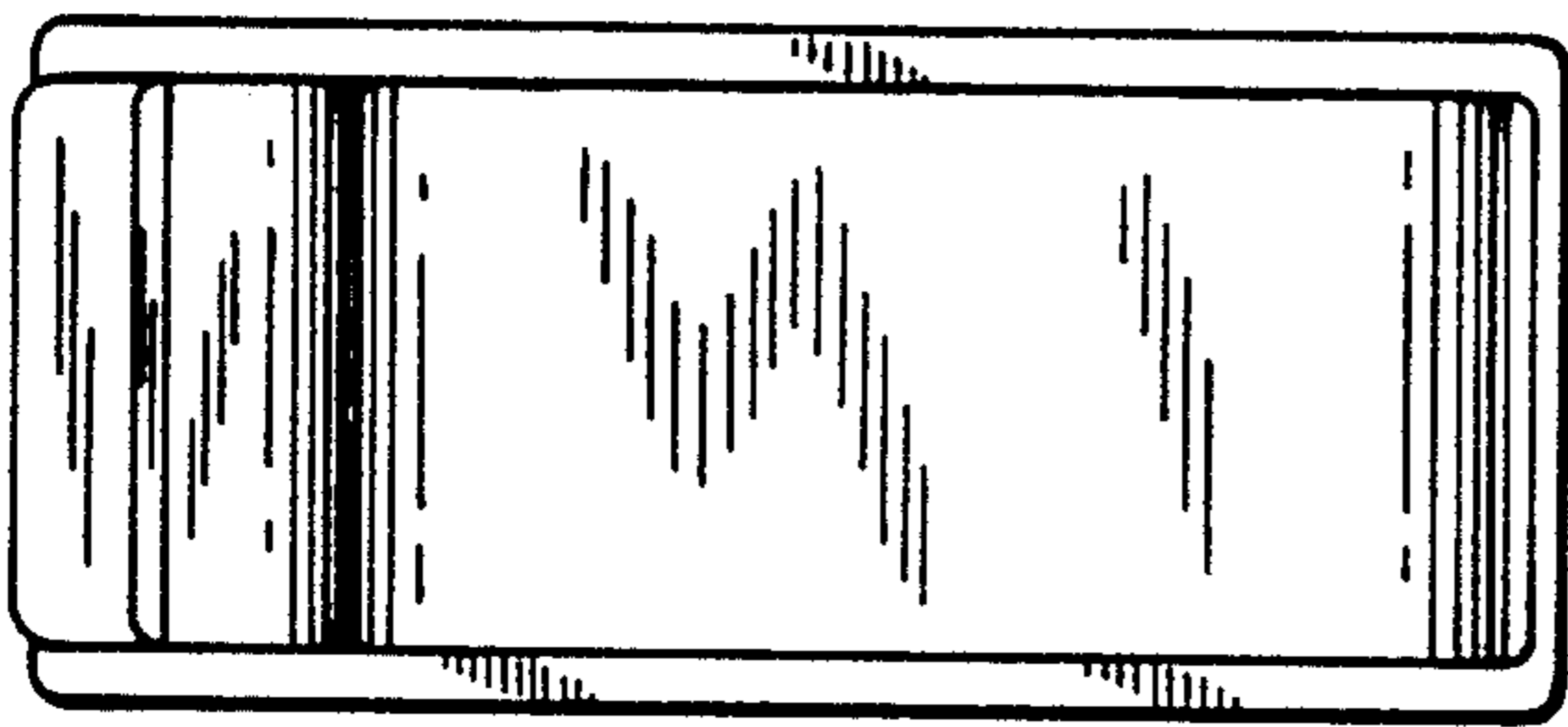


FIG. 4

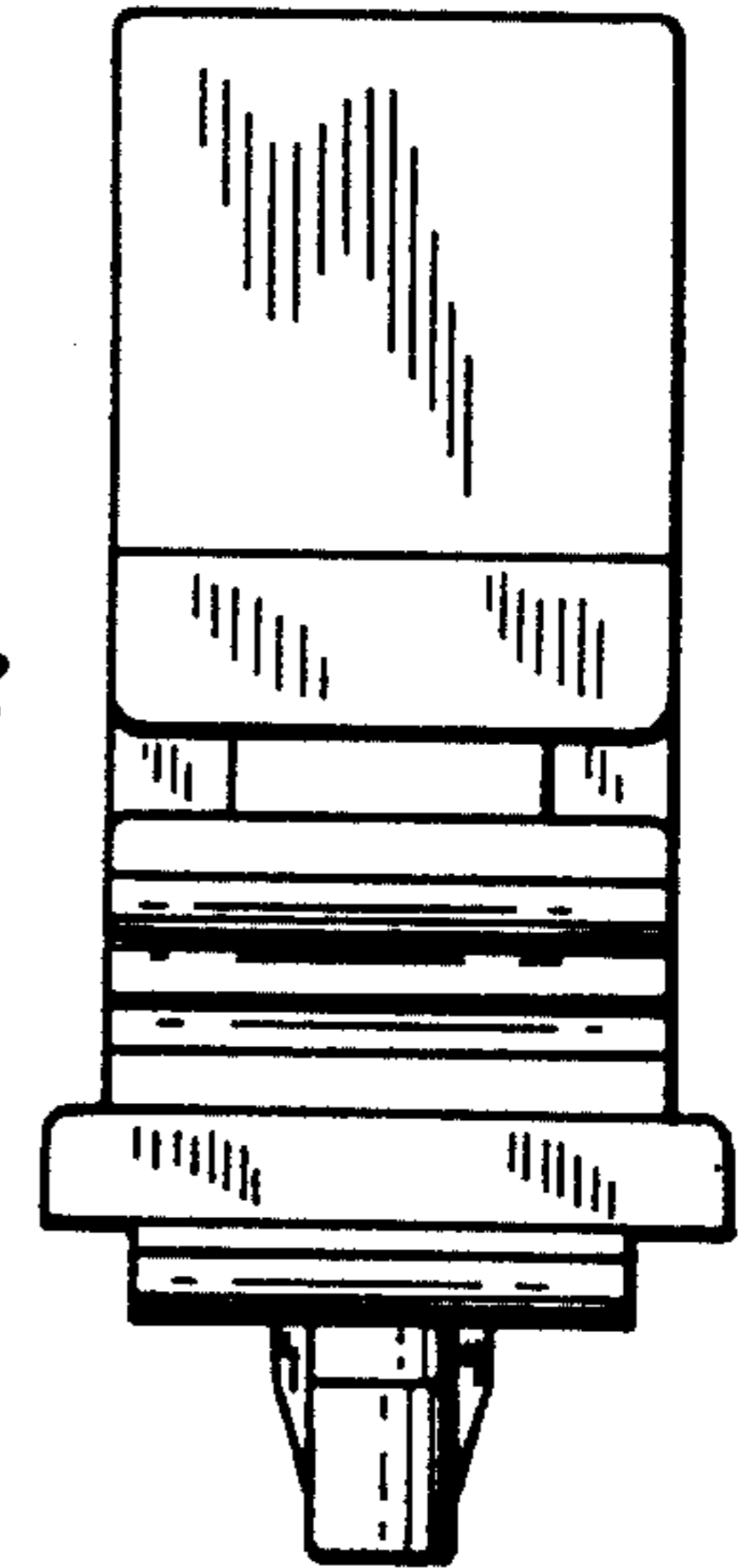


FIG. 3

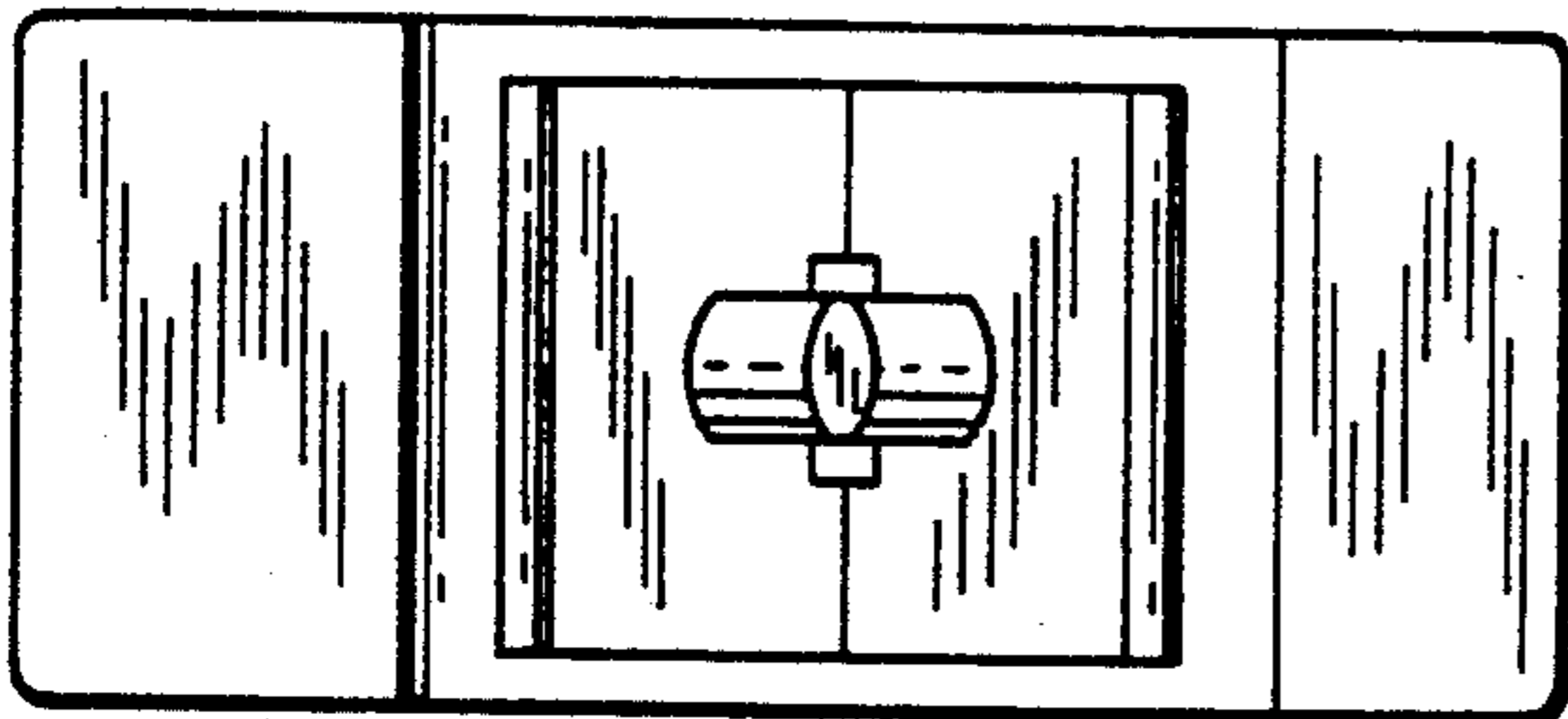


FIG. 5

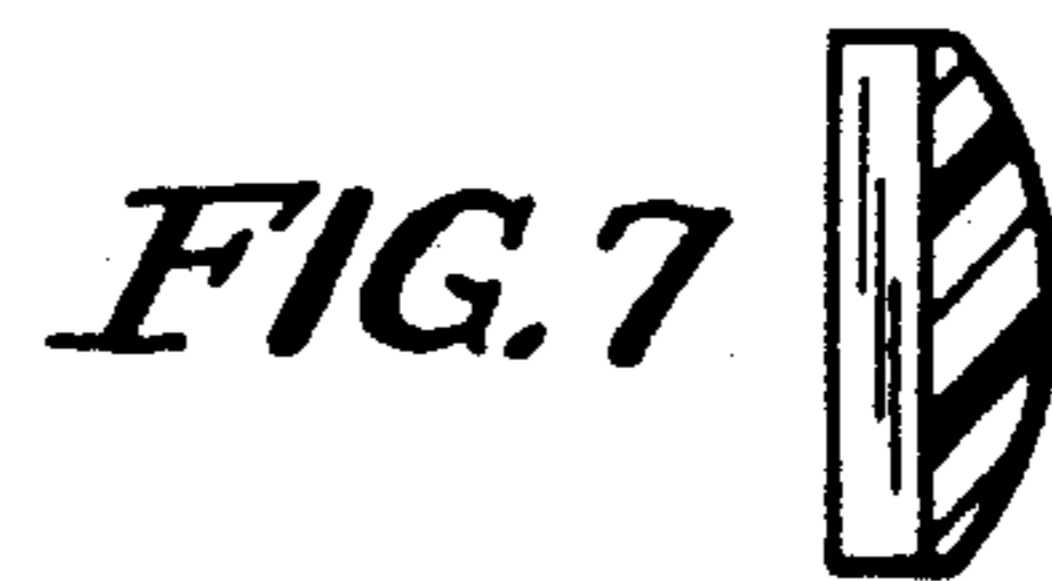


FIG. 7

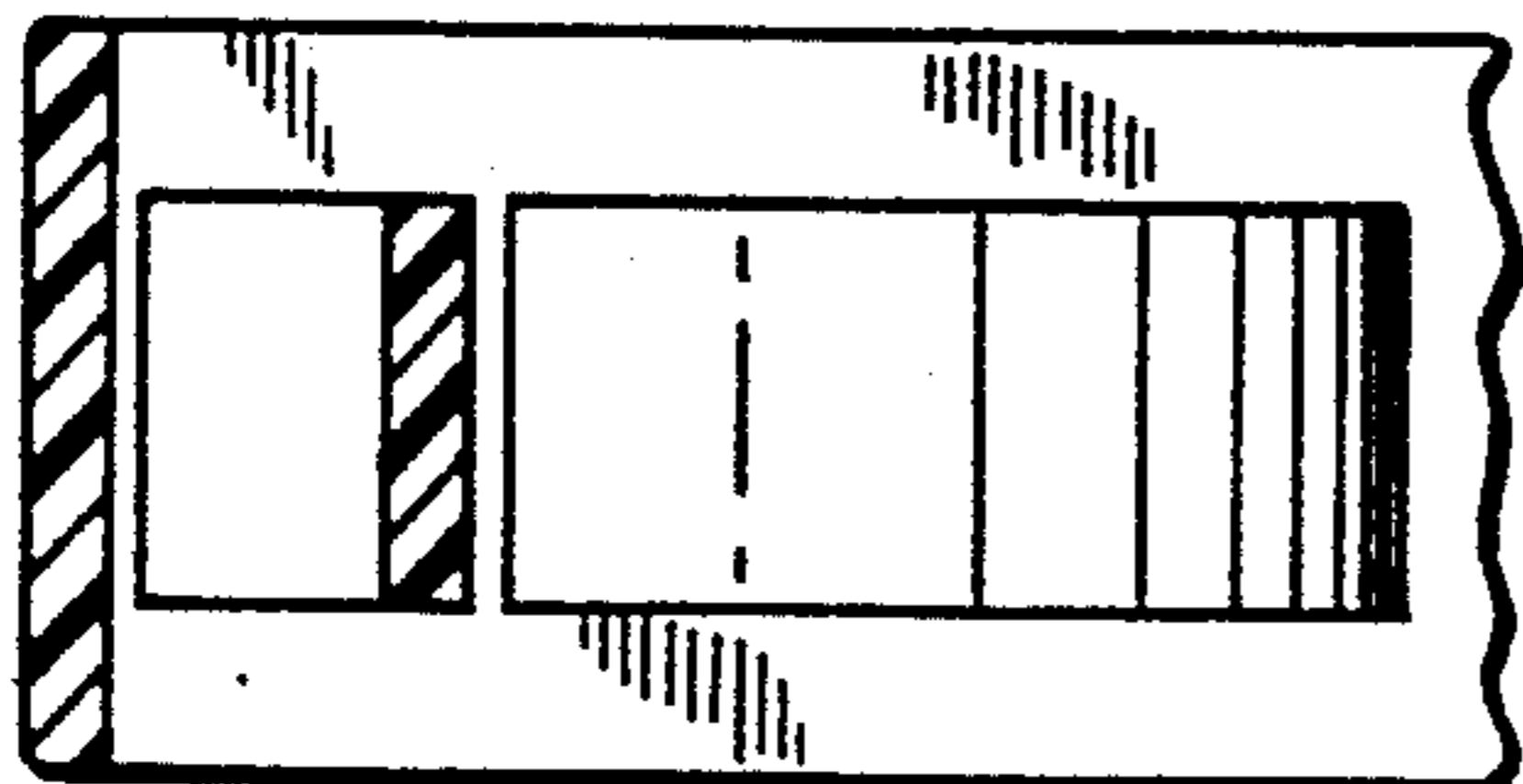


FIG. 6

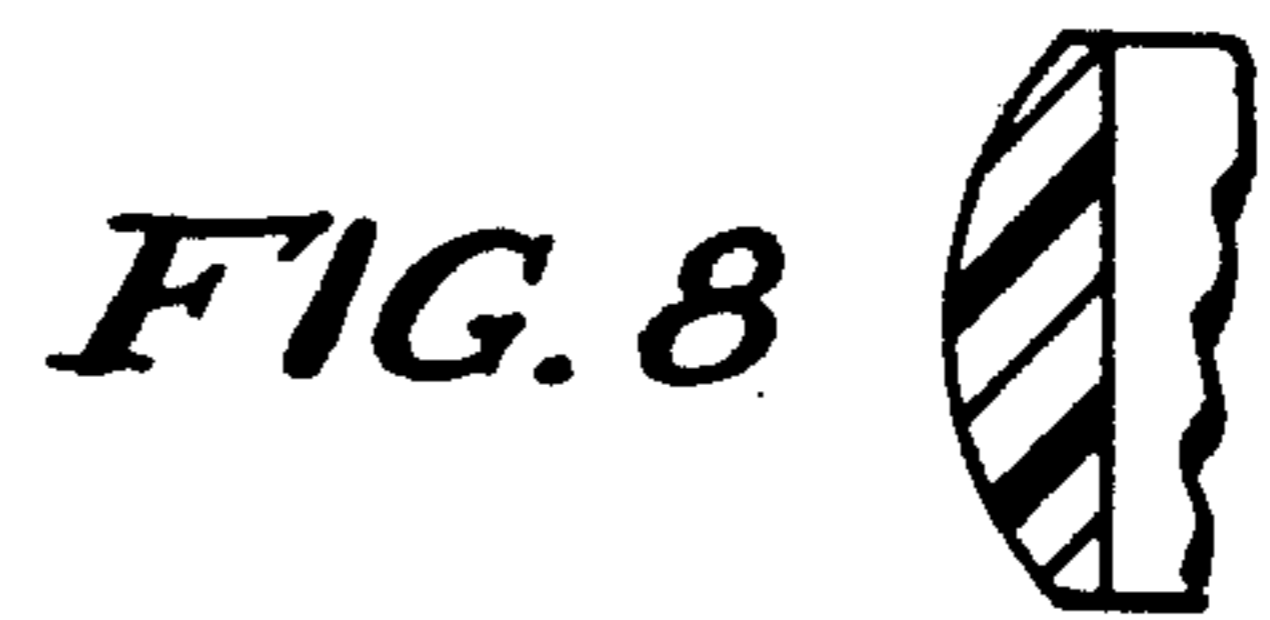


FIG. 8