

[54] SUPPORT BRACKET FOR A RADAR DETECTOR

[75] Inventor: Steven Sokol, Southfield, Mich.

[73] Assignee: Detroit Bracket Company, Inc., Redford Township, Wayne County, Mich.

[**] Term: 14 Years

[21] Appl. No.: 885,307

[22] Filed: Jul. 14, 1986

Related U.S. Application Data

[63] Continuation-in-part of Ser. No. 776,793, Sep. 17, 1985.
[52] U.S. Cl. D8/380; D6/574
[58] Field of Search D8/380; D6/574; D10/104, 106, 47, 46; 248/206.3, 206.4, 205.6, 205.2; 224/42.42, 42.43, 375, 311

References Cited

U.S. PATENT DOCUMENTS

Table with 4 columns: Patent No., Date, Inventor, and Reference. Includes entries for Florsheim, Friesleken, Hutcheson, Berr, Stansberry, Zaiger et al., Troendle, Kieft, and Hoverder.

Table with 4 columns: Patent No., Date, Inventor, and Reference. Includes entries for Tollman, Cicogna, Goldfus, Transue, La Croix, Downer, Florian, Kay, Walters, Moss, and Mead.

FOREIGN PATENT DOCUMENTS

149955 12/1931 Switzerland 248/206.4

Primary Examiner—Wallace R. Burke
Assistant Examiner—Horace B. Fay
Attorney, Agent, or Firm—Gifford, Groh, VanOphem, Sheridan, Sprinkle and Dolgorukov

[57] CLAIM

The ornamental design for a support bracket for a radar detector, as shown and described.

DESCRIPTION

FIG. 1 is a left side, partial top, and front perspective view of a support bracket for a radar detector showing my new design;
FIG. 2 is a left side view thereof;
FIG. 3 is an elevated front plan view thereof, taken substantially from the view indicated by arrow of FIG. 2; and
FIG. 4 is a bottom plan view of the bracket as shown in FIG. 1.

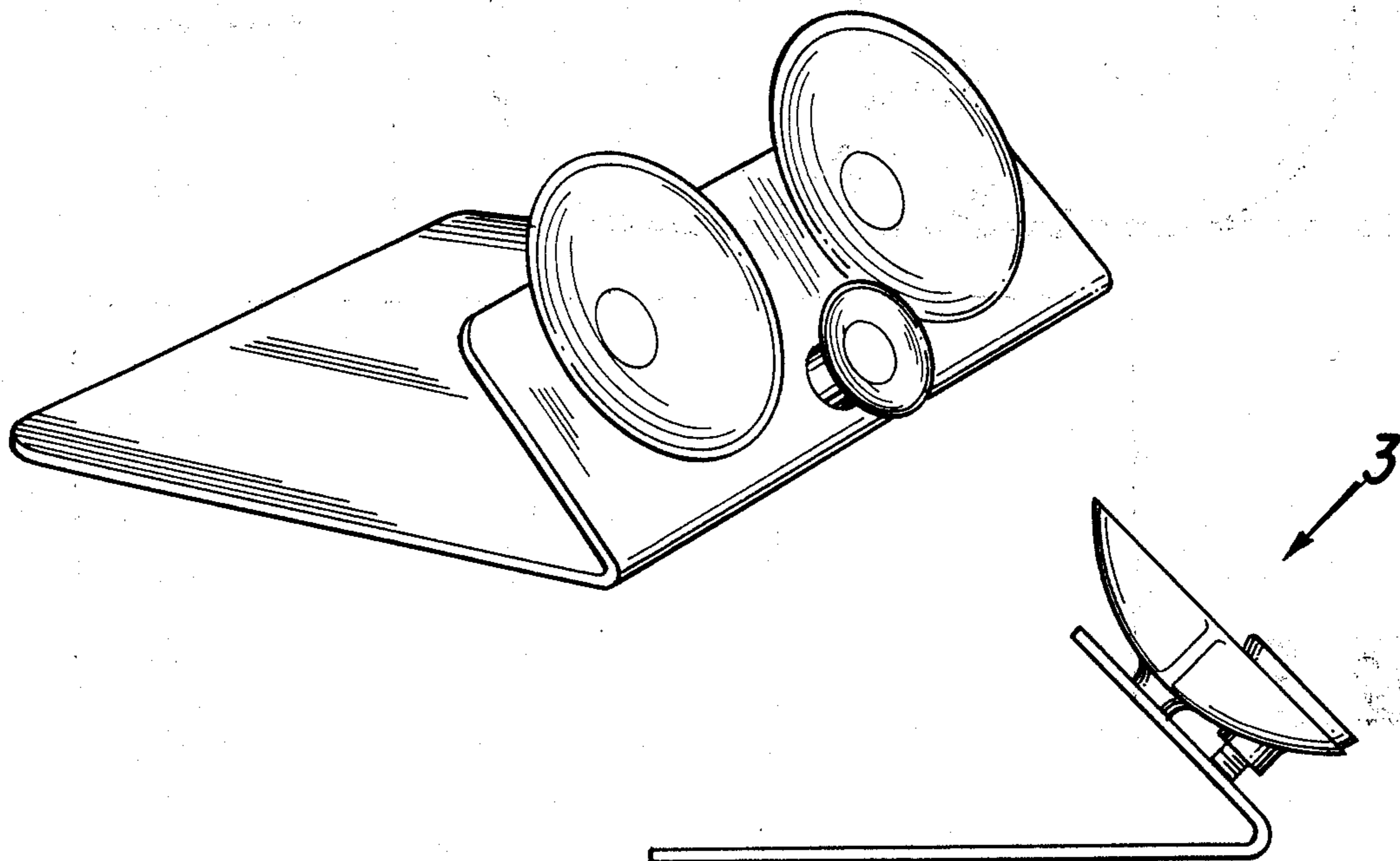


Fig-1

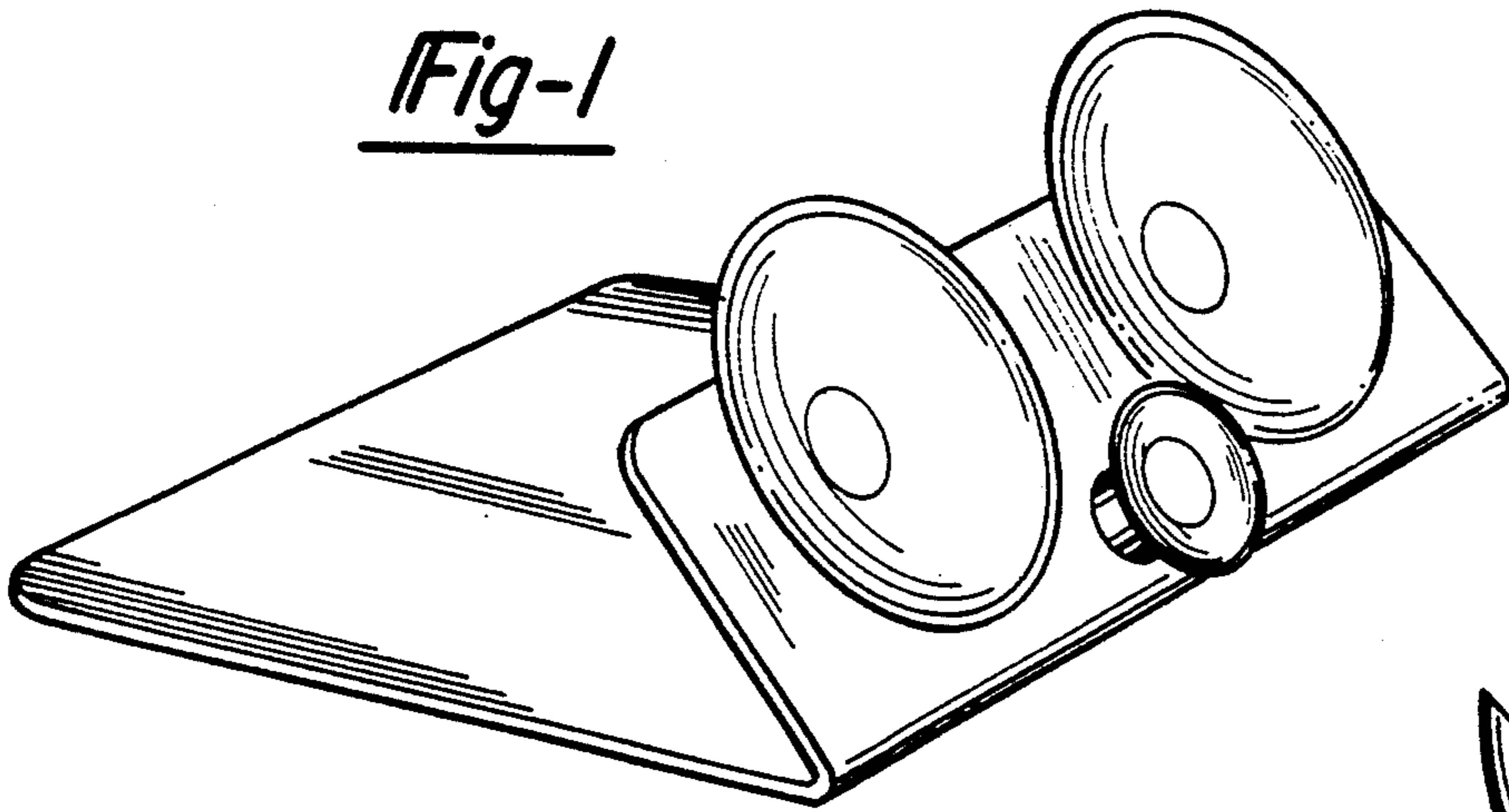


Fig-2

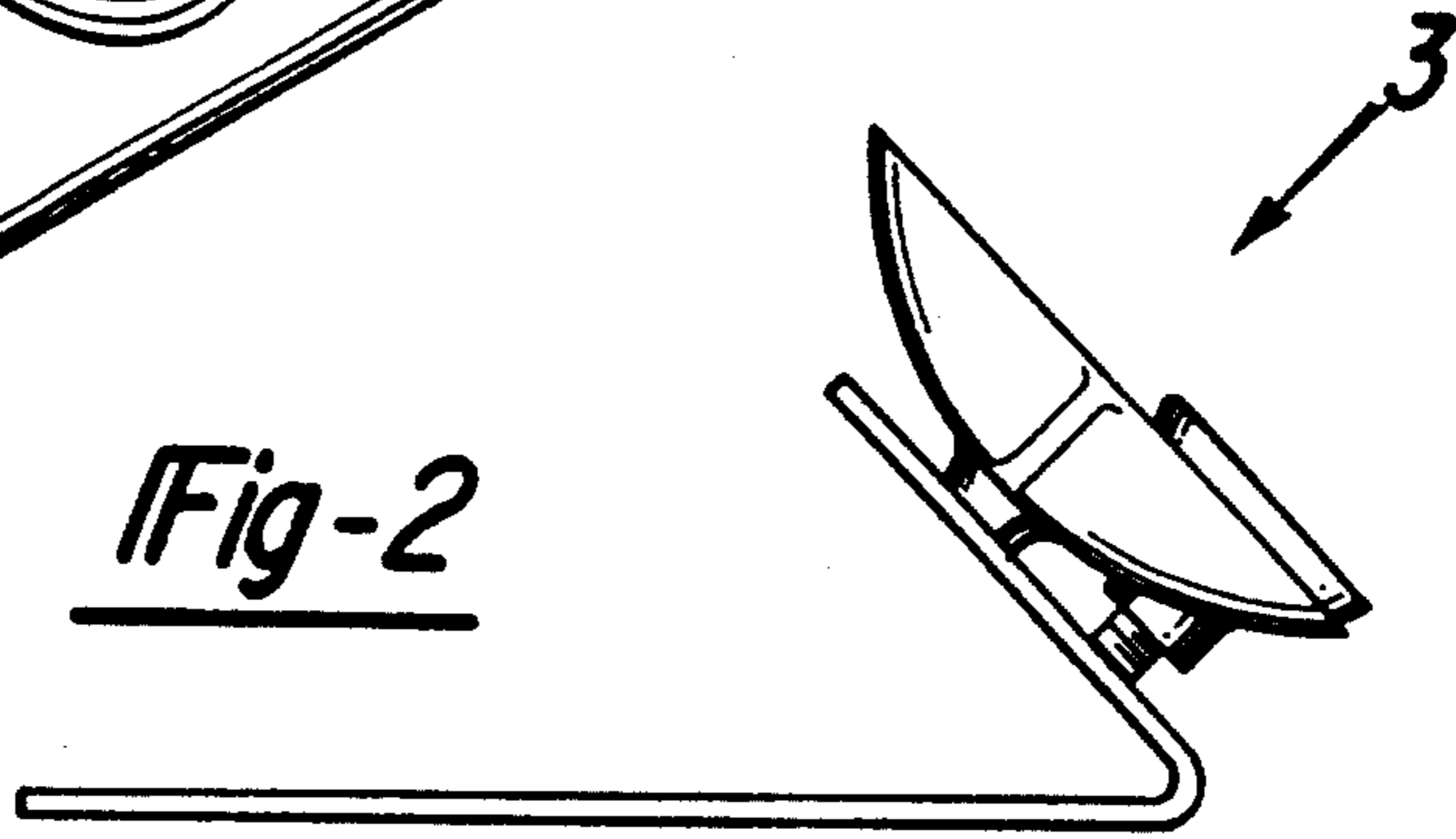


Fig-3

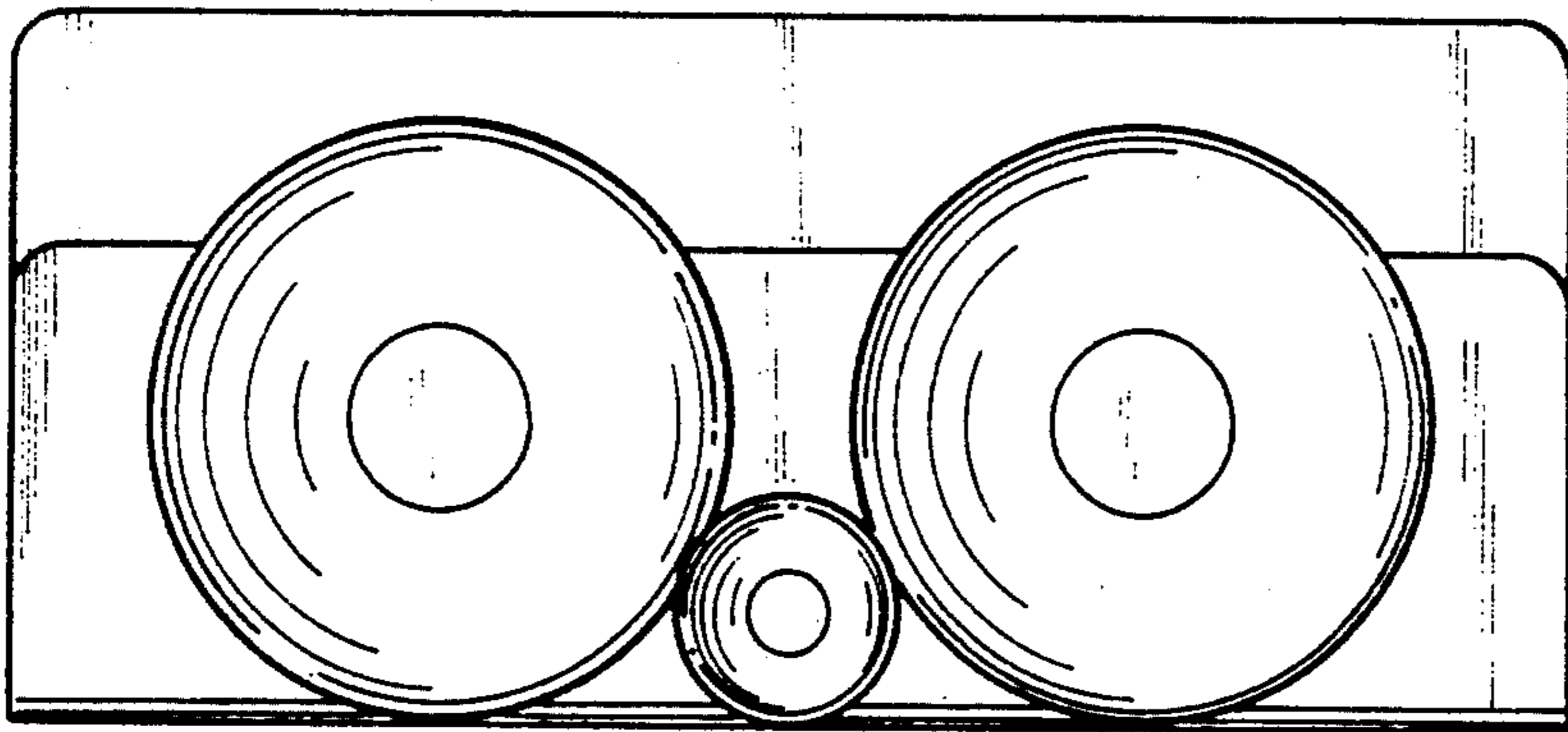


Fig-4

