

[54] ELECTRIC CAN OPENER

[75] Inventors: Davin Stowell; Tucker Viemeister, both of New York, N.Y.; Thomas Dair, Hoboken, N.J.

[73] Assignee: Sanyei Corporation, Japan

[**] Term: 14 Years

[21] Appl. No.: 869,069

[22] Filed: May 30, 1986

Related U.S. Application Data

- [62] Division of Ser. No. 574,925, Jan. 30, 1984, Pat. No. Des. 288,277.
- [52] U.S. Cl. D8/36; D8/37
- [58] Field of Search D8/34-37; 30/400, 410, 416, 419, 424-426, 433, 444

References Cited

U.S. PATENT DOCUMENTS

- D. 240,701 7/1976 Dykes D8/36
- D. 240,702 7/1976 Scott D8/36
- 3,757,416 9/1973 Yamamoto D8/36 X

OTHER PUBLICATIONS

Home Furnishings Daily, 1/68, p. 7, Can Opener.

Primary Examiner—Bernard Ansher

Assistant Examiner—Terry Pfeffer

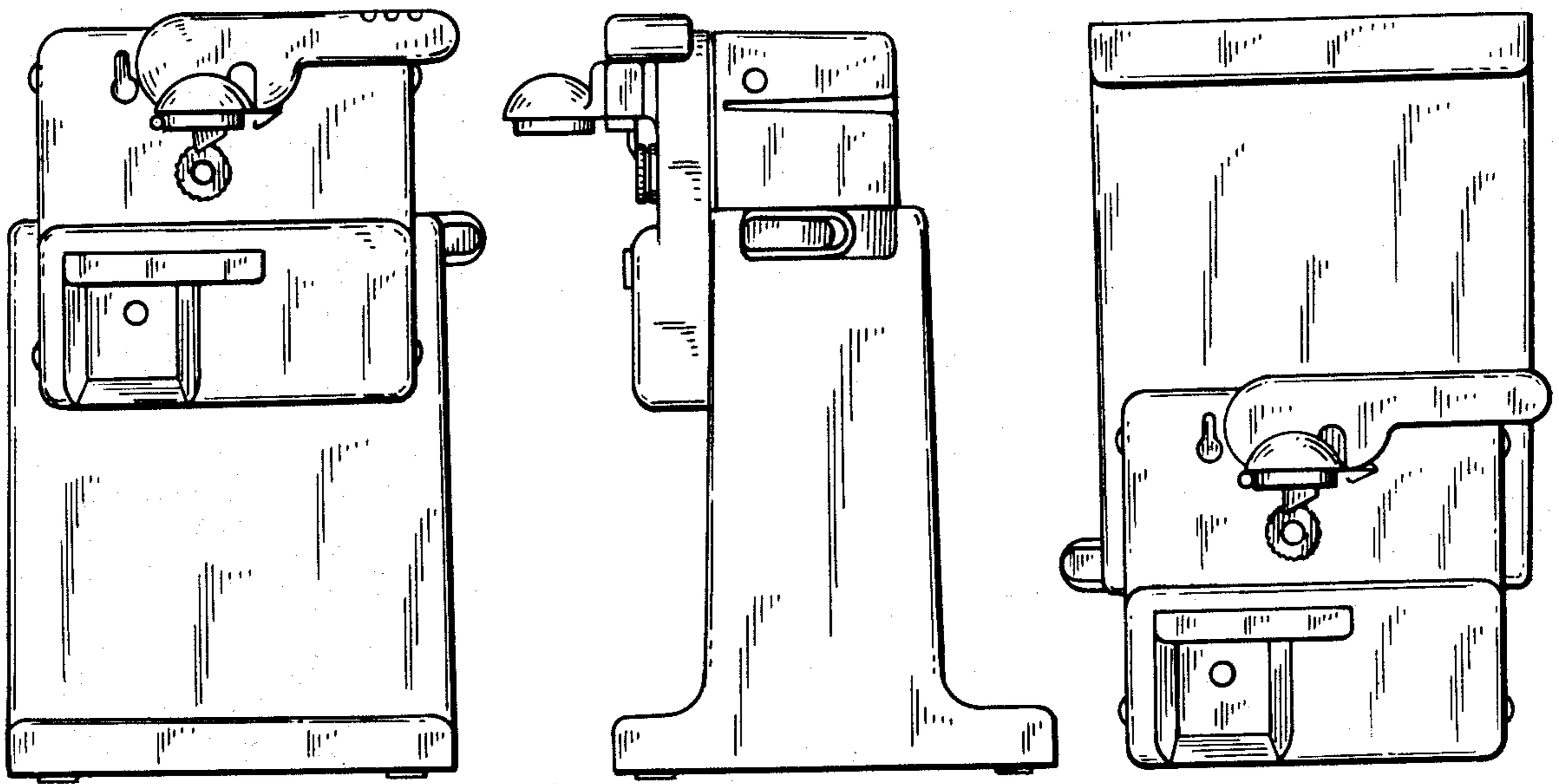
Attorney, Agent, or Firm—Ostrolenk, Faber, Gerb & Soffen

CLAIM

The ornamental design for electric can opener, as shown.

DESCRIPTION

FIG. 1 is a right side view of an electric three-way mountable can opener on a stand in a first condition; FIG. 2 is a rear view thereof; FIG. 3 is a top view thereof; FIG. 4 is a left side view thereof; FIG. 5 is a front view thereof; FIG. 6 is a bottom view thereof; FIG. 7 is a right side view of an electric three-way mountable can opener on a stand in a second condition; FIG. 8 is a rear view thereof; FIG. 9 is a bottom view thereof; FIG. 10 is a left side view thereof; FIG. 11 is a front view thereof; and FIG. 12 is a top view thereof.



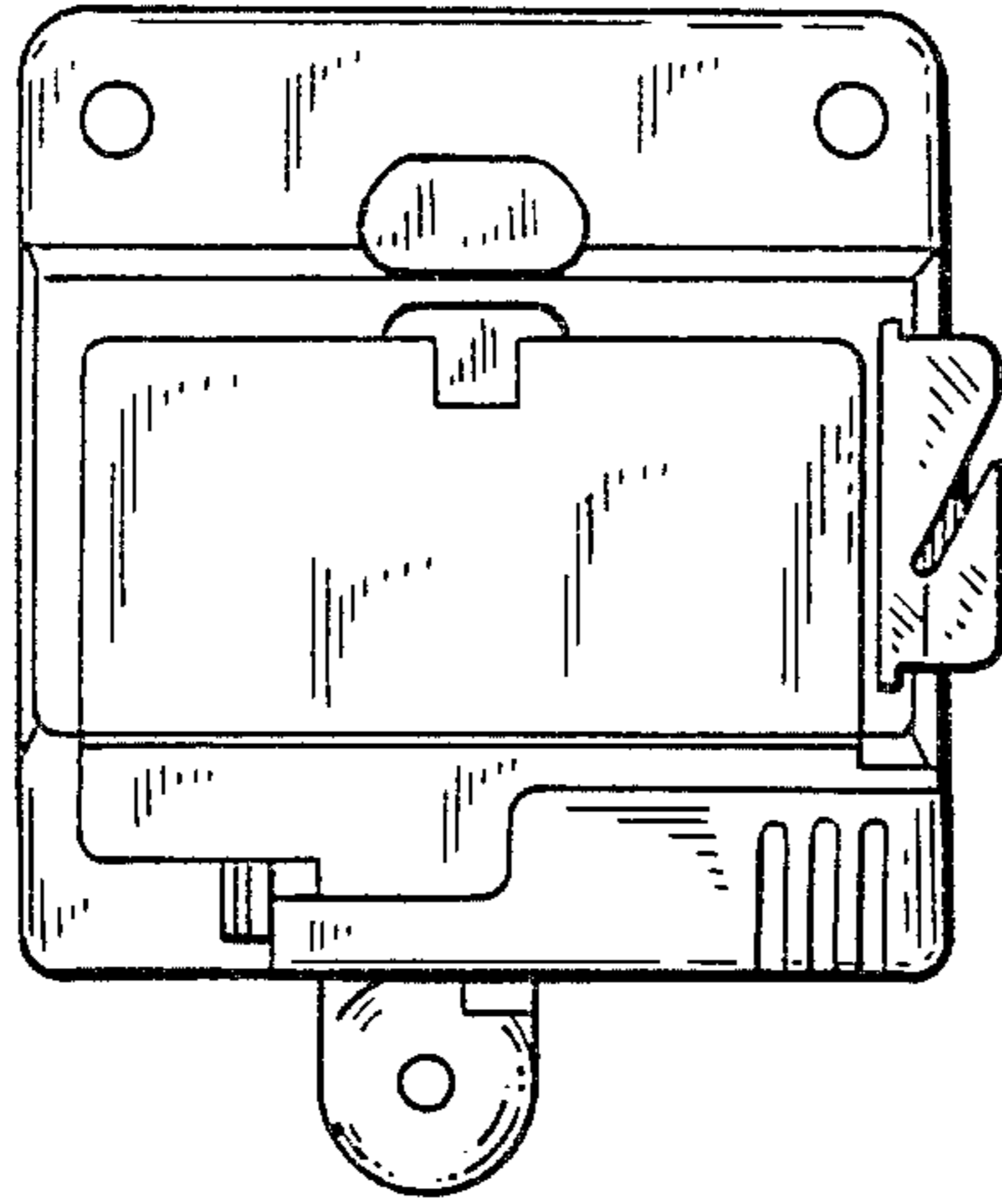


FIG. 3.

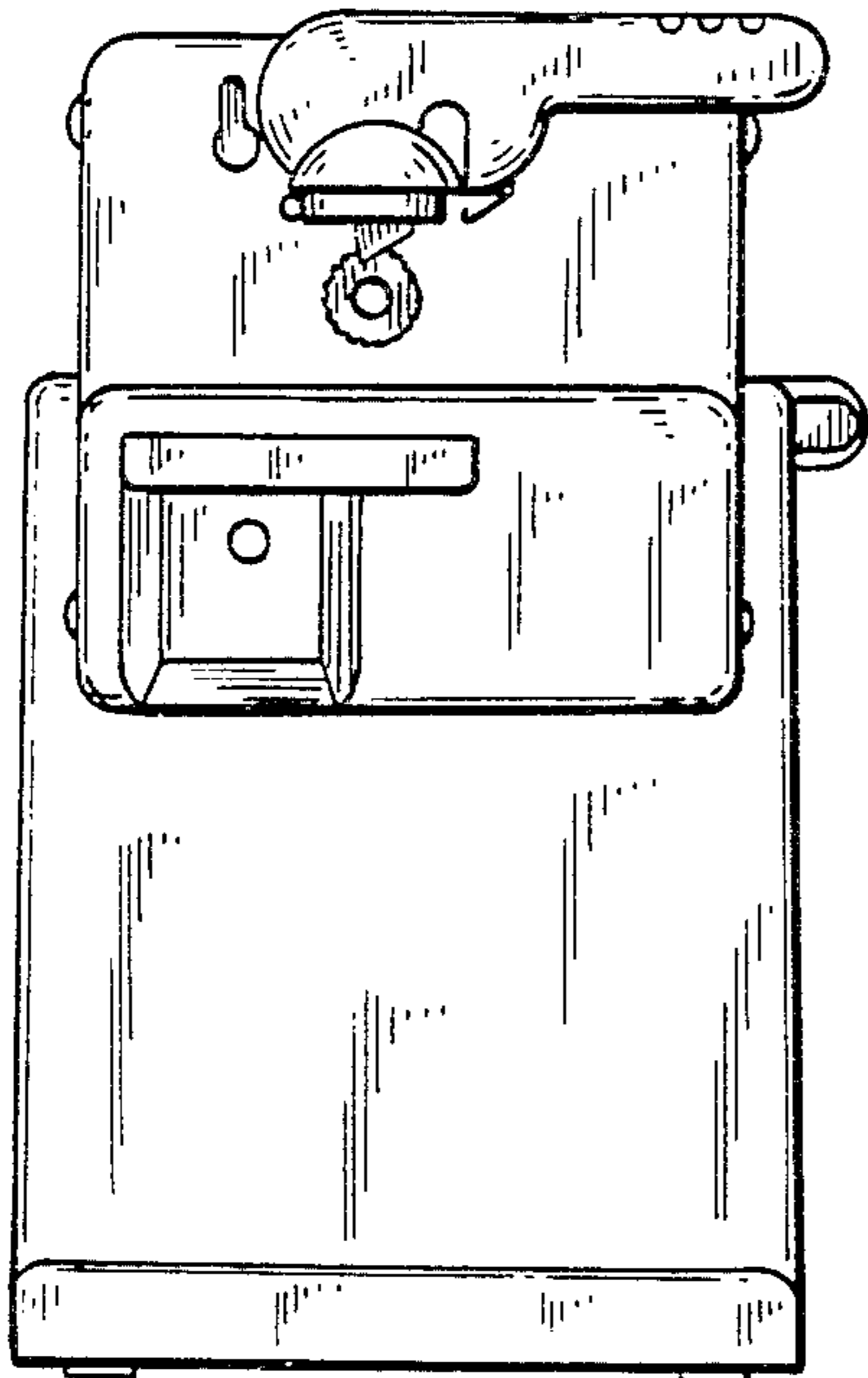


FIG. 1.

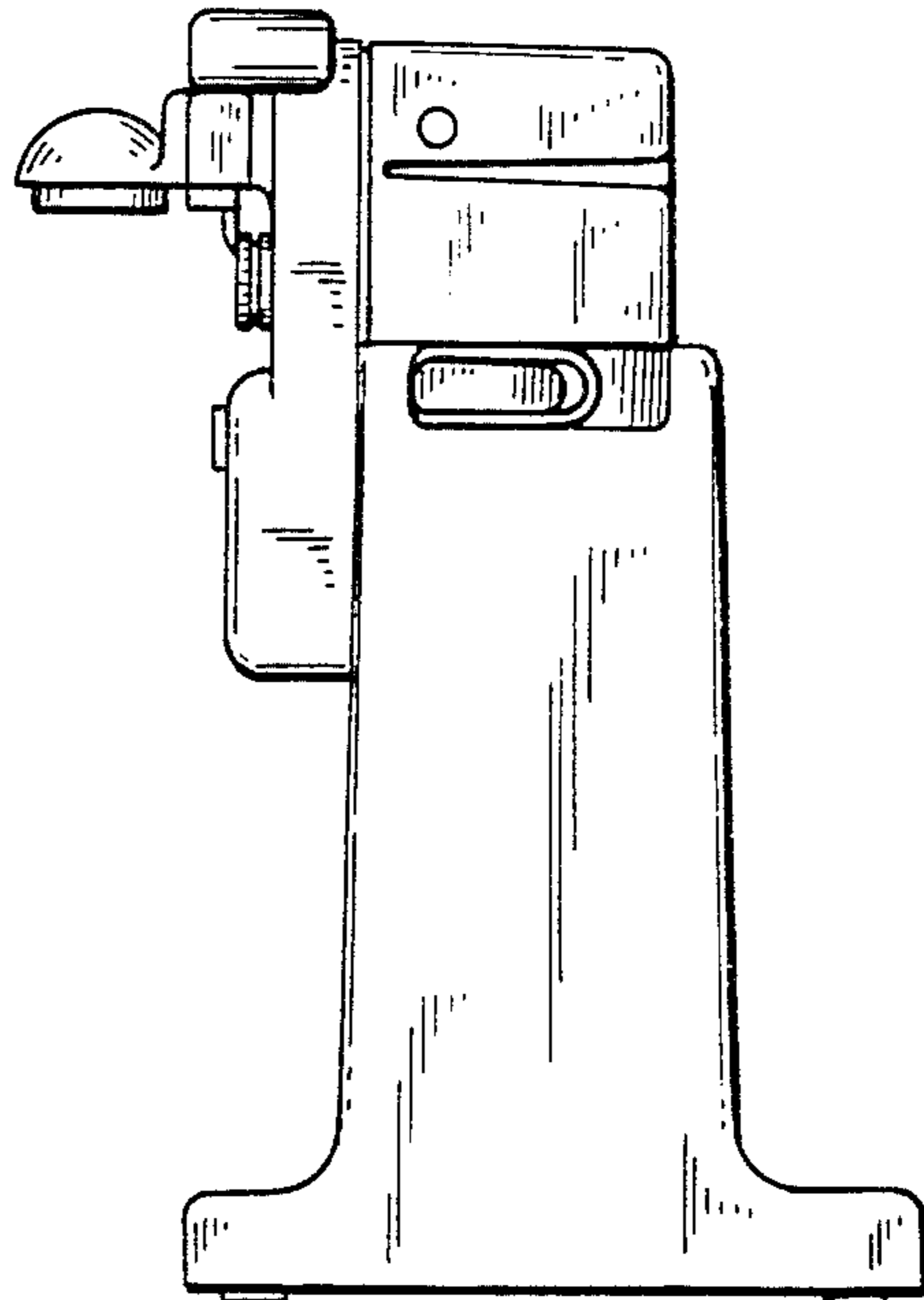


FIG. 2.

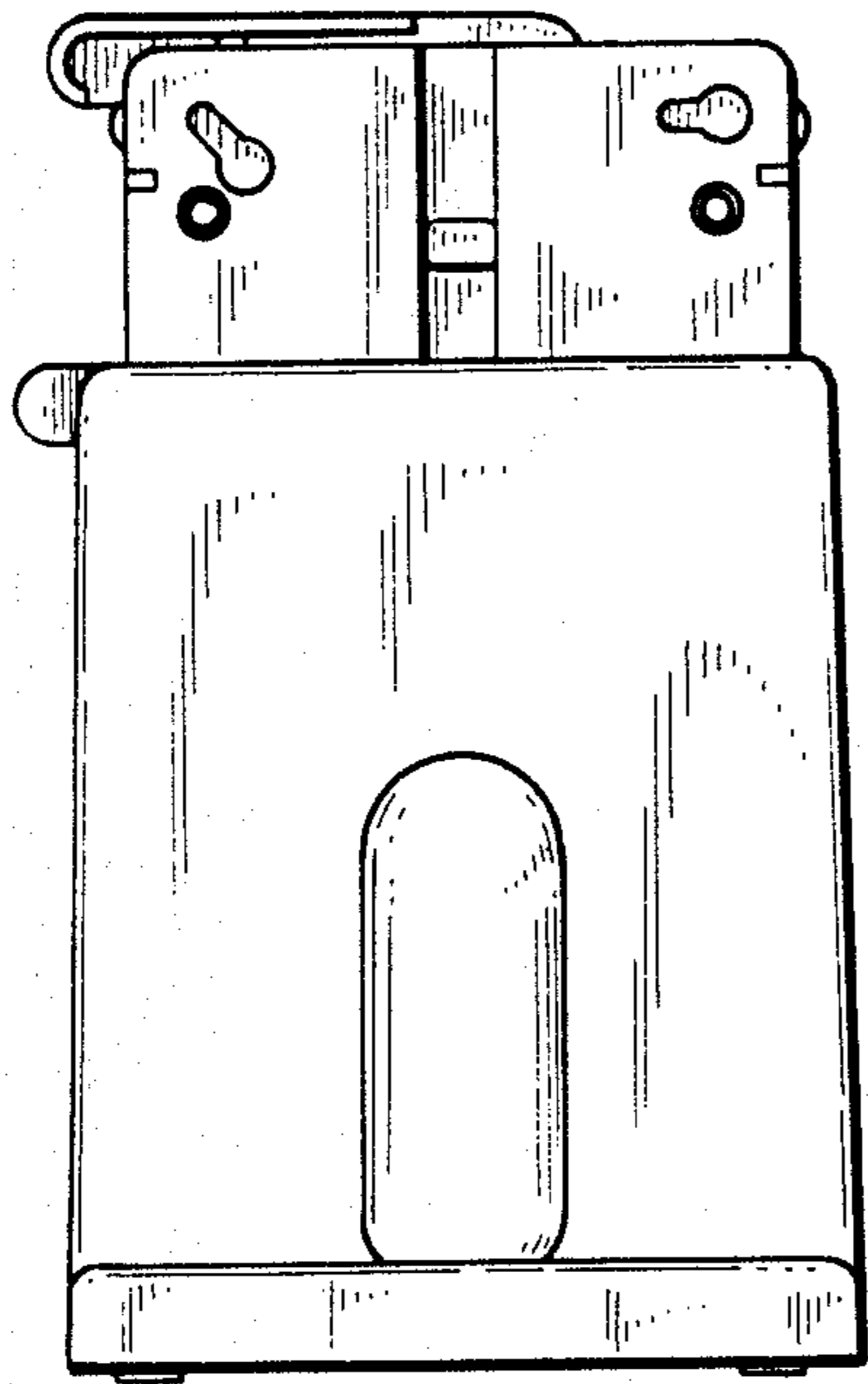


FIG. 4.

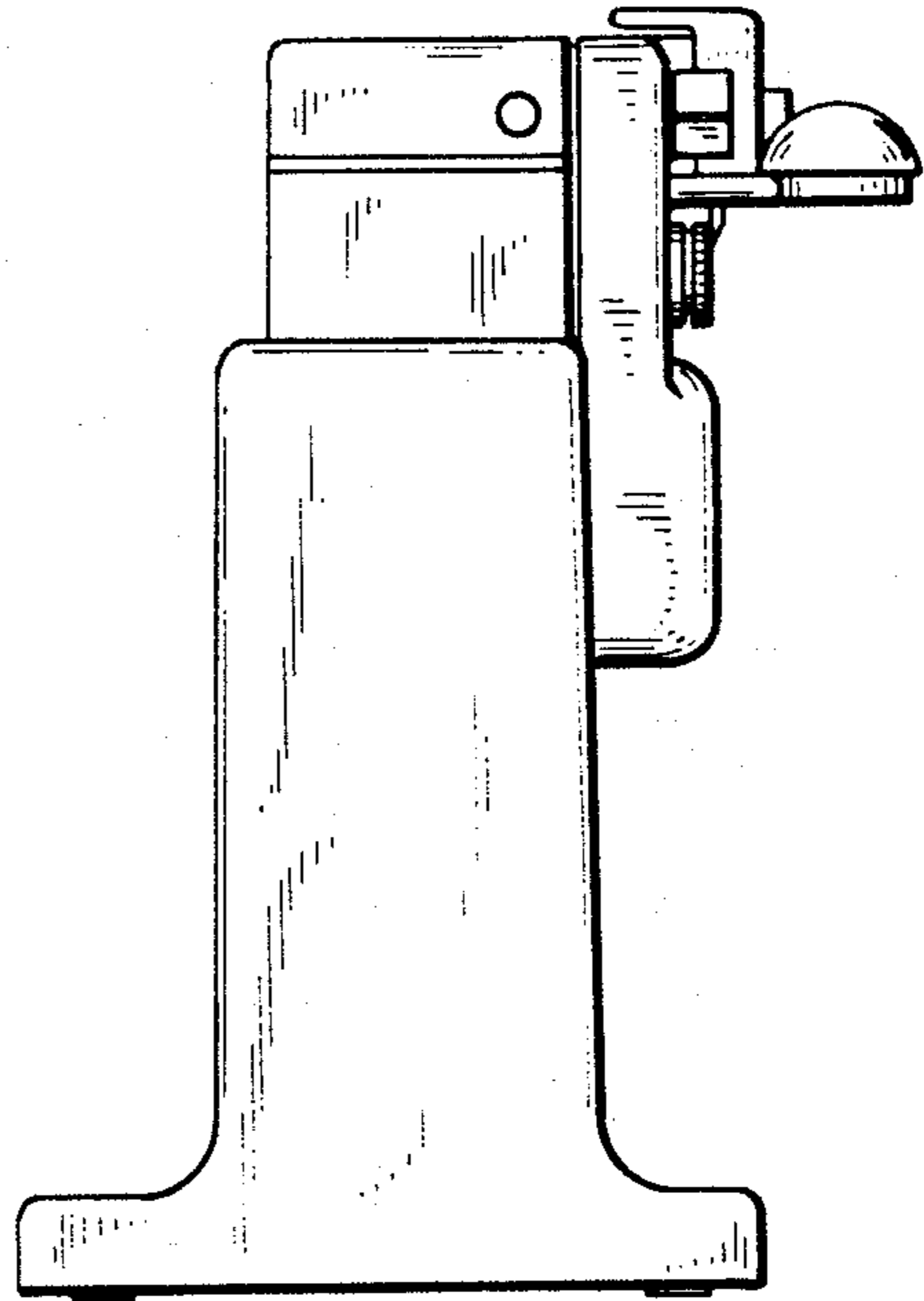


FIG. 5.

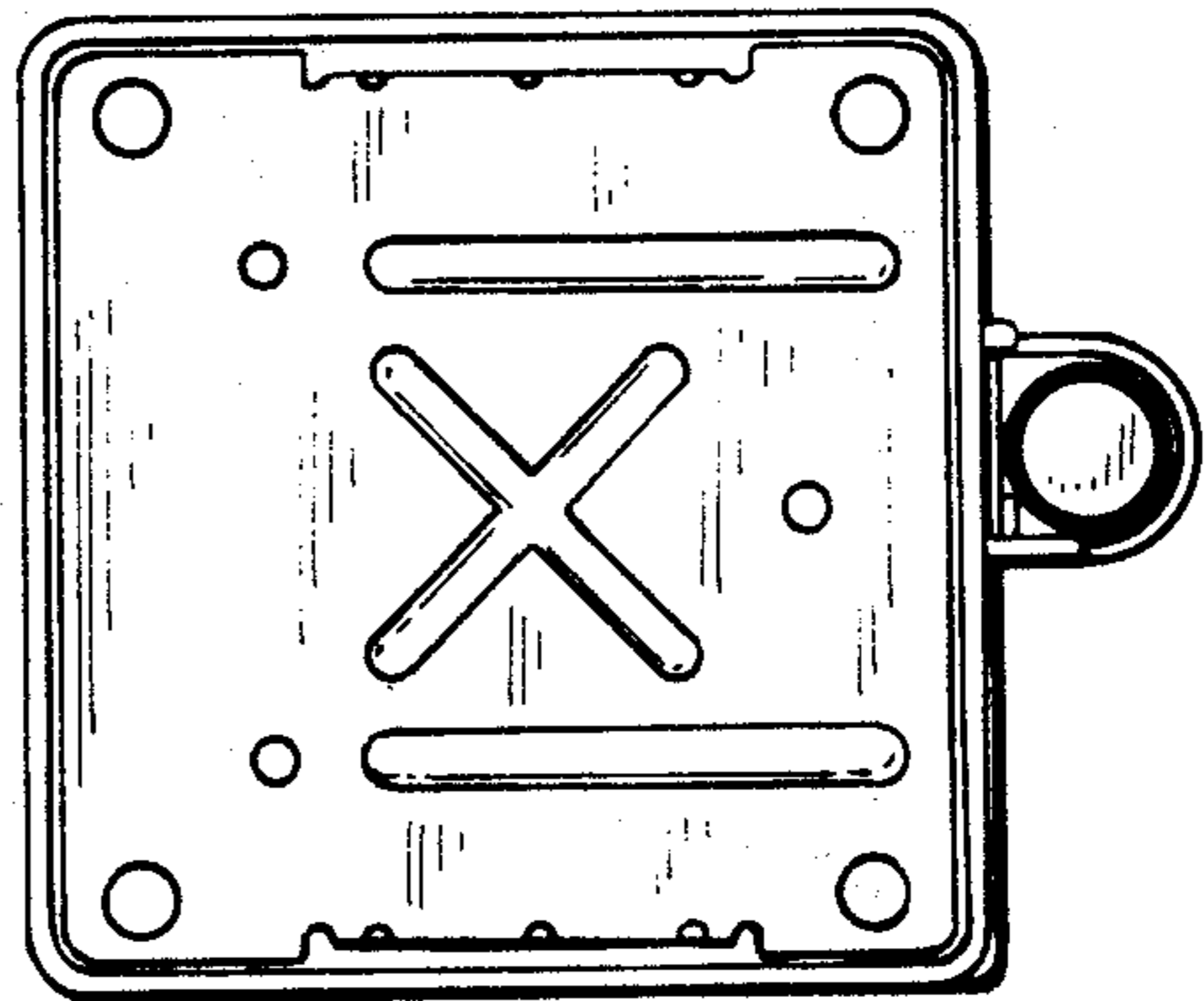


FIG. 6.

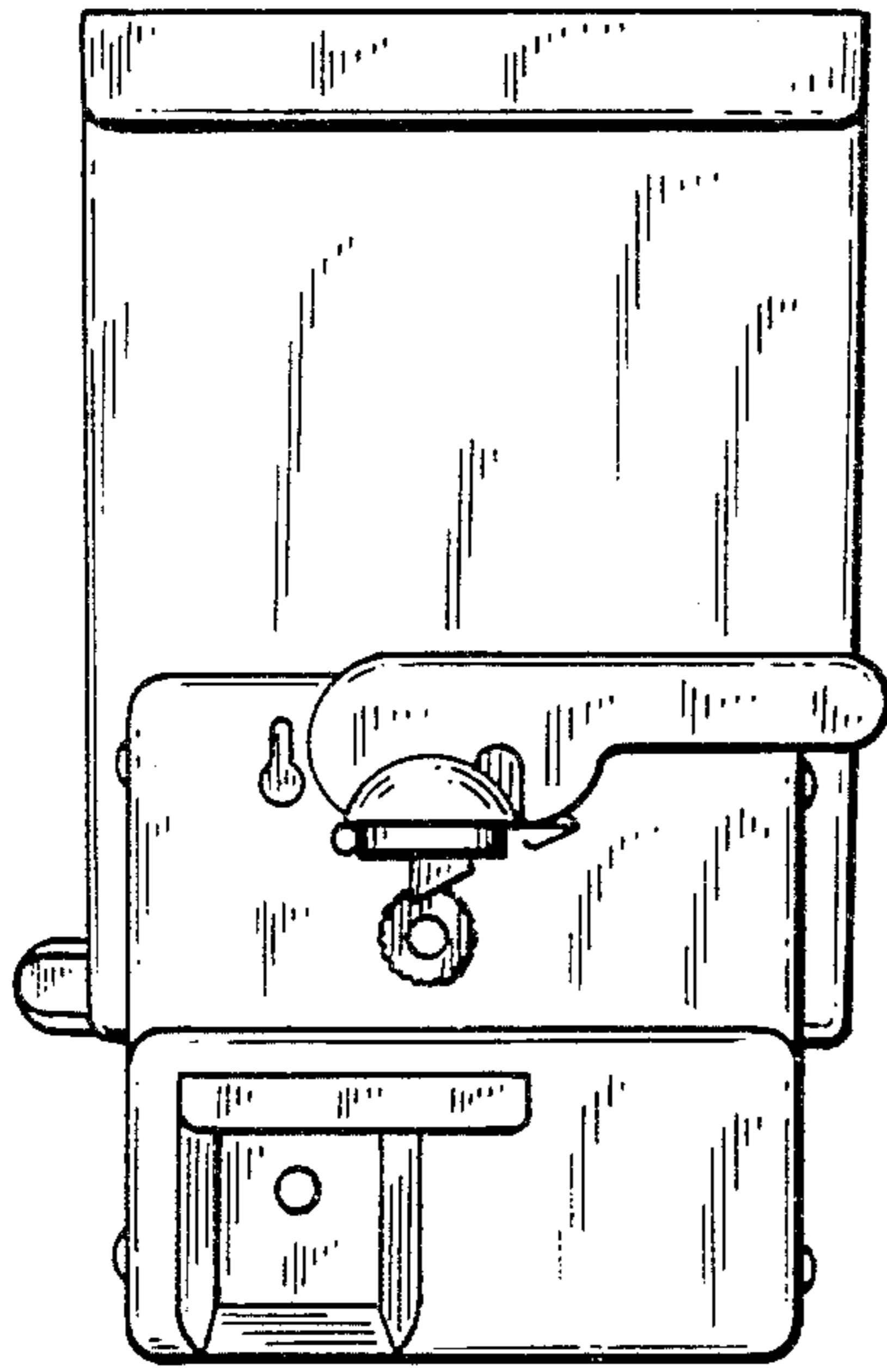


FIG. 7.

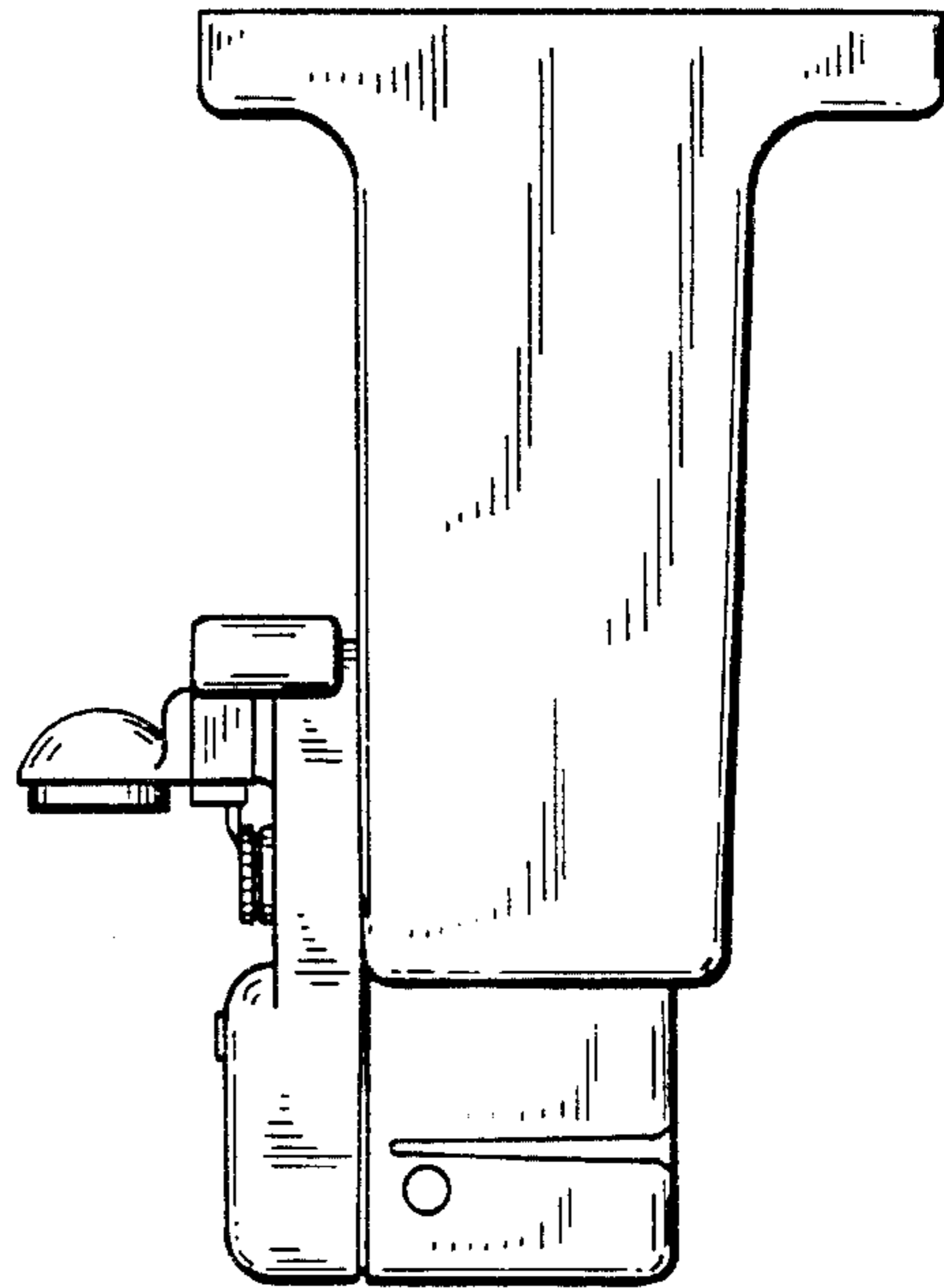


FIG. 8.

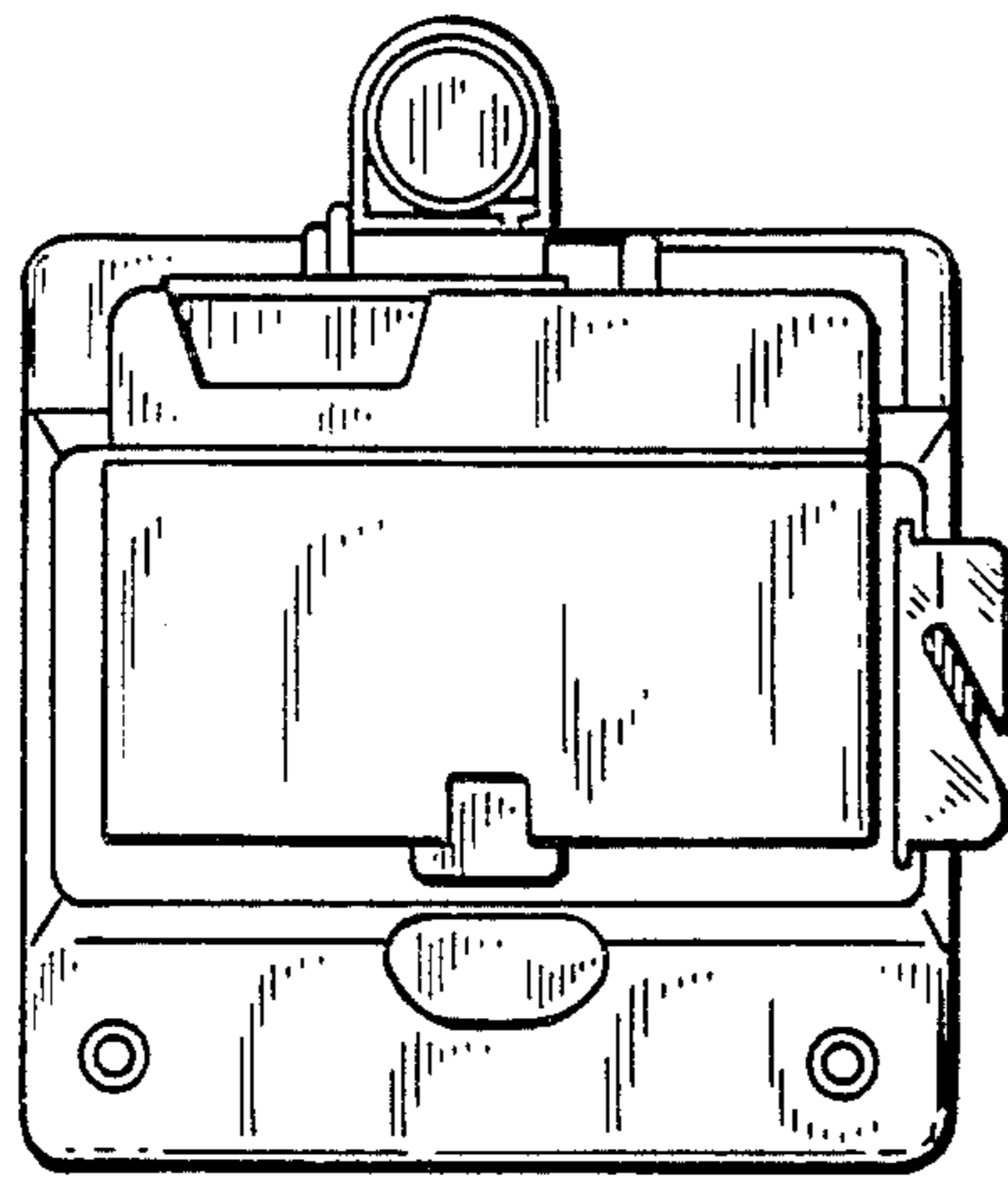


FIG. 9.

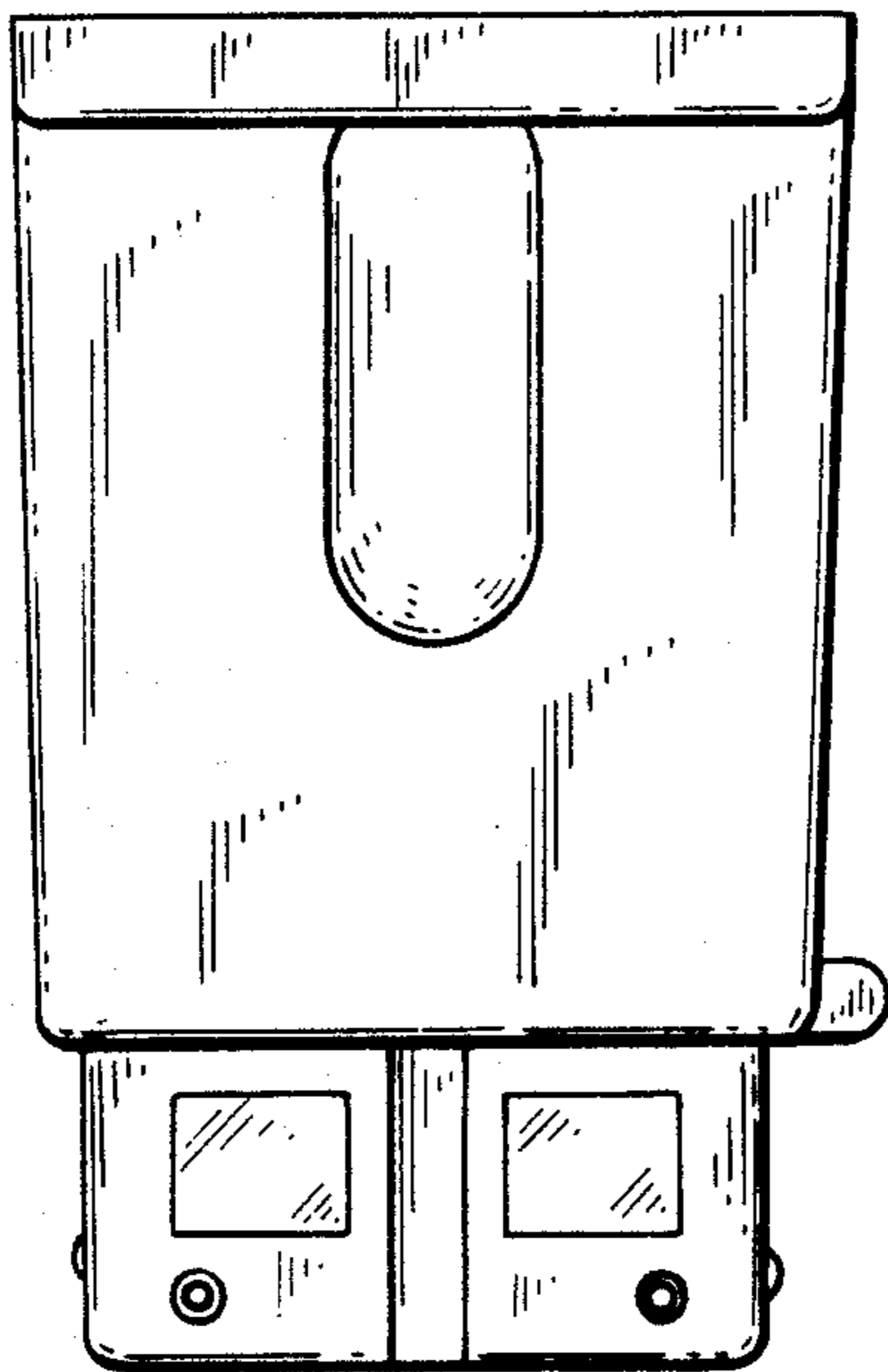


FIG. 10.

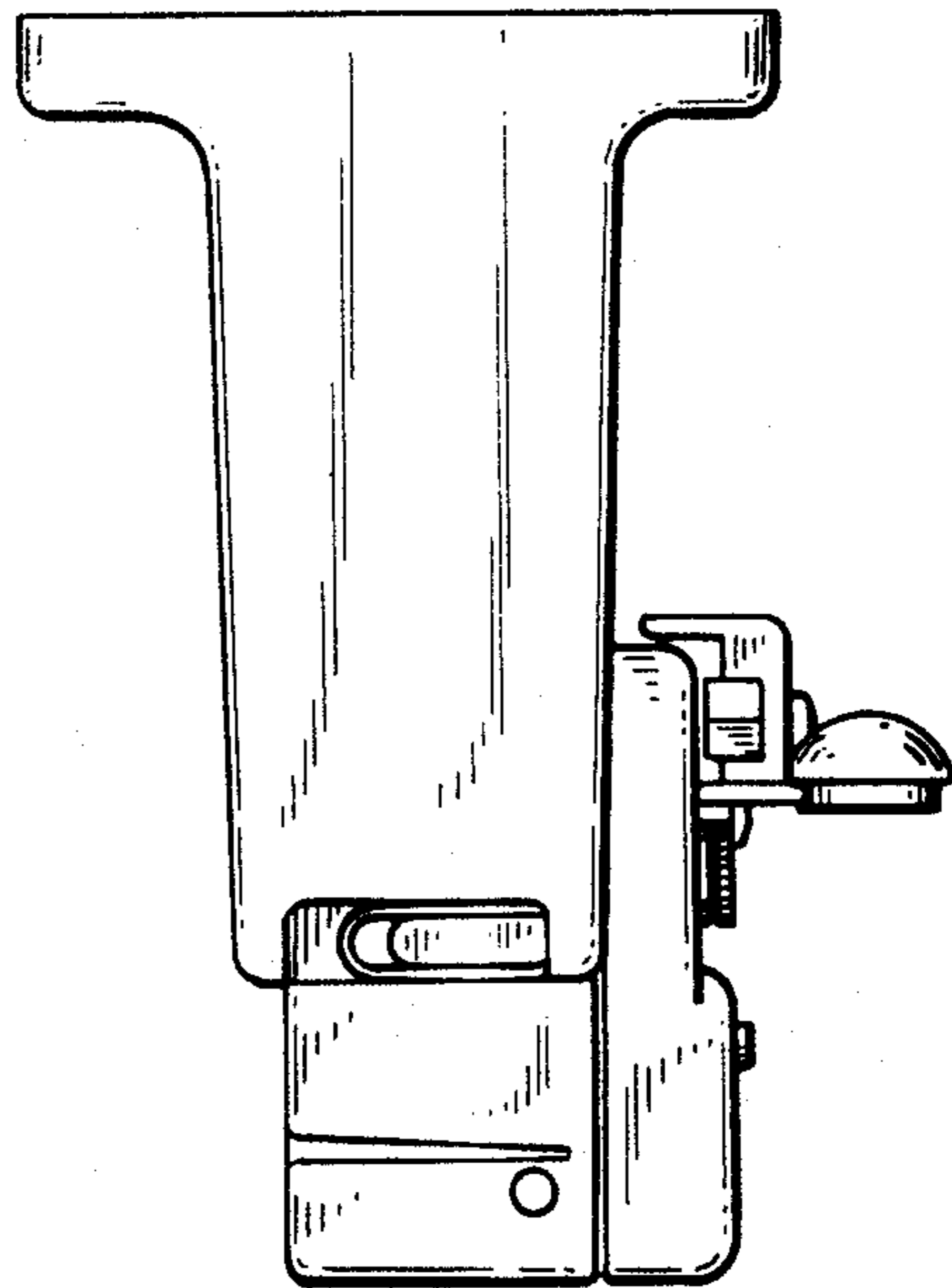


FIG. 11.

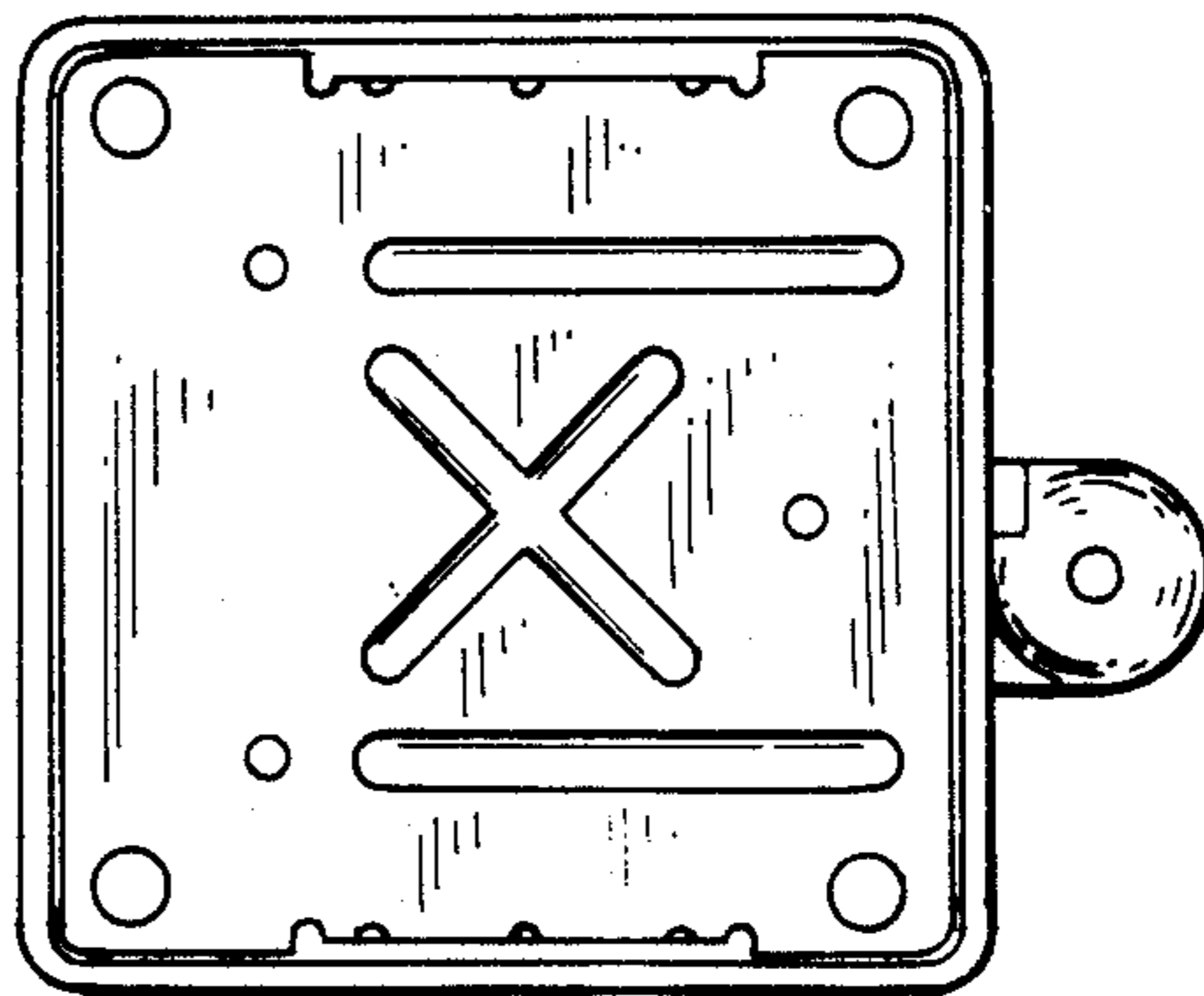


FIG. 12.