

[54] KNIFE HANDLE FOR SLICING MEAT OR SIMILAR ARTICLE

[76] Inventor: Göran Ygfors, Kvarnvägen 6, 175 41 Järfälla, Sweden

[**] Term: 14 Years

[21] Appl. No.: 703,749

[22] Filed: Feb. 21, 1985

[30] Foreign Application Priority Data

Aug. 30, 1984 [SE] Sweden 84-2324

[52] U.S. Cl. D7/152; D7/151; D8/97

[58] Field of Search 30/340; D8/97, 98; D22/149, 118; D7/150, 137, 152, 151, 141

[56] References Cited

U.S. PATENT DOCUMENTS

D. 184,860	4/1959	Dreier	D8/97
D. 208,245	8/1967	Peterson	D8/97
955,050	4/1910	Bresnahan	D7/151 X
2,389,882	11/1945	Wood, Jr.	30/340

Primary Examiner—Winifred E. Hermann
Attorney, Agent, or Firm—Nies, Webner, Kurz & Bergert

[57] CLAIM

The ornamental design for a knife handle for slicing meat or similar article, substantially as shown and described.

DESCRIPTION

FIG. 1 is a side elevational view of a knife handle for slicing meat or similar article showing my new design, the broken line showing of a knife blade is for illustrative purposes only and forms no part of the claimed design;

FIG. 2 is a front elevational view thereof from the right of FIG. 1;

FIG. 3 is a rear elevational view thereof from the left of FIG. 1;

FIG. 4 is a top plan view thereof; and

FIG. 5 is a bottom plan view thereof.

The opposite side of FIG. 1 is a mirror image of the side shown in FIG. 1.

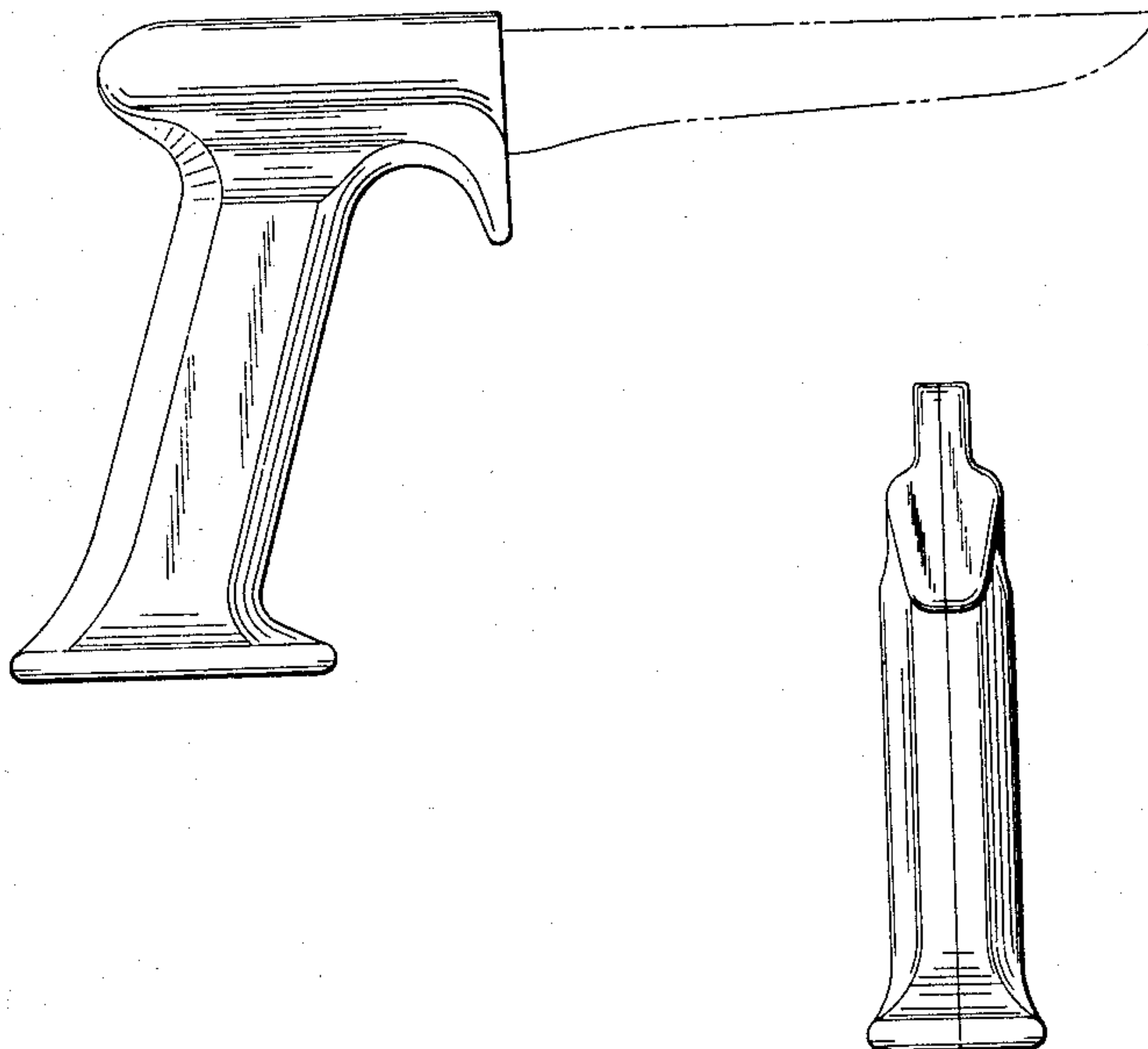


Fig. 1

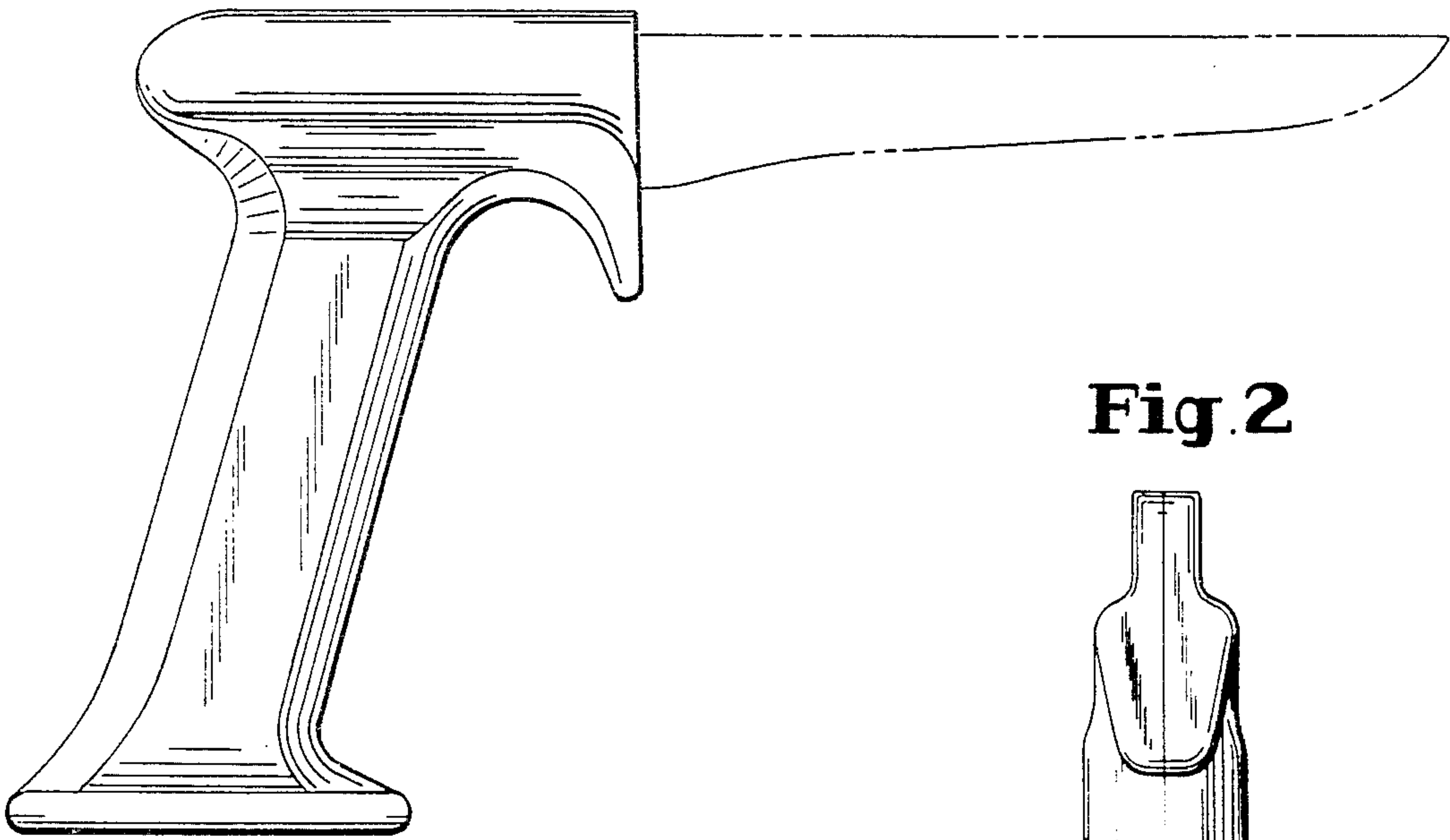


Fig. 2

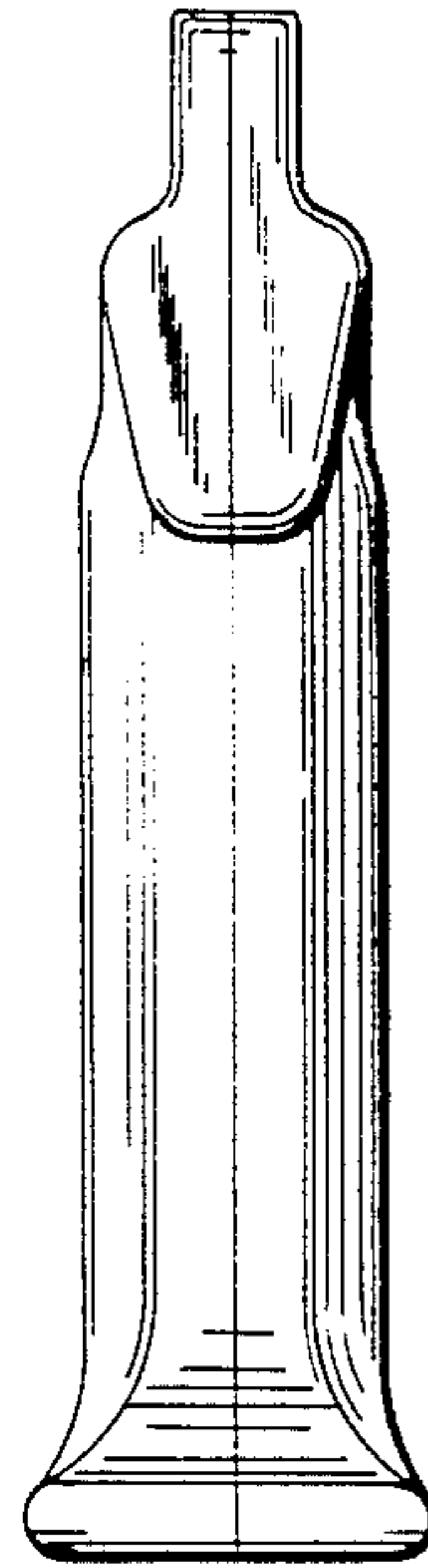


Fig. 3

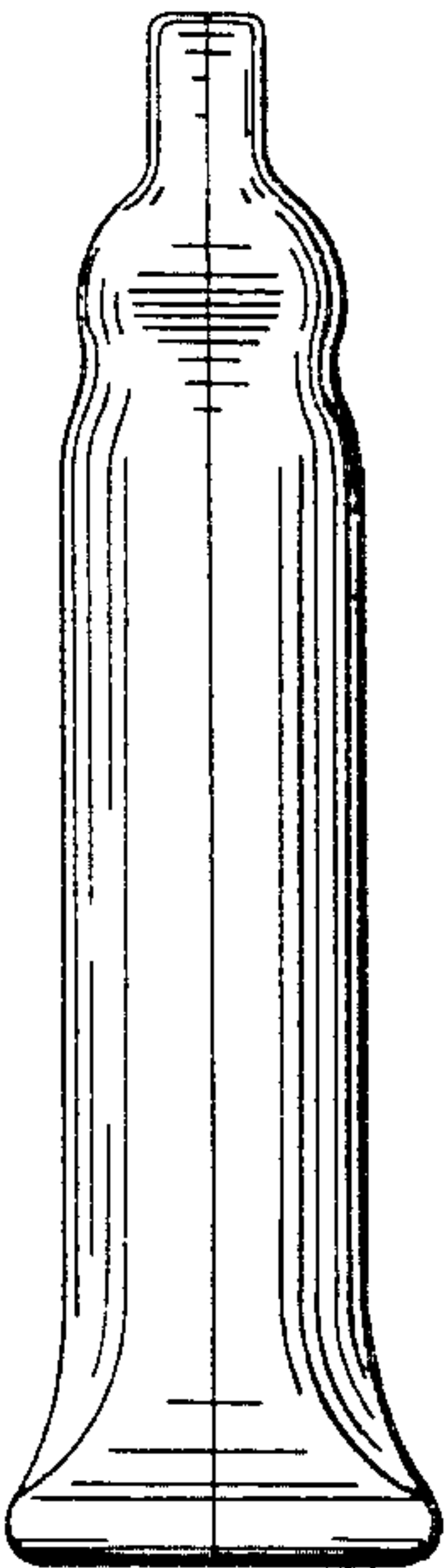


Fig. 4

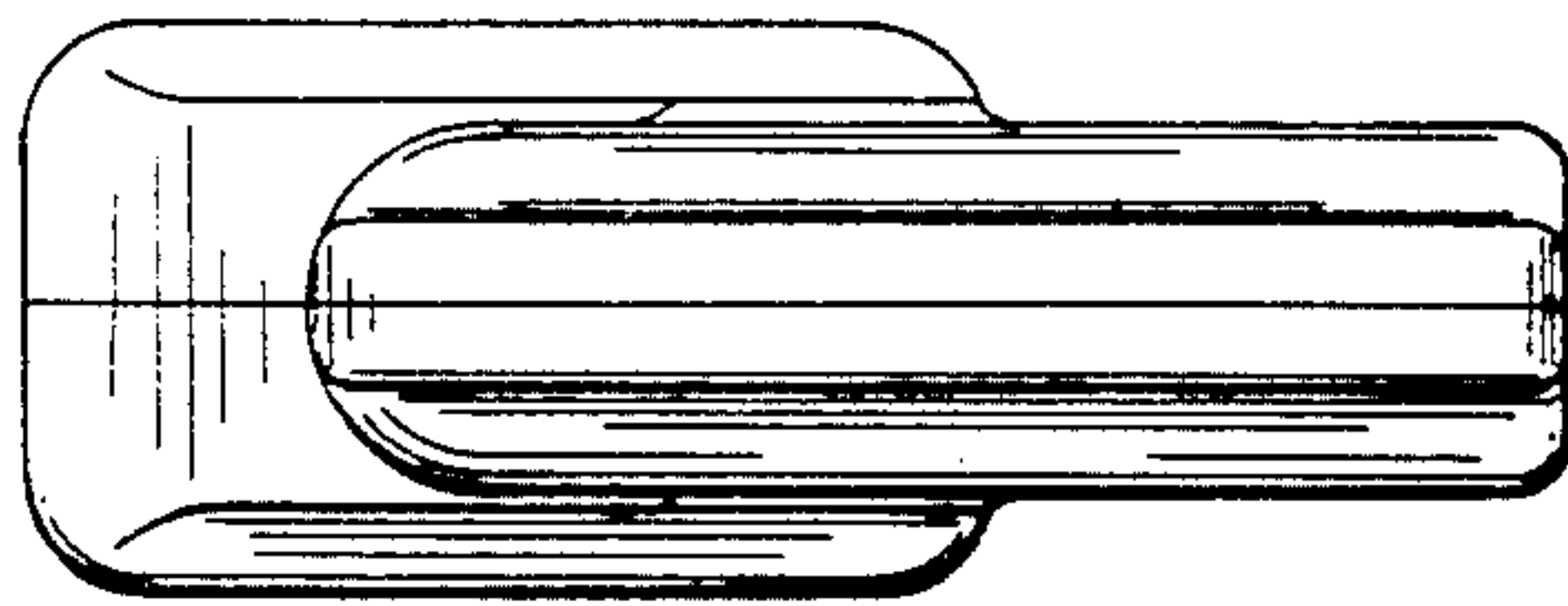


Fig. 5

