

[54] **SHELF UNIT**

[75] **Inventor: Leroy Ray, Greene County, Mo.**
[73] **Assignee: Storage Unlimited, Inc., Nixa, Mo.**
[**] **Term: 14 Years**
[21] **Appl. No.: 728,613**

[22] **Filed: Apr. 29, 1985**
[52] **U.S. Cl. D6/465**
[58] **Field of Search D6/479, 462, 463, 464,
D6/465; 108/144; 211/187**

[56] **References Cited**

U.S. PATENT DOCUMENTS

D. 215,773 10/1979 Maslow D6/462
3,424,111 1/1969 Maslow 108/144
3,675,598 7/1972 Kesilman et al. 108/144

4,257,333 3/1981 Pollack 108/144
4,318,352 3/1982 Friedman et al. 108/144 X

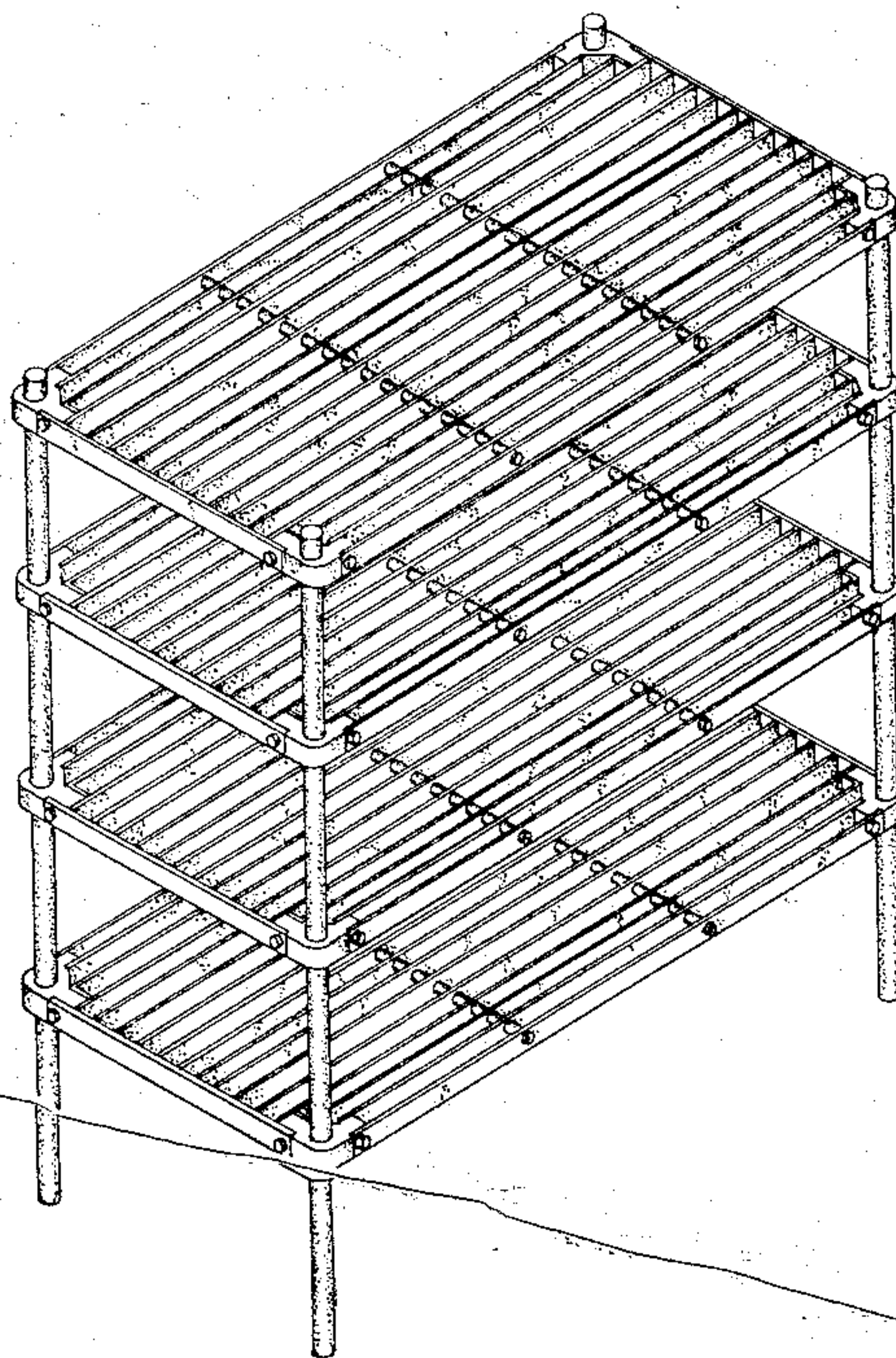
Primary Examiner—Carmen H. Vales
Attorney, Agent, or Firm—Polster, Polster & Lucchesi

[57] **CLAIM**

The ornamental design for a shelf unit, as shown and described.

DESCRIPTION

FIG. 1 is a perspective view of a shelf unit showing my new design;
FIG. 2 is a top plan view, the bottom plan view being identical thereto;
FIG. 3 is a front elevational view, the rear view being identical thereto;
FIG. 4 is a left end elevational view, the right end being identical thereto.



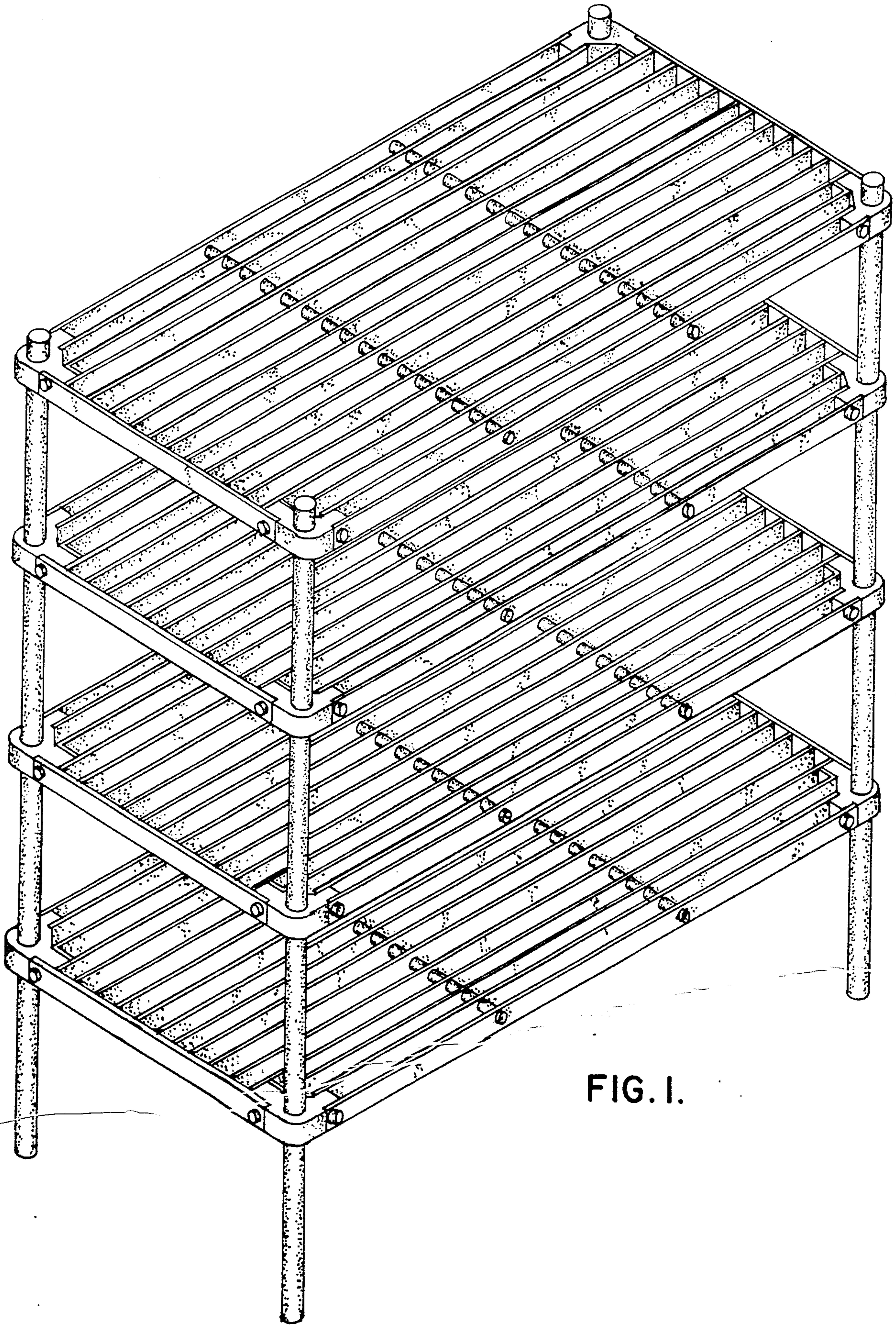


FIG. I.

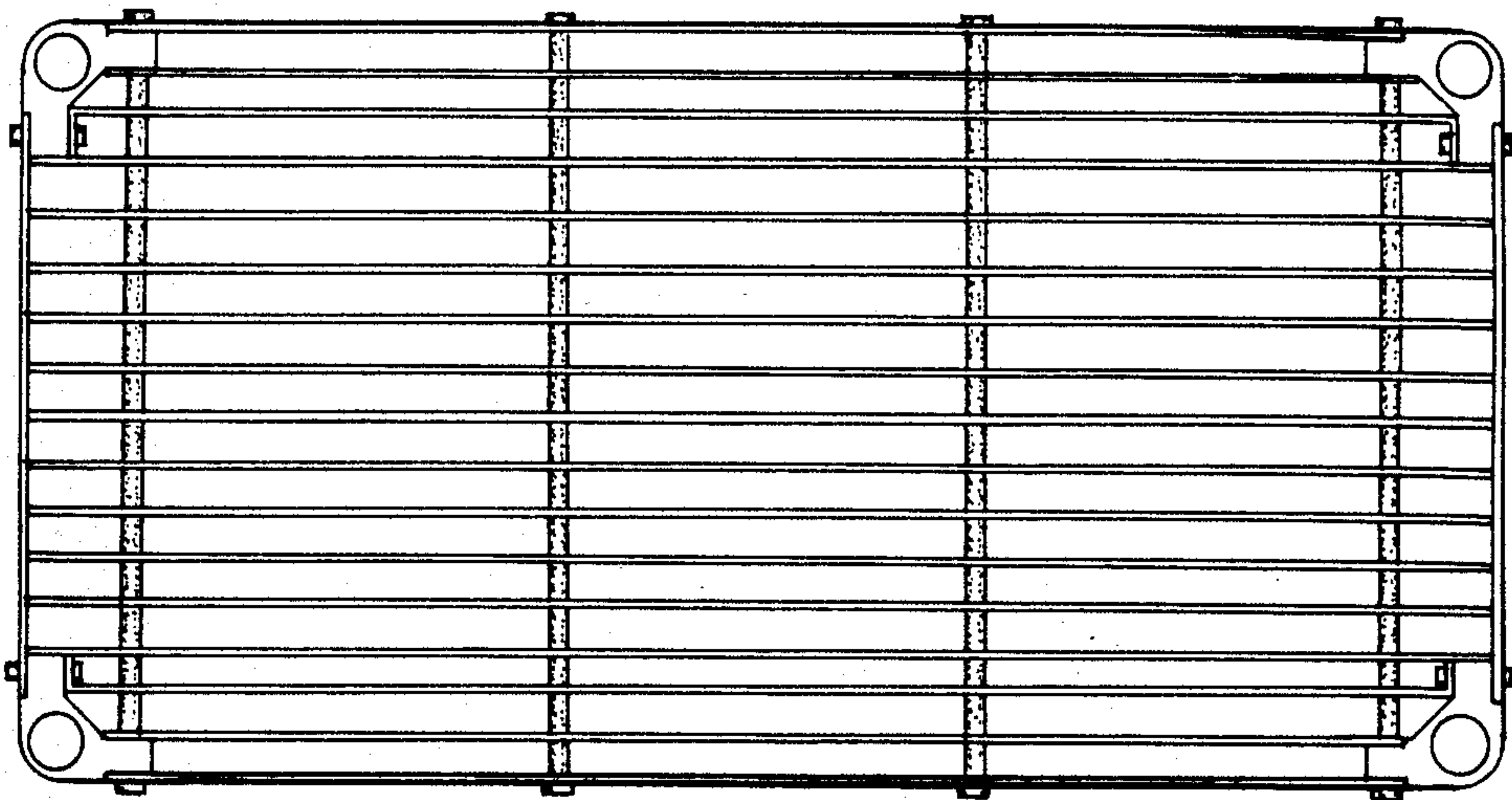


FIG. 2.

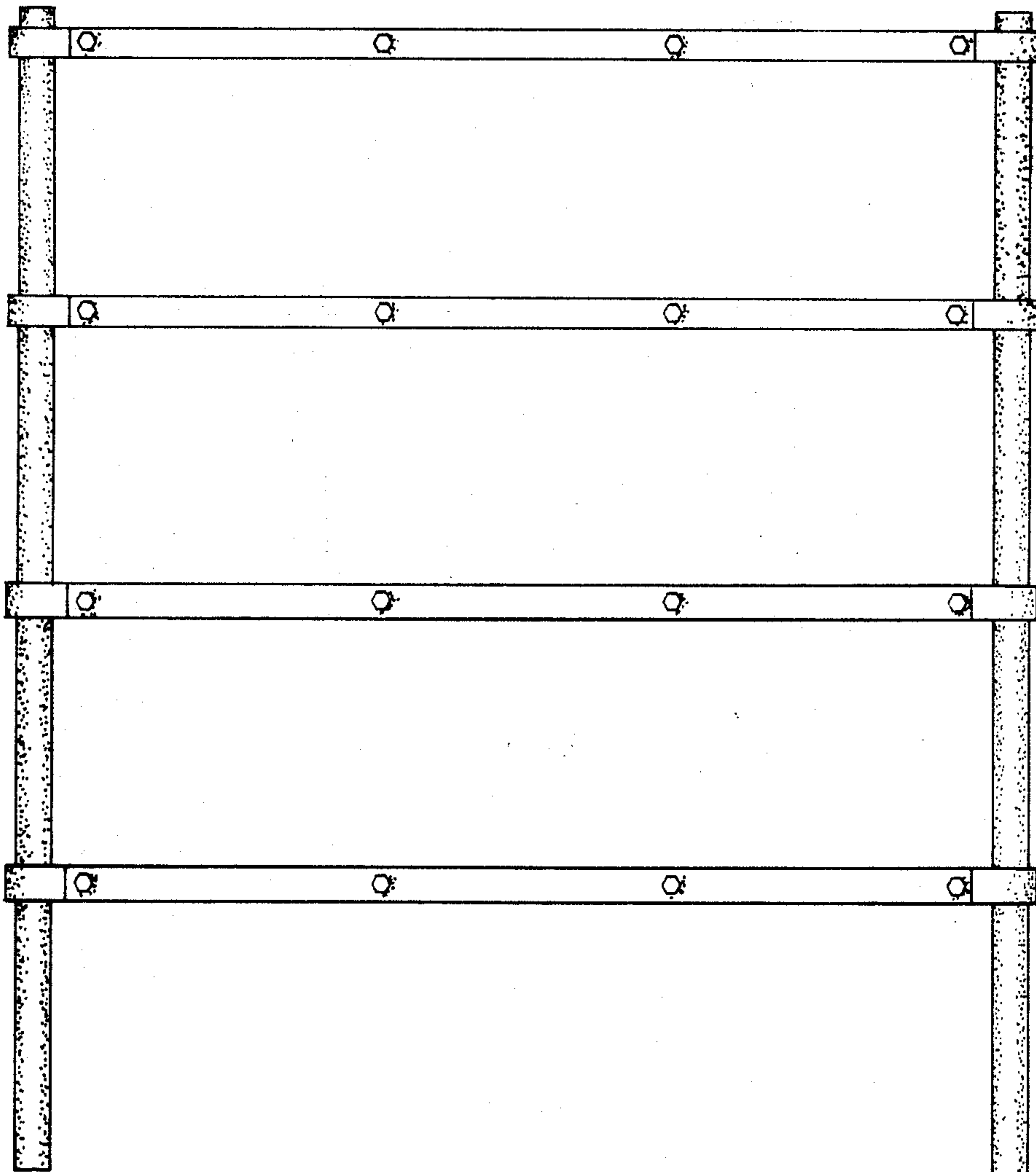


FIG. 3.

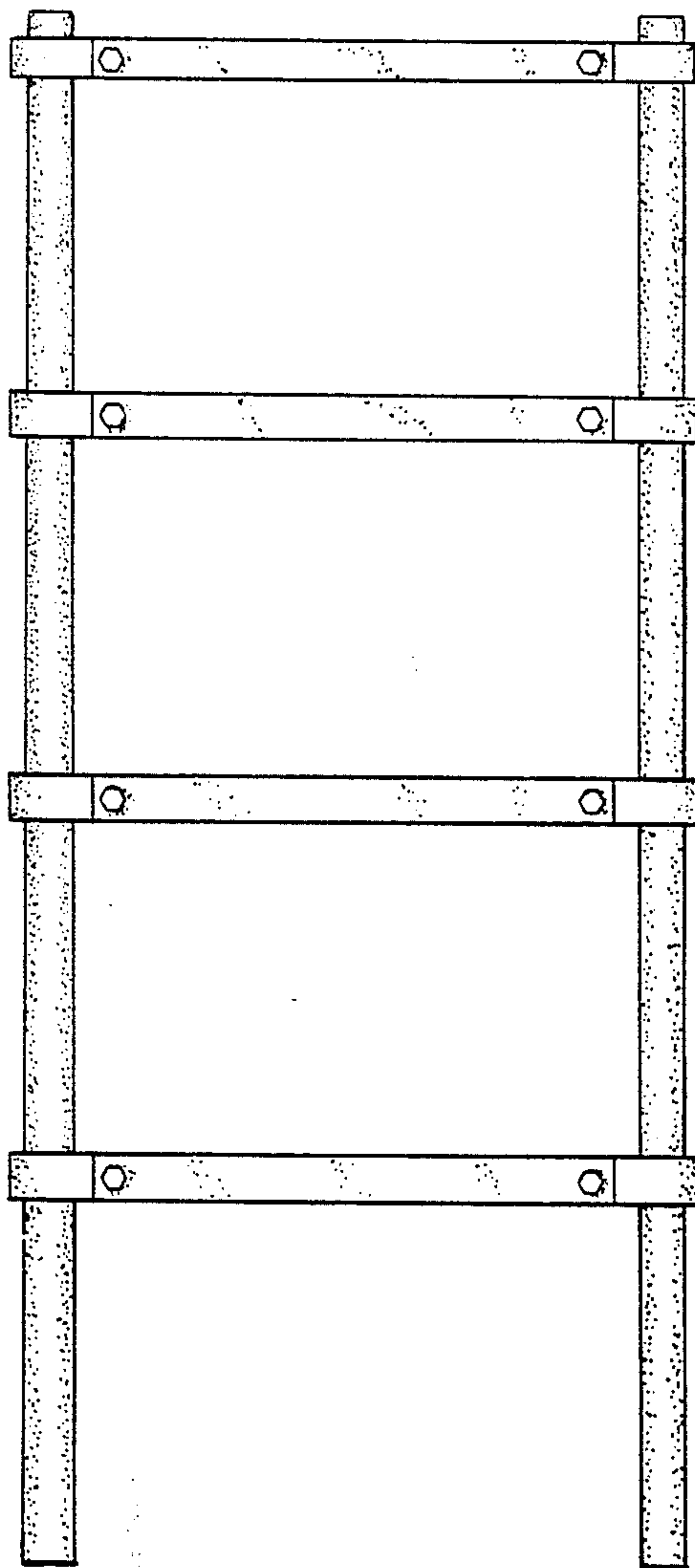


FIG. 4.