

[54] STORAGE RACK FOR BOOKS, TAPES, RECORDS AND THE LIKE

[75] Inventors: Harley E. Luyk, Grand Rapids; Robert K. Boardman, Holland, both of Mich.; Jean E. Dahlgren, Dallas; Christine J. Voigt, Arlington, both of Tex.

[73] Assignee: The Worden Company, Holland, Mich.

[**] Term: 14 Years

[21] Appl. No.: 626,687

[22] Filed: Jul. 2, 1984

[52] U.S. Cl. D6/465

[58] Field of Search D6/332, 329, 462, 463, D6/464, 465; 211/133, 208, 131

[56] References Cited

U.S. PATENT DOCUMENTS

- D. 188,399 7/1960 Link D6/465
- D. 247,532 3/1978 Tenney D6/465

4,172,334 10/1979 Nielsen D6/332 X

FOREIGN PATENT DOCUMENTS

623470 6/1981 Switzerland 211/131

OTHER PUBLICATIONS

Reeve Store Equipment catalog #76, p. 45; Classic Units—"Shure Sell" #6530, 6536, 6548 right on page.
 Reeve Store Equipment cat. #76, p. 81; Small Item Jumble Basket #247 bottom right on page.
 Lozier Store Fixtures 9/15/80 p. 18; T-Base Frame Access, top left on page.

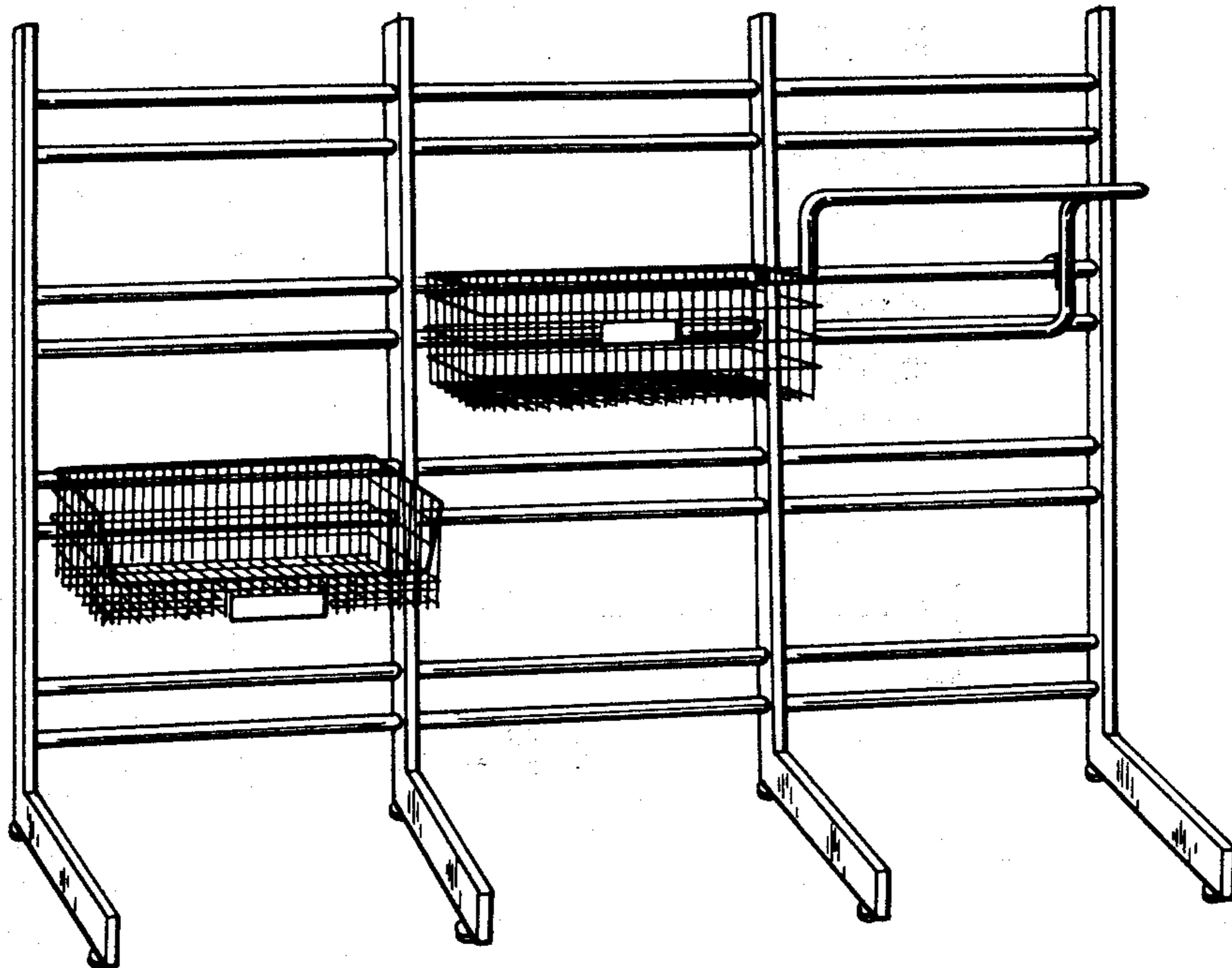
Primary Examiner—Carmen H. Vales
 Attorney, Agent, or Firm—Varnum, Riddering, Schmidt & Howlett

[57] CLAIM

The ornamental design for a storage rack for books, tapes, records and the like, as shown and described.

DESCRIPTION

FIG. 1 is a perspective view of a storage rack for books, tapes, records and the like showing our new design; and FIG. 2 is a left-side elevational view thereof.



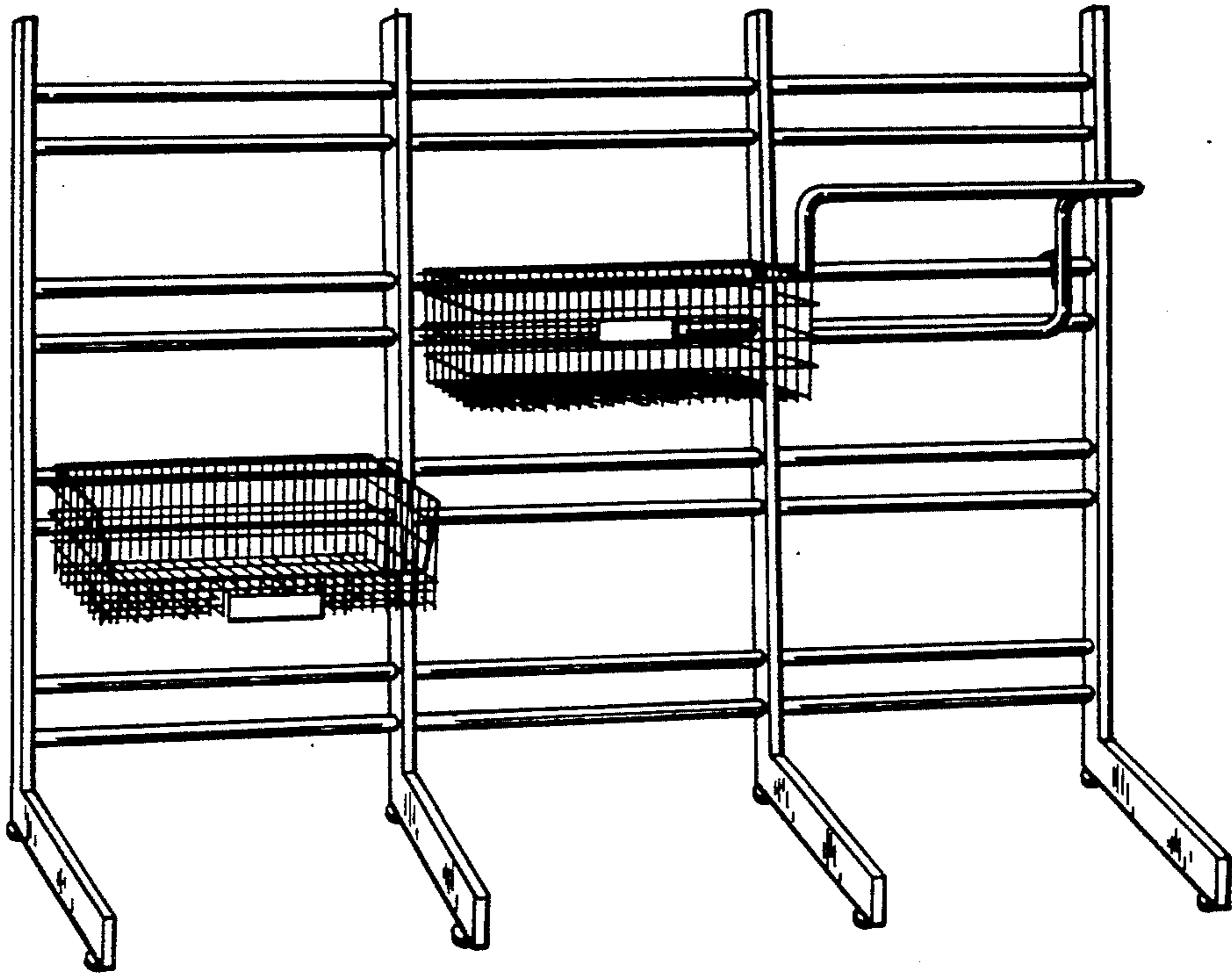


FIG. 1

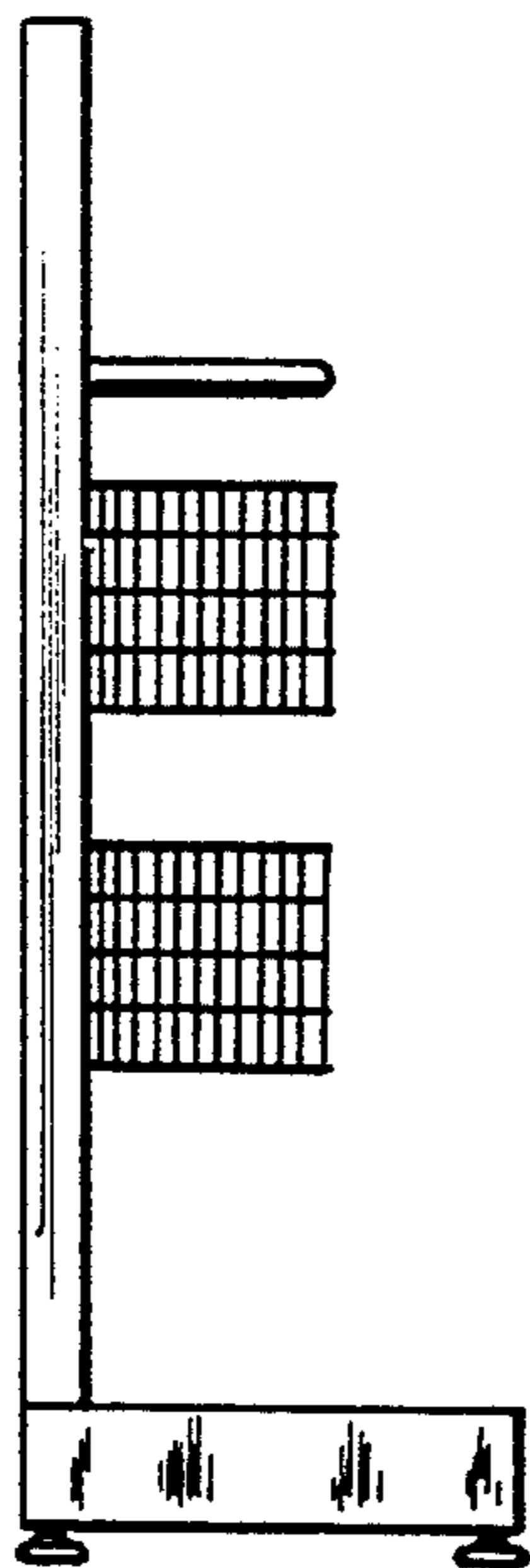


FIG. 2