

[54] **CHAIR**

[75] **Inventor: Mauro Monesi, S. Lazzaro di Savena, Italy**

[73] **Assignee: Castelli S.p.A., Bologna, Italy**

[**] **Term: 14 Years**

[21] **Appl. No.: 707,985**

[22] **Filed: Mar. 4, 1985**

[30] **Foreign Application Priority Data**

Sep. 4, 1984 [IT] Italy 53784/84[U]

[52] **U.S. Cl. D6/366**

[58] **Field of Search D6/334, 364, 365, 366, D6/367, 498; 297/306, 354, 355, 408, 455**

[56]

References Cited

U.S. PATENT DOCUMENTS

D. 267,680	1/1983	Leffler et al.	D6/366
D. 270,309	8/1983	Ochsner	D6/366
D. 275,430	9/1984	Ochsner	D6/366
D. 278,869	5/1985	Bohl	D6/366
4,007,962	2/1977	Müller-Deisig	297/306

Primary Examiner—Bruce W. Dunkins
Attorney, Agent, or Firm—Sughrue, Mion, Zinn, Macpeak, and Seas

[57]

CLAIM

The ornamental design for a chair, as shown.

DESCRIPTION

FIG. 1 is a left side elevational view of a chair showing my design;
FIG. 2 is a front elevational view;
FIG. 3 is a top plan view;
FIG. 4 is a right side elevational view;
FIG. 5 is a rear elevational view; and
FIG. 6 is a bottom plan view thereof.

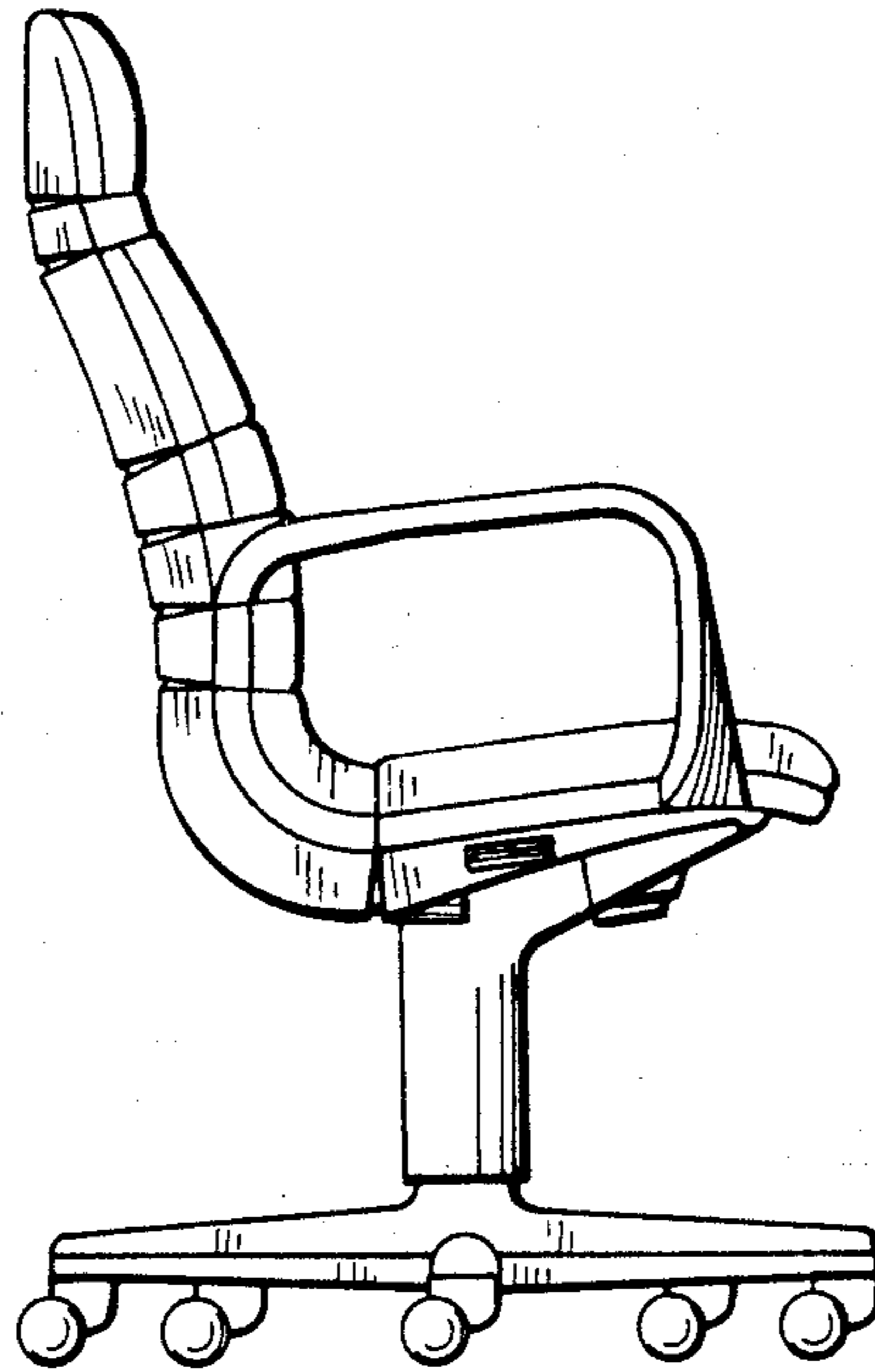


FIG. 1

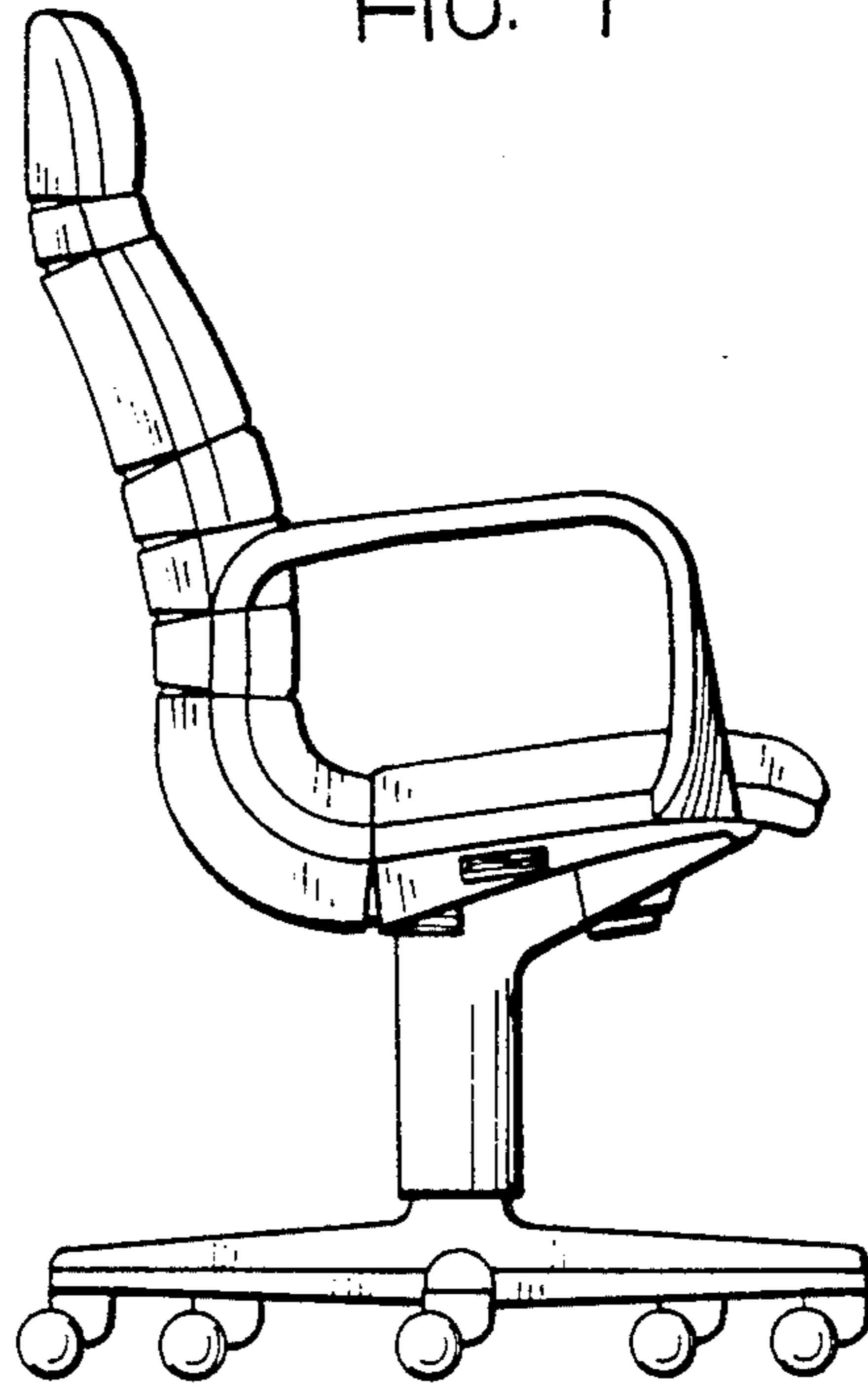


FIG. 2

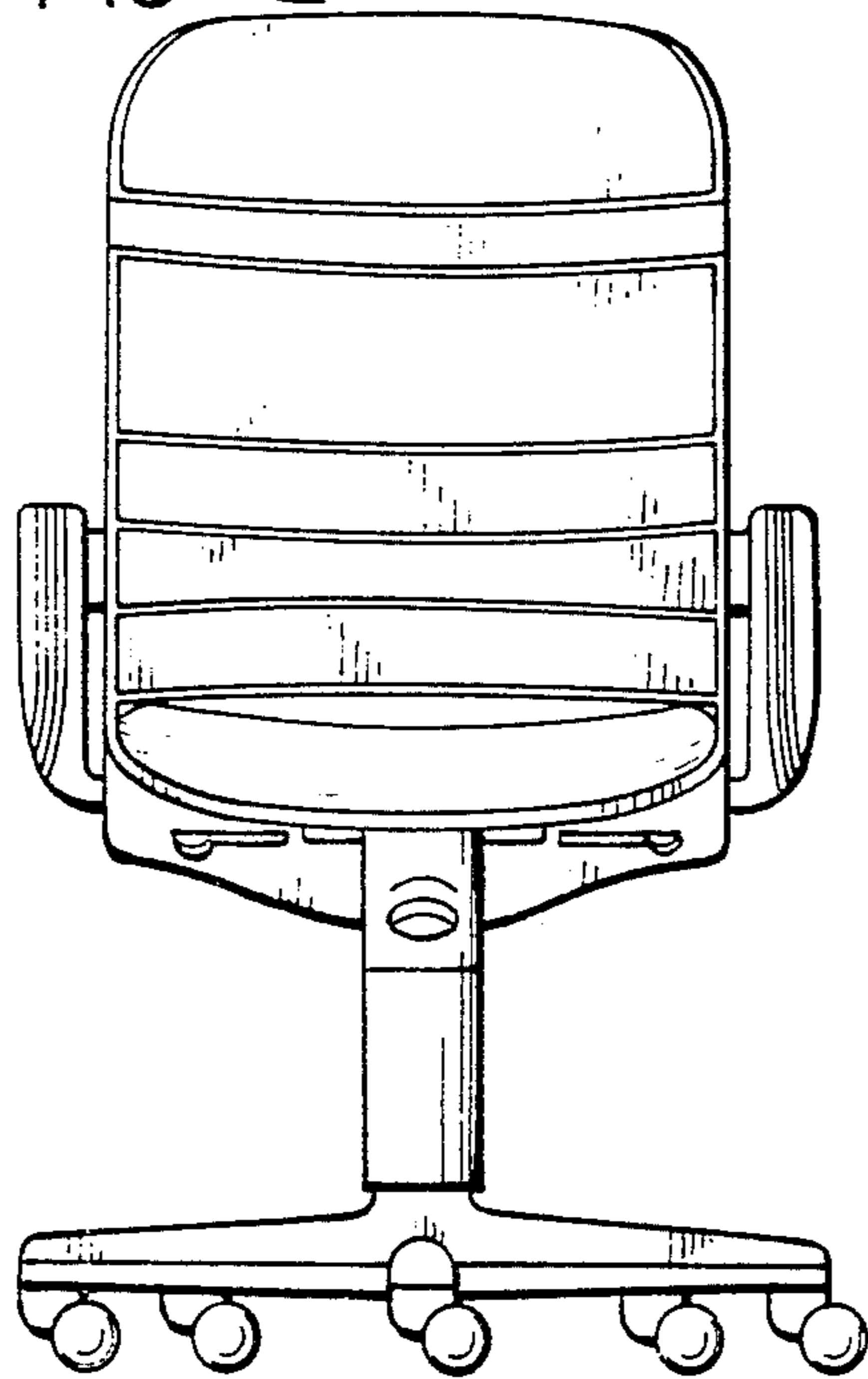


FIG. 3

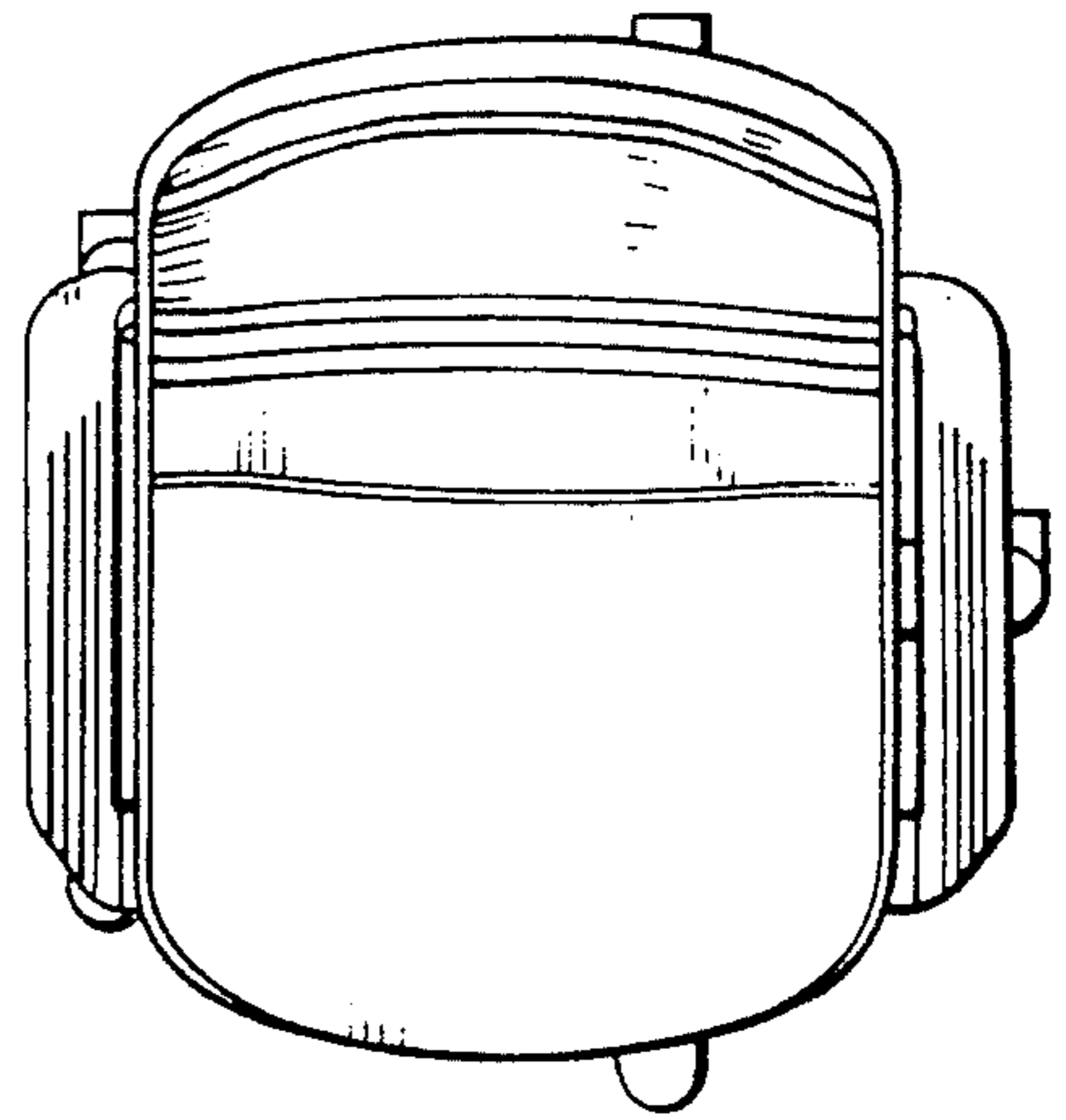


FIG. 4

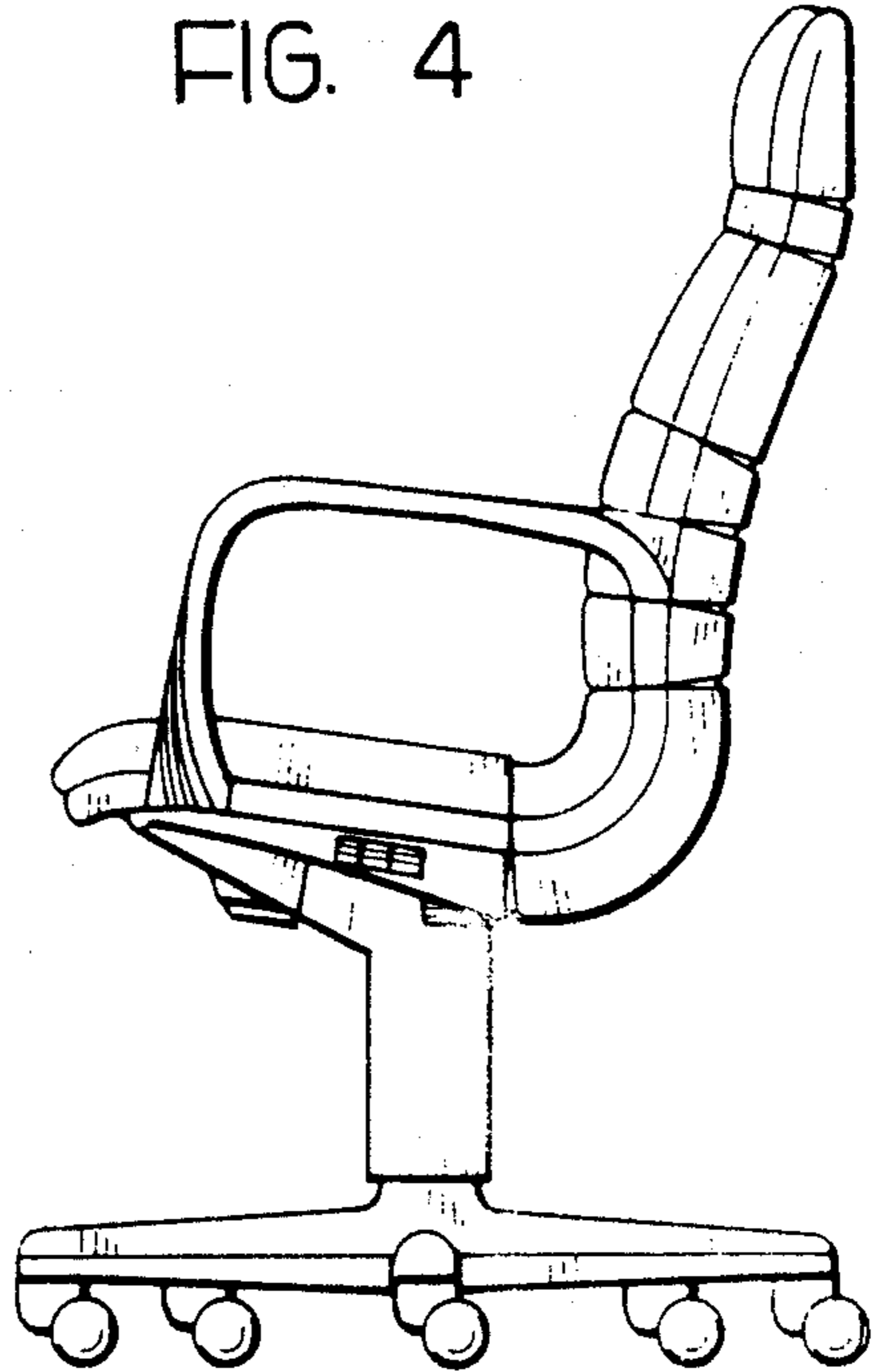


FIG. 6

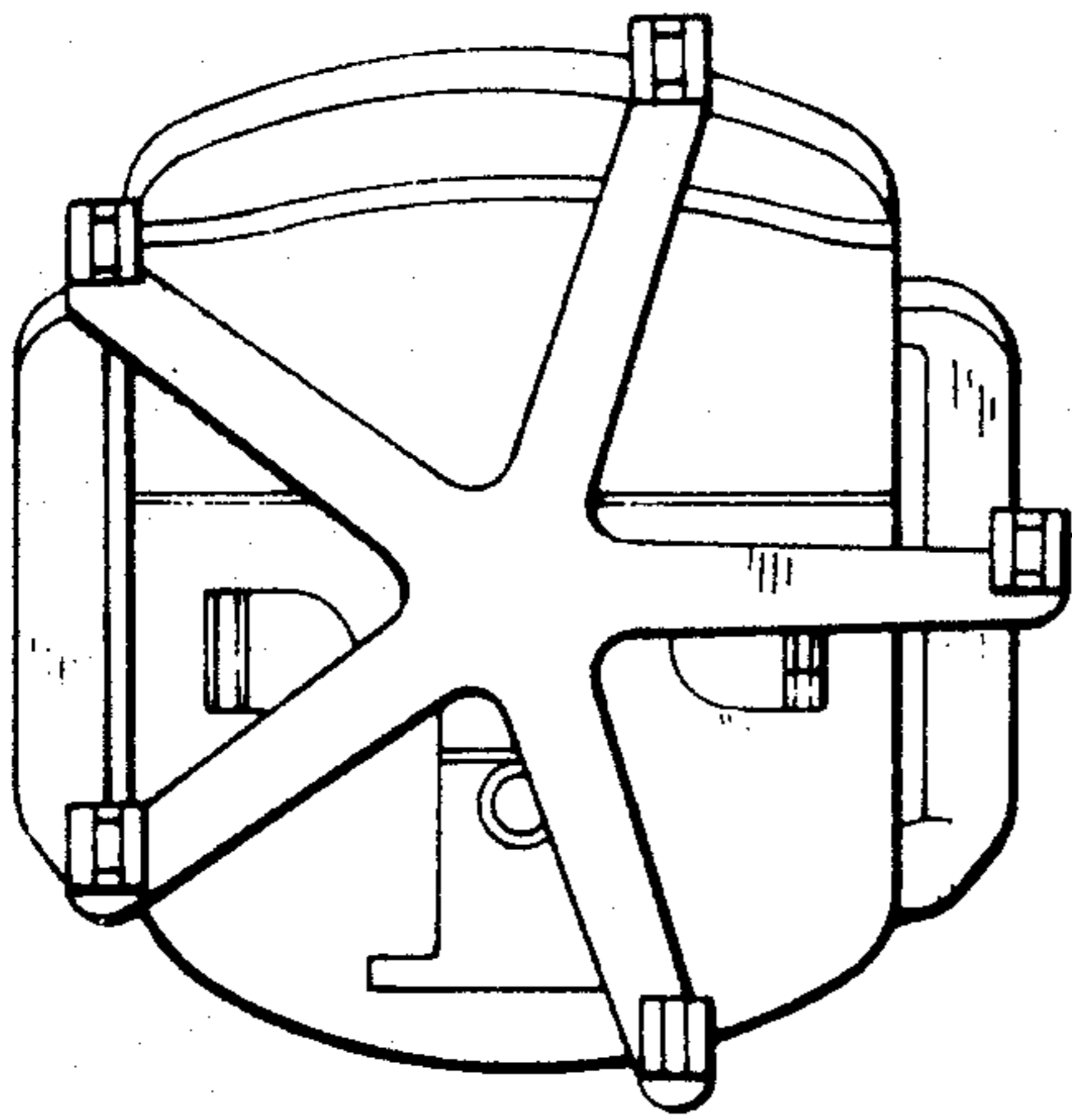


FIG. 5

