

[54] CAP RACK

[76] Inventor: Patricia J. Owen, P.O. Box 710, El Dorado, Kans. 67042

[**] Term: 14 Years

[21] Appl. No.: 707,477

[22] Filed: Mar. 1, 1985

[52] U.S. Cl. D6/323; D6/317; D6/320; D6/569

[58] Field of Search D6/315, 317, 320, 323, D6/552, 567, 569; 211/13, 30, 32, 87

[56] References Cited

U.S. PATENT DOCUMENTS

D. 236,567 9/1975 Ballin D6/323

1,687,129 10/1928 Henninger 211/87
2,573,376 10/1951 Wirth 211/87
3,938,667 2/1976 Buckland 211/87

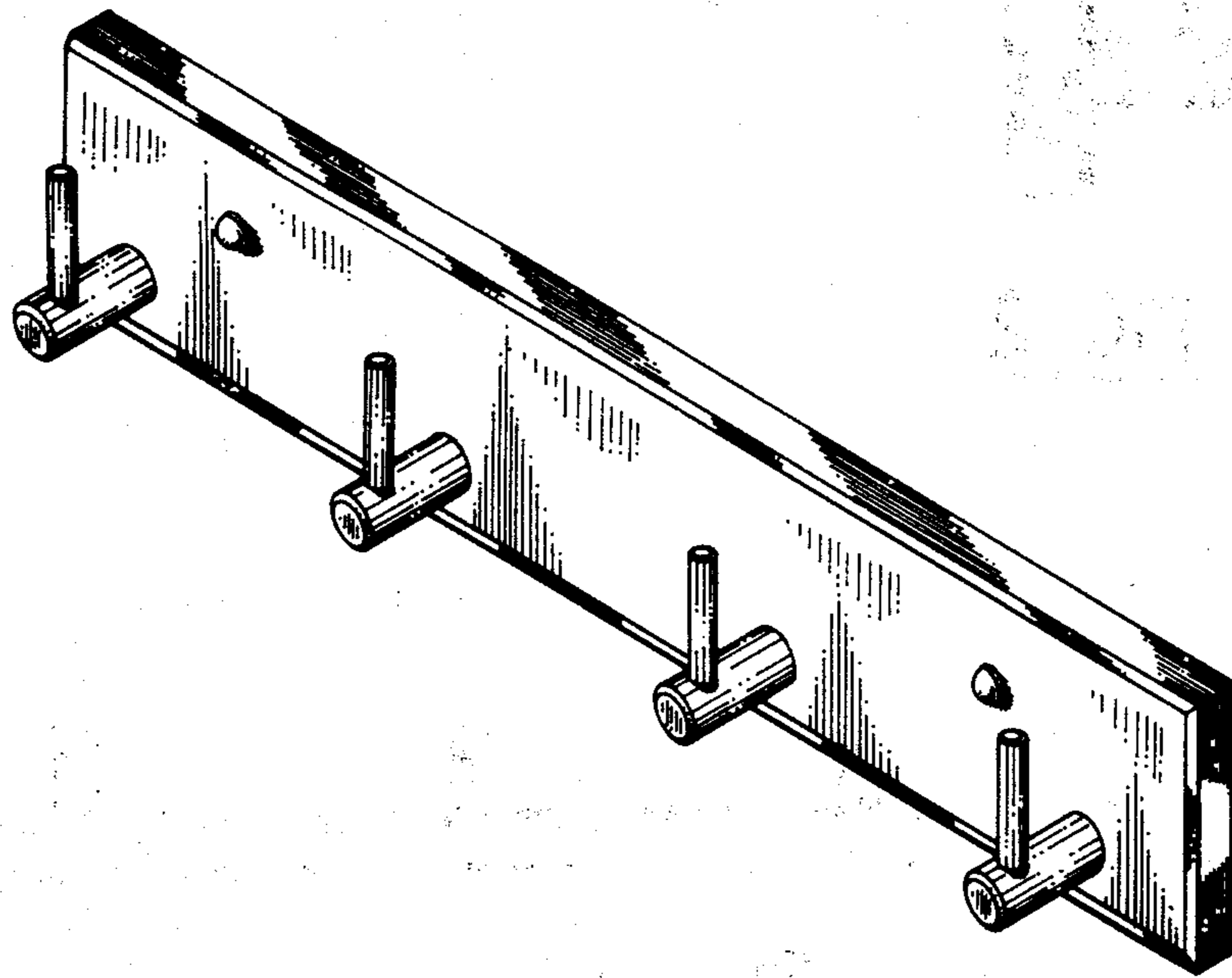
Primary Examiner—B. J. Bullock
Attorney, Agent, or Firm—Edward L. Brown, Jr.

[57] CLAIM

The ornamental design for a cap rack, as shown and described.

DESCRIPTION

FIG. 1 is a perspective view of a cap rack showing my new design, the rear being flat and unornamented; FIG. 2 is a right end view, with the opposite end view being a mirror image thereof; FIG. 3 is a top view; and FIG. 4 is a bottom view.



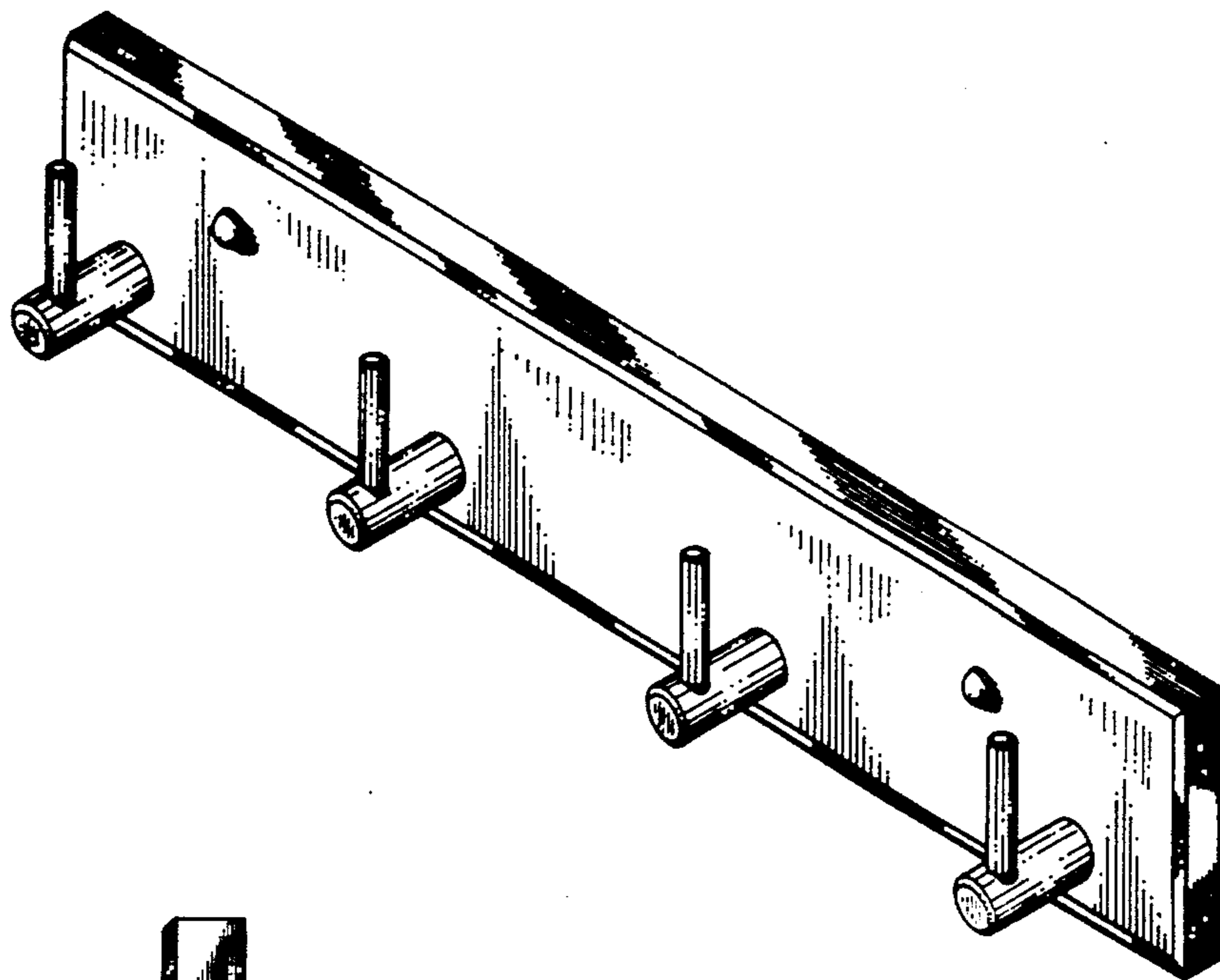


FIG. 1

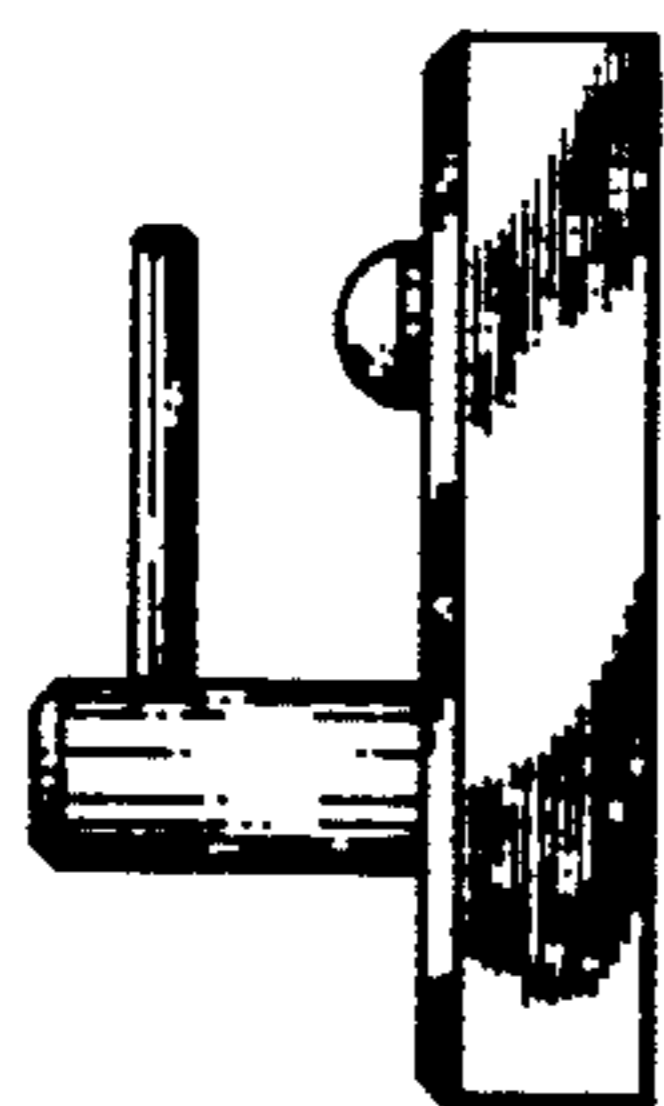


FIG. 2

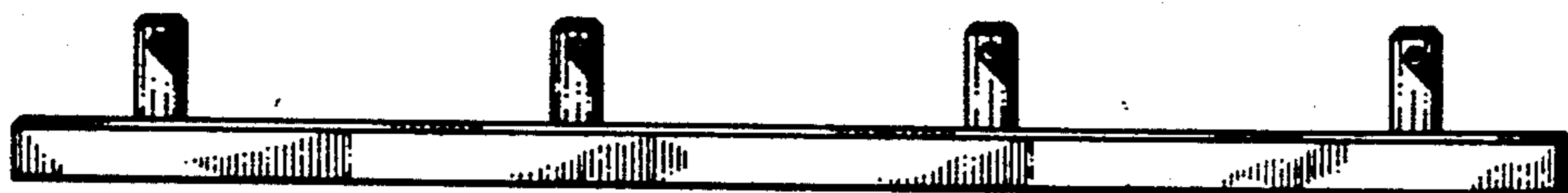


FIG. 3



FIG. 4