

[54] COLLAPSIBLE EASEL

[75] Inventor: Koma Nakatani, Tokyo, Japan

[73] Assignee: Velbon International Corporation, Torrance, Calif.

[\*\*] Term: 14 Years

[21] Appl. No.: 657,935

[22] Filed: Oct. 5, 1984

[52] U.S. Cl. .... D6/312; D6/300; D6/311

[58] Field of Search ..... D6/311, 312, 300; 248/441 R, 448, 449, 450, 454, 460, 464, 465

[56] References Cited

U.S. PATENT DOCUMENTS

- D. 242,757 12/1976 Stark ..... D6/311
- D. 251,820 5/1979 Stark ..... D6/312

- 3,145,966 8/1964 Landon ..... D6/311 X
- 4,017,049 4/1977 Albee, Jr. .... 248/464
- 4,171,116 10/1979 Carver et al. .... 248/464
- 4,203,242 5/1980 Griffin ..... D6/311 X

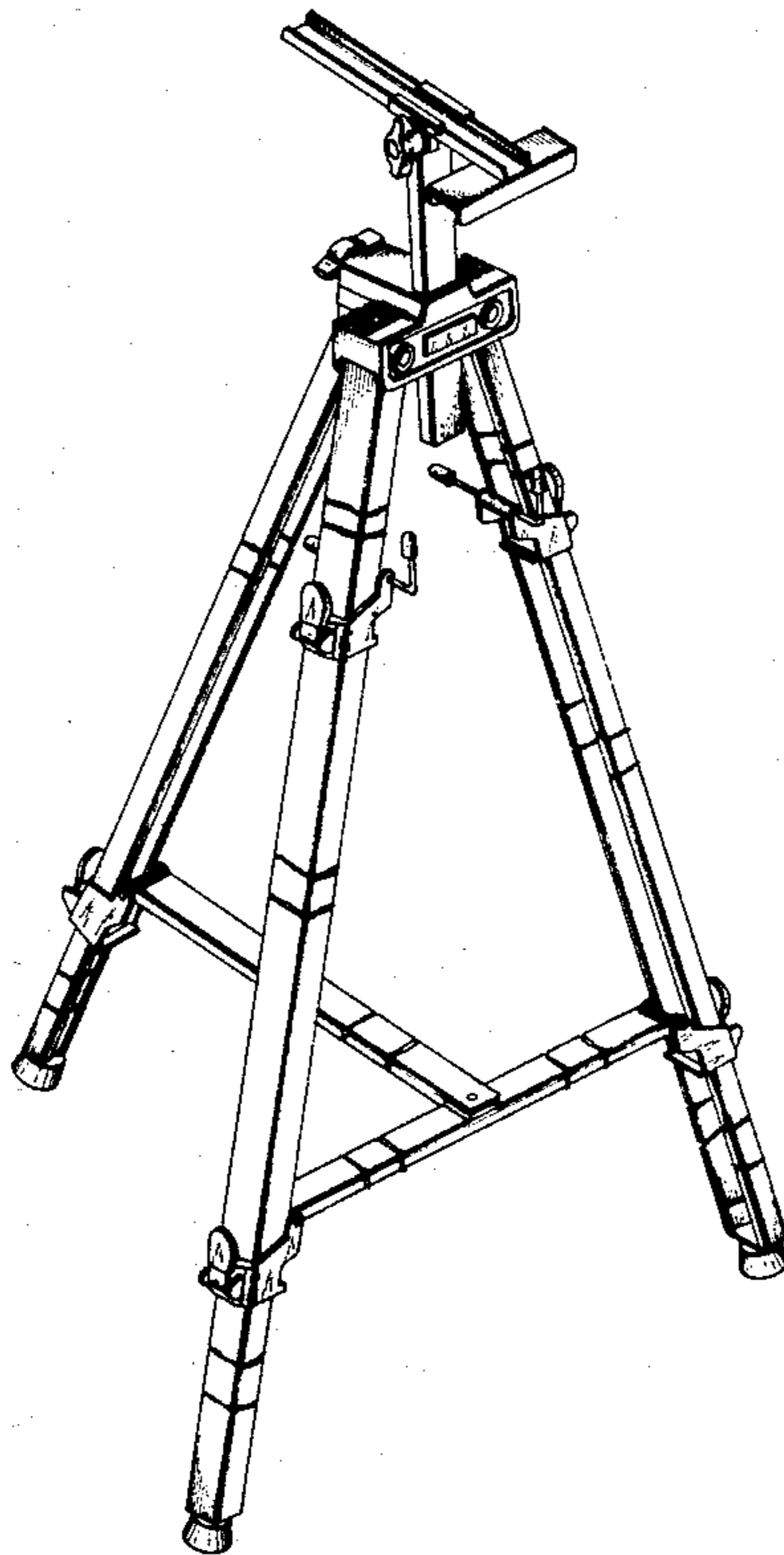
Primary Examiner—Bruce W. Dunkins  
Attorney, Agent, or Firm—Beehler, Pavitt, Siegemund, Jagger, Martella & Dawes

[57] CLAIM

The ornamental design for a collapsible easel, substantially as shown and described.

DESCRIPTION

FIG. 1 is a rear perspective view of a collapsible easel showing my design in collapsed condition; FIG. 2 is a front perspective view thereof; FIG. 3 is a bottom view of the collapsible easel; and FIG. 4 is a front perspective view of the collapsible easel showing the same in fully extended condition for use.



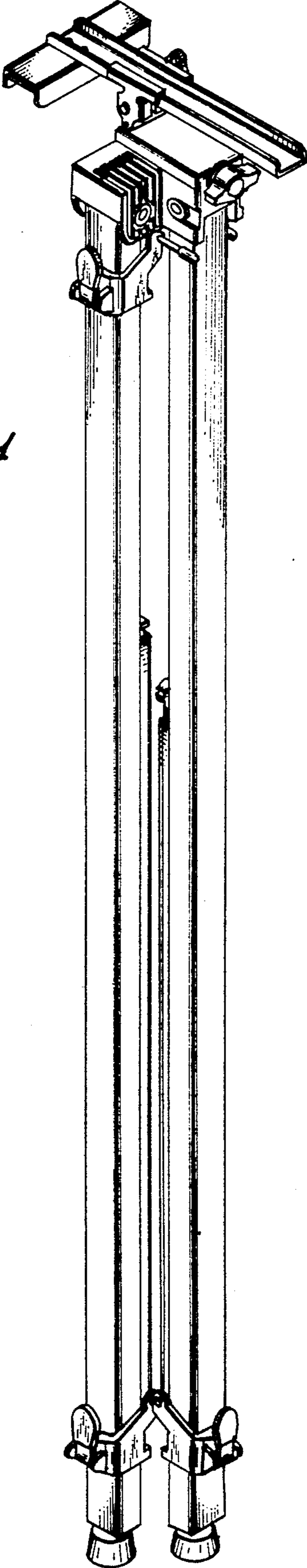


Fig. 1

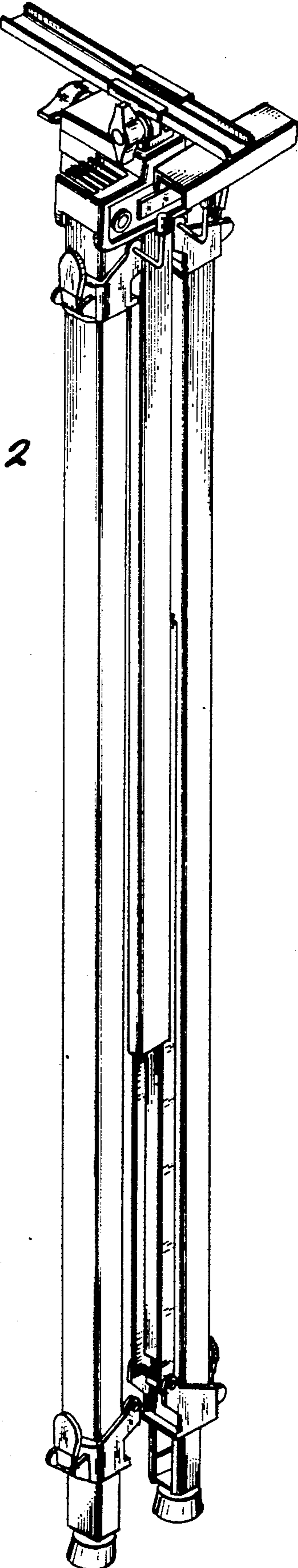


Fig. 2

