

[54] ROLLER COVER SUPPORT FOR A PAINTING ROLLER

3,877,123 4/1975 Pharris ..... 15/230.11 X  
4,077,082 3/1978 Roe et al. .... 15/230.11  
4,209,883 7/1980 Hawk ..... 29/110 S X

[75] Inventor: Bengt A. Bay, Slangerup, Denmark

Primary Examiner—Catherine E. Kemper  
Attorney, Agent, or Firm—Stevens, Davis, Miller & Mosher

[73] Assignee: Bay & Vissing A/S, Denmark

[\*\*] Term: 14 Years

[21] Appl. No.: 680,077

[22] Filed: Dec. 10, 1984

[57] CLAIM

The ornamental design for a roller cover support for a painting roller, as shown.

[30] Foreign Application Priority Data

Jun. 25, 1984 [DK] Denmark ..... 578/84

[52] U.S. Cl. .... D4/122

[58] Field of Search ..... 15/230.11; 29/110 S,  
29/116 R; D4/120, 121, 122, 199

DESCRIPTION

FIG. 1 is a perspective view of a roller cover support for a painting roller, showing my new design;

FIG. 2 is a perspective view taken from the opposite end thereof;

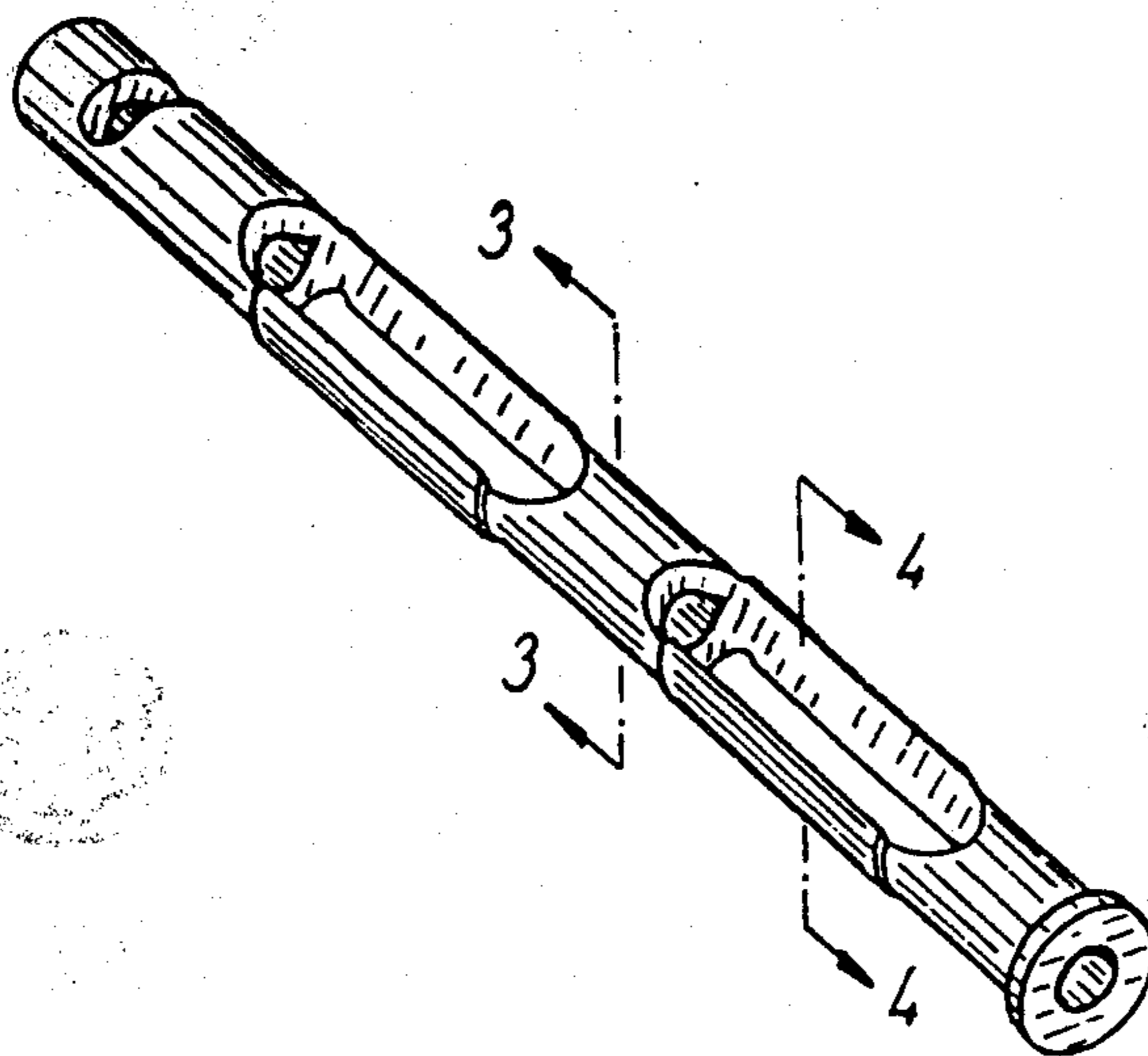
FIG. 3 is a cross sectional view taken along line 3—3 of FIG. 1; and

FIG. 4 is a cross sectional view taken along line 4—4 of FIG. 1.

[56] References Cited

U.S. PATENT DOCUMENTS

2,669,743 2/1954 Coughlan ..... 15/230.11



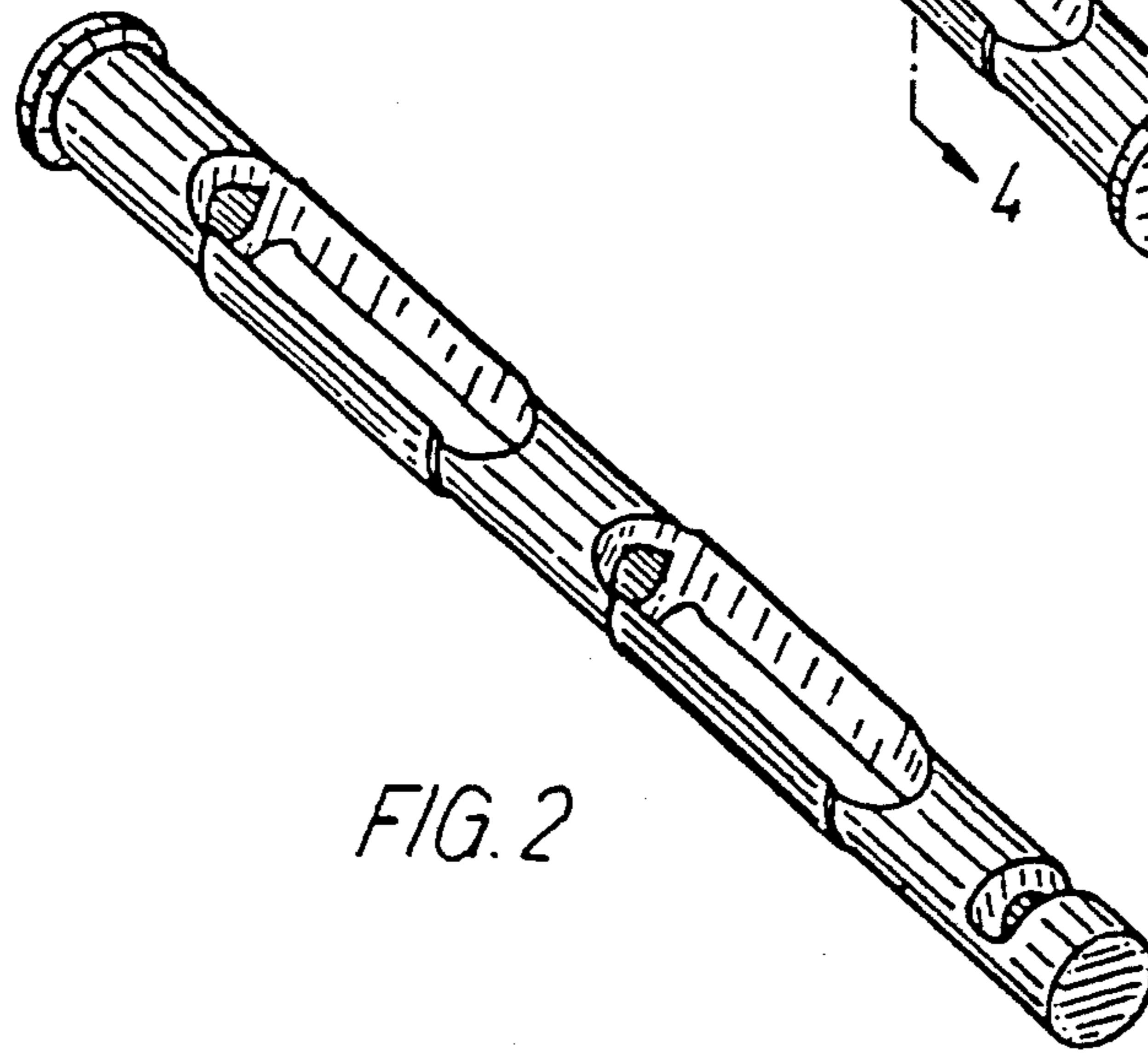
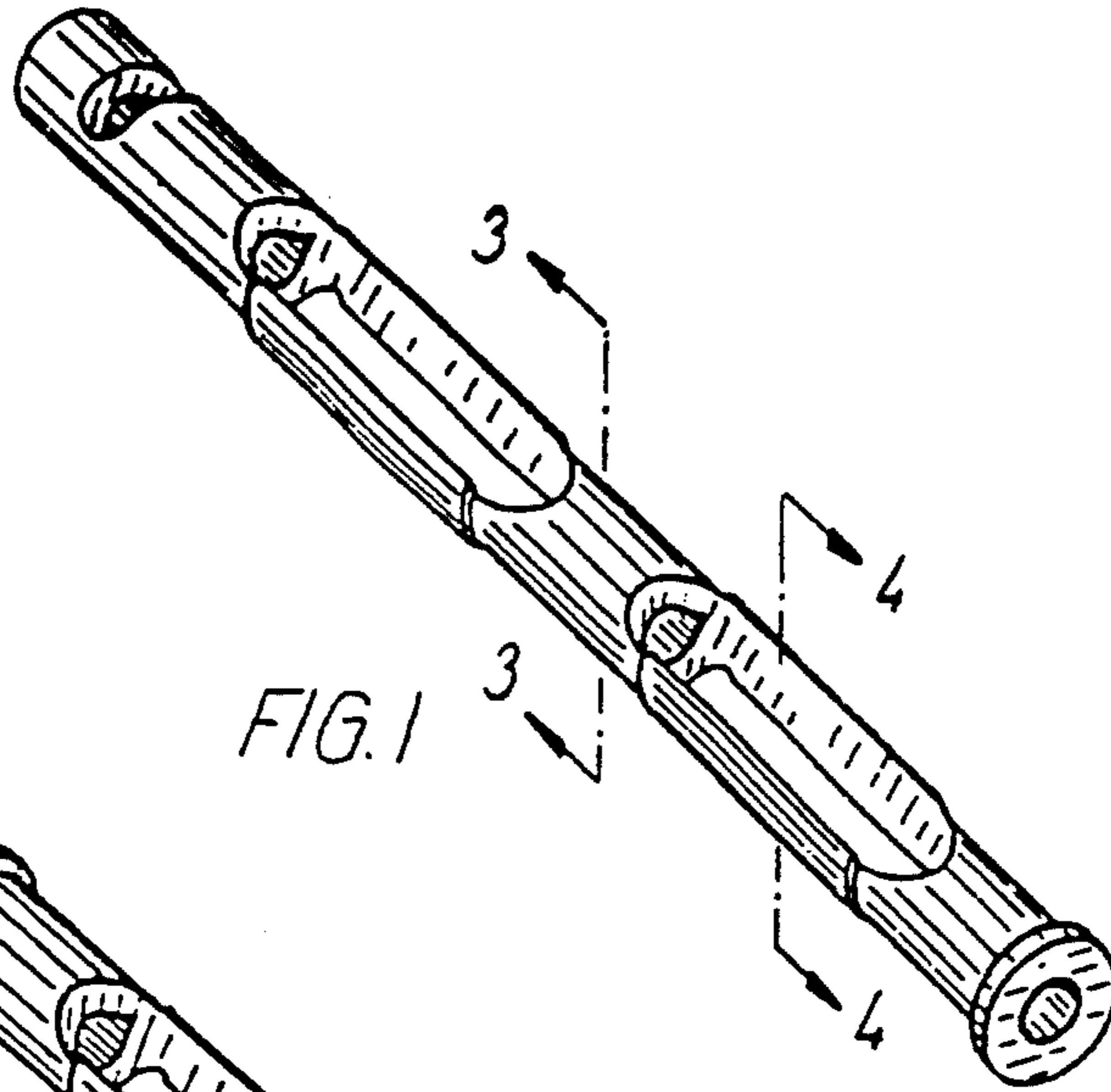


FIG. 3



FIG. 4