

- [54] FOLDABLE TRAVEL BAG
- [75] Inventor: Mark A. Beran, Niwot, Colo.
- [73] Assignee: BC Creations, Inc., Niwot, Colo.
- [**] Term: 14 Years
- [21] Appl. No.: 644,509
- [22] Filed: Aug. 27, 1984
- [52] U.S. Cl. D3/48; D3/36;
D3/71; D3/77
- [58] Field of Search D3/30.1, 36-38,
D3/42, 48, 71, 76, 77; 190/100-105, 110;
206/287.1

[56] **References Cited**
U.S. PATENT DOCUMENTS

D. 257,915	1/1981	Katz et al.	D3/71
D. 273,533	4/1984	Weinreb	D3/71
3,335,826	8/1967	Swirles	206/287.1

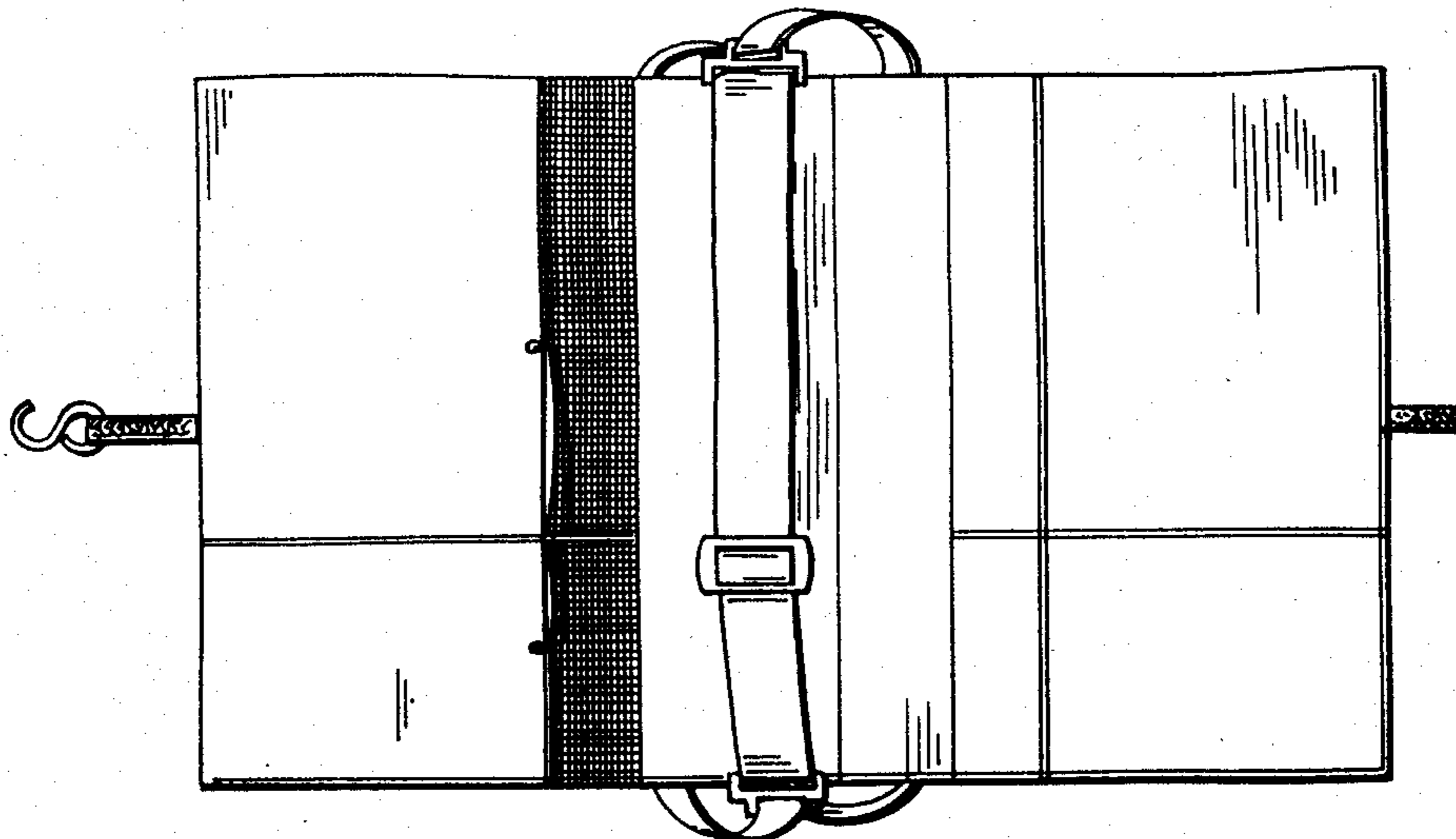
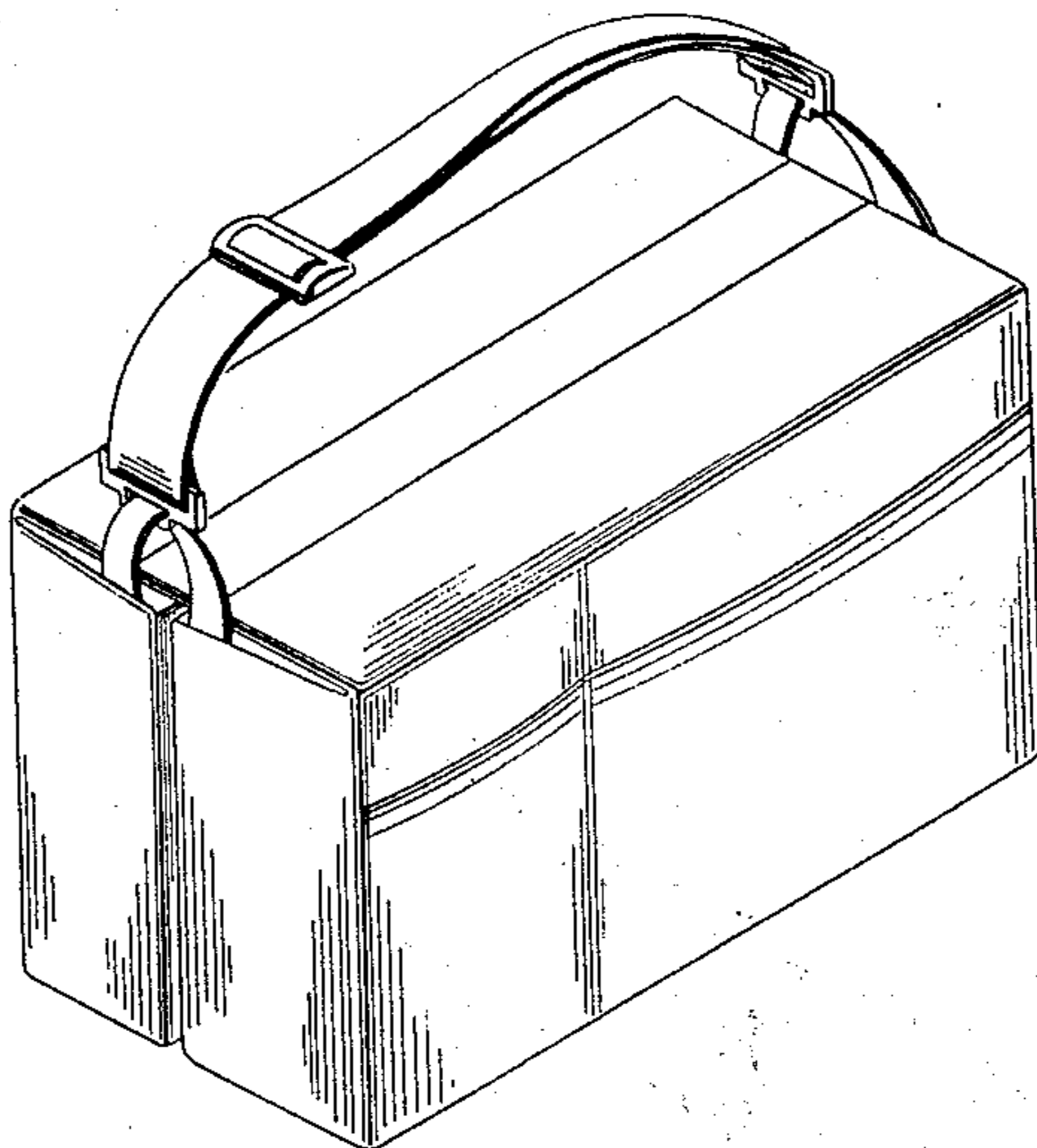
Primary Examiner—George P. Word
Attorney, Agent, or Firm—Robert E. Harris

[57] **CLAIM**

The ornamental design for a foldable travel bag, as shown and described.

DESCRIPTION

FIG. 1 is a perspective view of a foldable travel bag showing my new design;
FIG. 2 is a reduced scale bottom rear perspective view thereof;
FIG. 3 is a plan view of the foldable travel bag in the unfolded condition showing the interior thereof;
FIG. 4 is a plan view thereof showing the exterior in the unfolded condition;
FIG. 5 is a plan view similar to FIG. 3 with the left side partly elevated; and
FIG. 6 is a perspective view of the foldable travel bag in a partially open position.



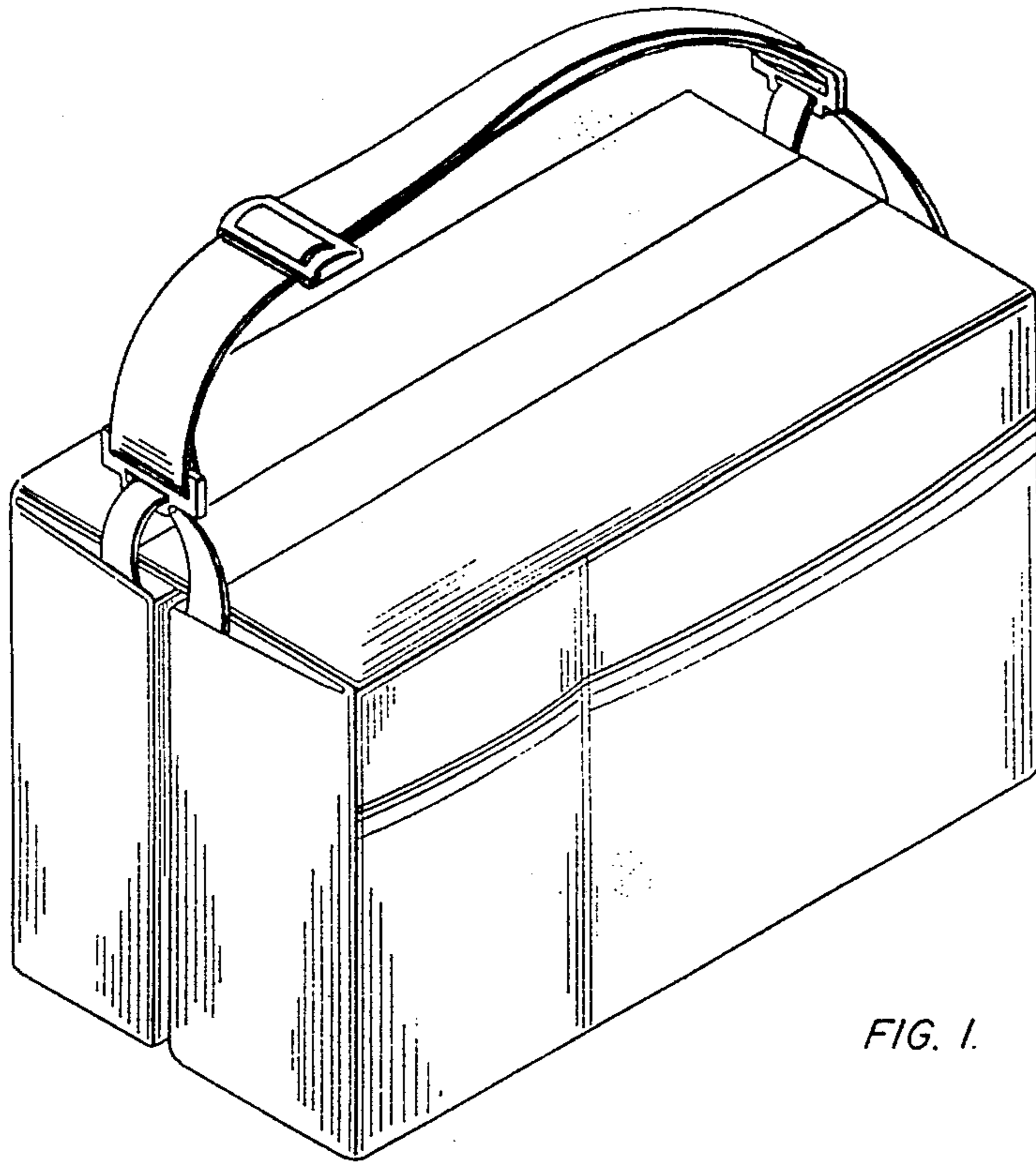


FIG. 1.

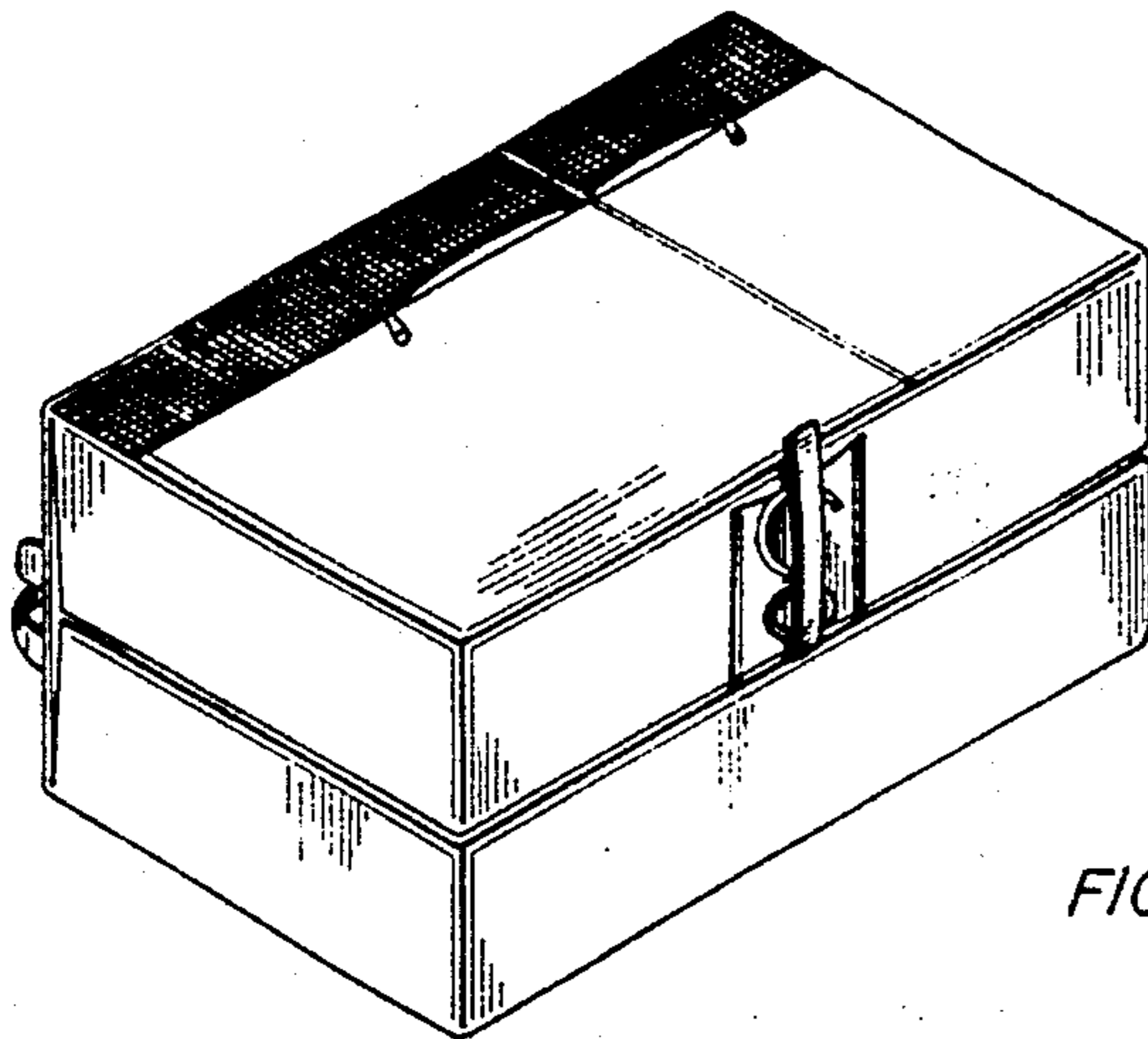


FIG. 2.

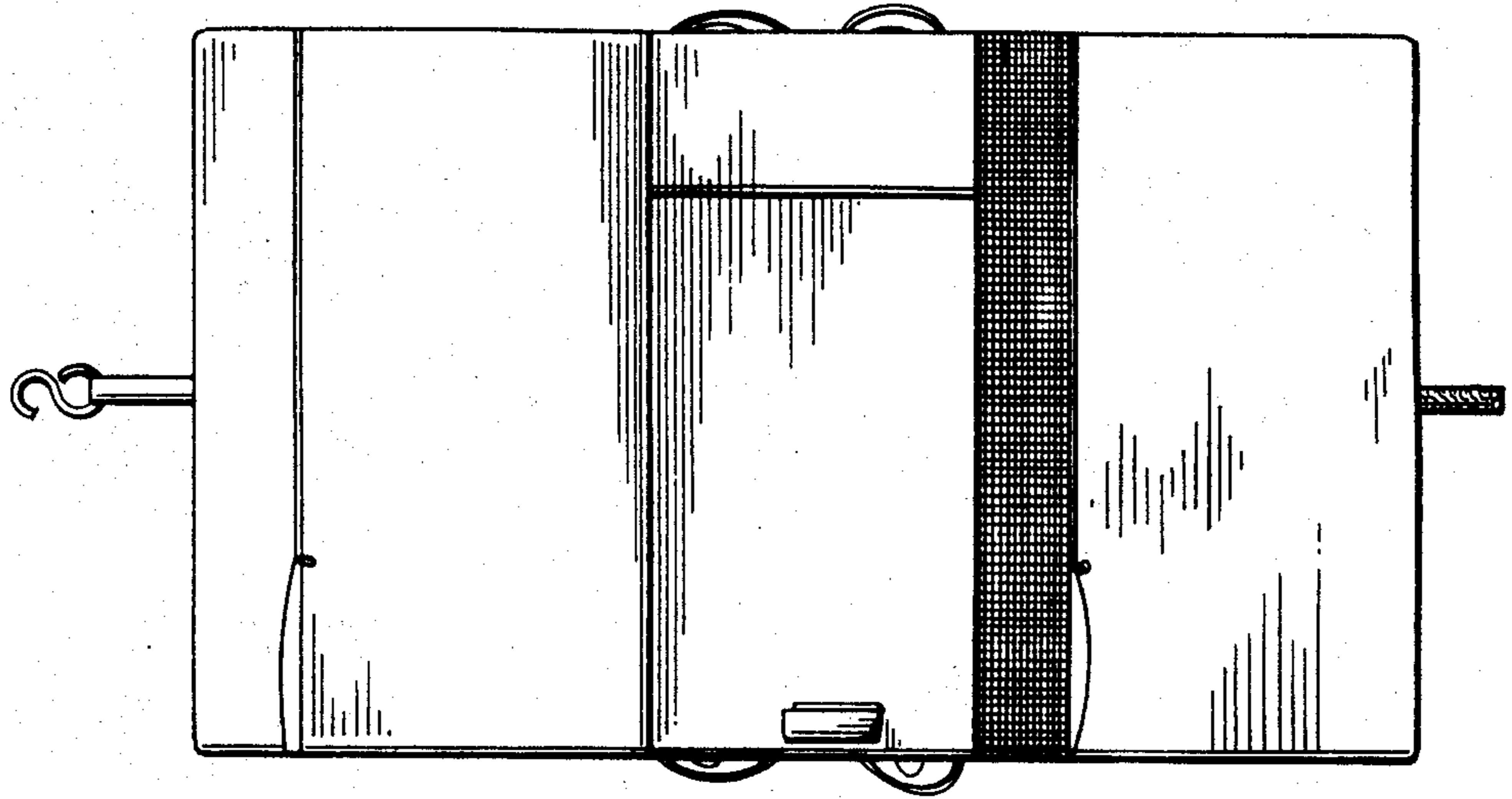


FIG. 3.

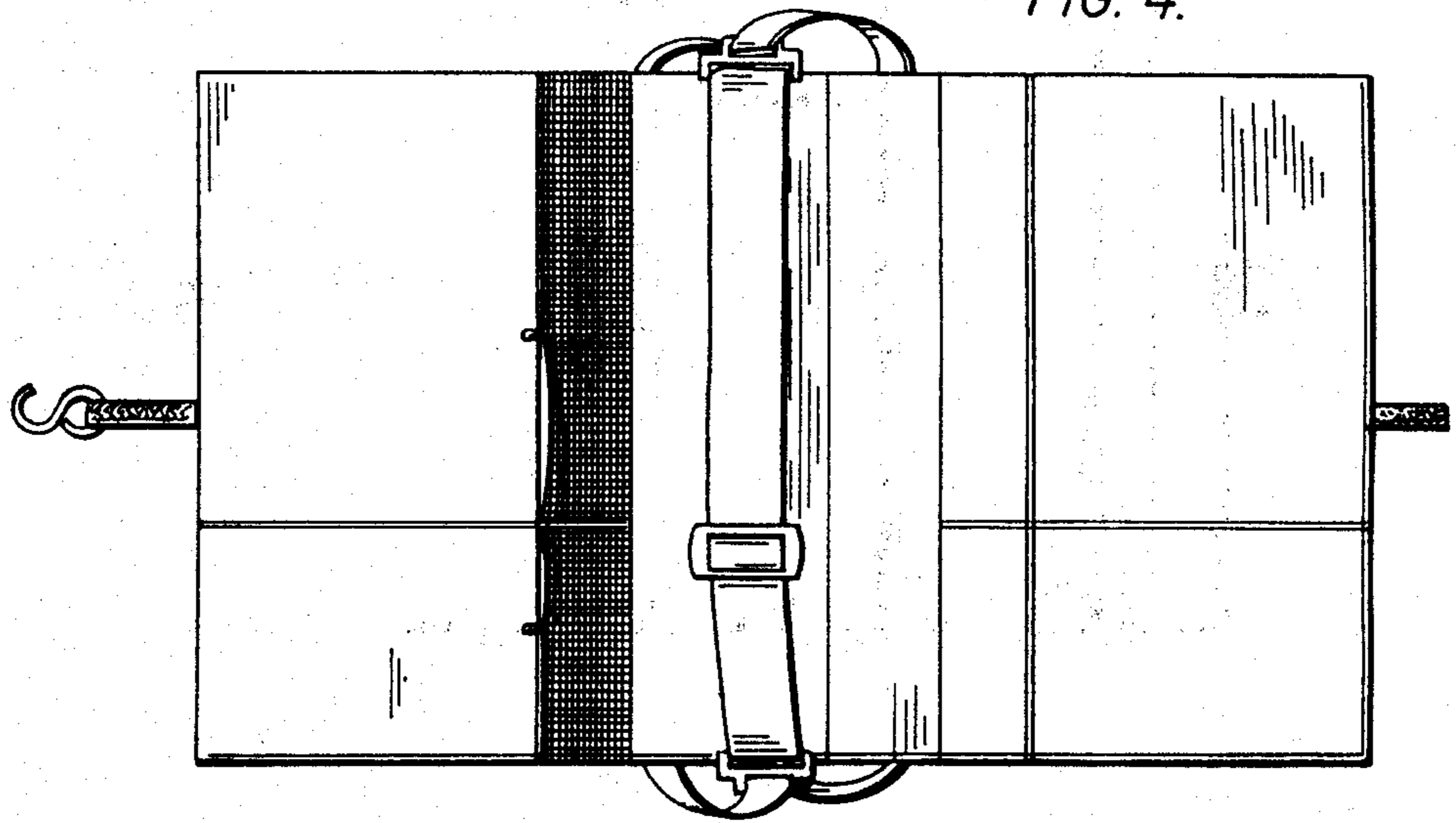


FIG. 4.

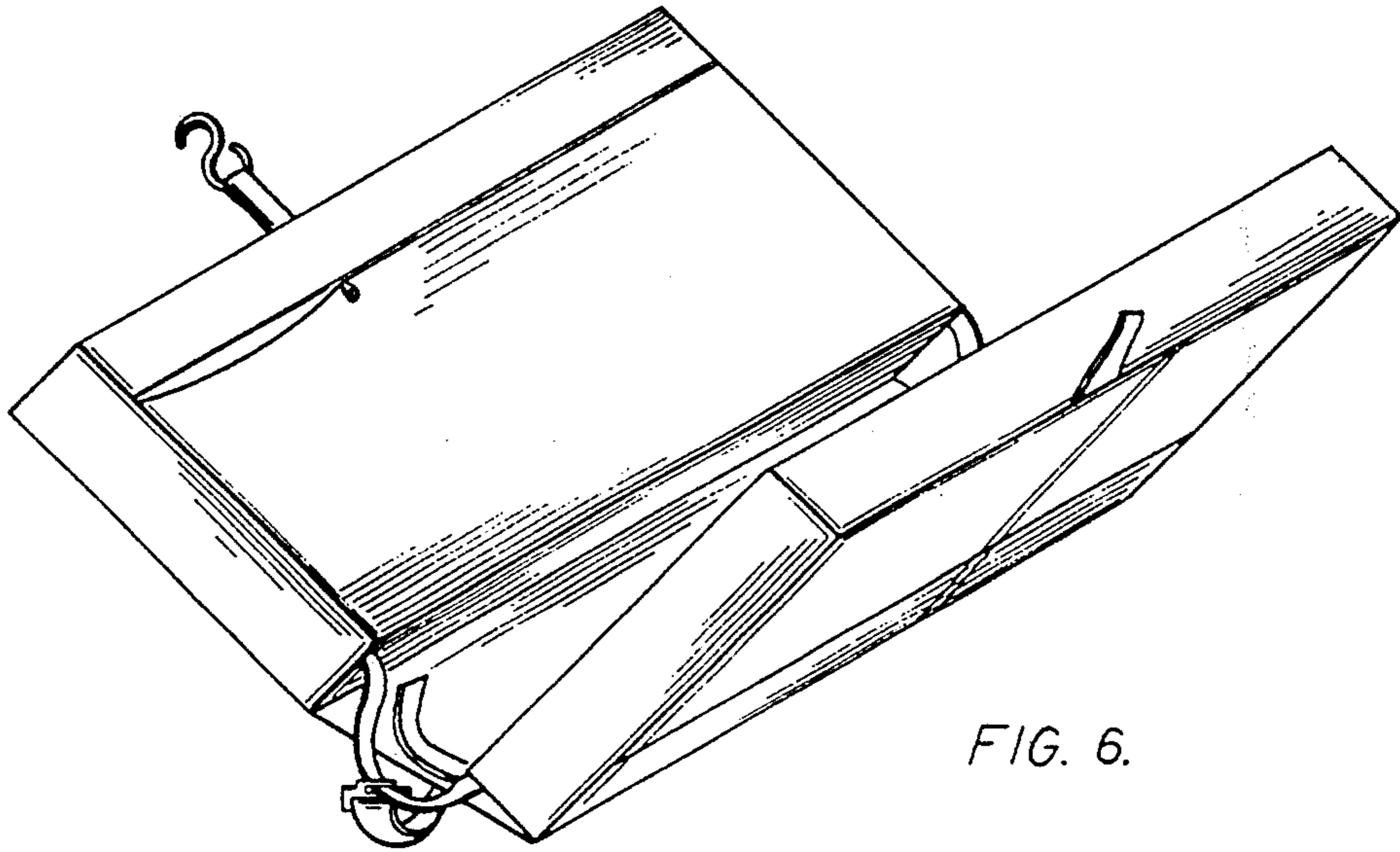


FIG. 6.

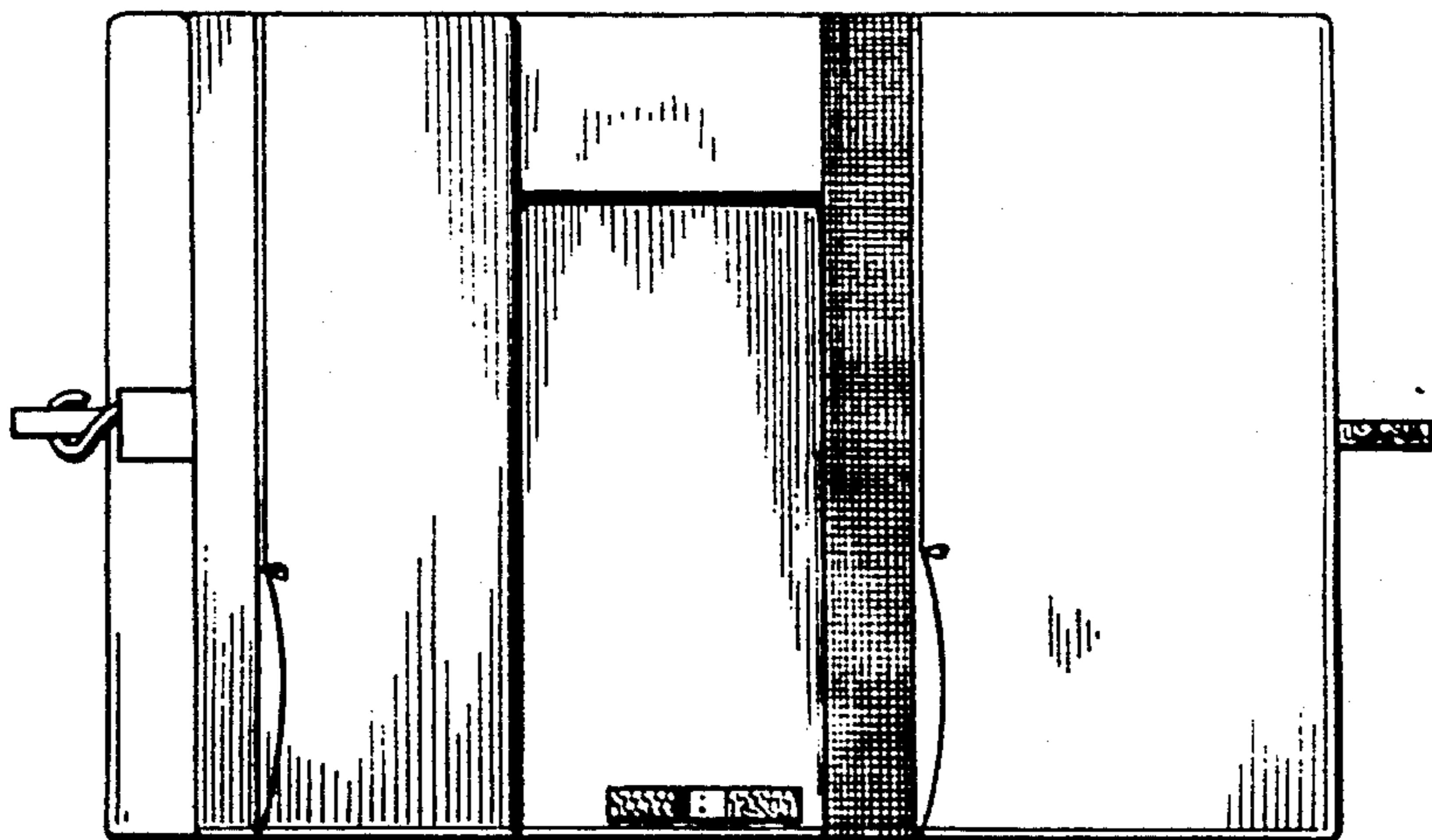


FIG. 5.