

[54] **KNEE PLATFORM CRUTCH**  
 [76] Inventor: **Marco Rizzo**, 1150 S. King St., #908,  
 Honolulu, Hi. 96814  
 [\*\*] Term: **14 Years**  
 [21] Appl. No.: **656,683**  
 [22] Filed: **Oct. 1, 1984**  
 [52] U.S. Cl. .... **D3/7**  
 [58] Field of Search ..... **D3/5, 7, 8, 10, 17;**  
**135/65-67, DIG. 11, 69**

3,254,659 6/1966 Williams ..... 135/69  
 3,999,565 12/1976 Delacour et al. .... 135/65

*Primary Examiner*—Bernard Ansher  
*Assistant Examiner*—Terry Pfeffer

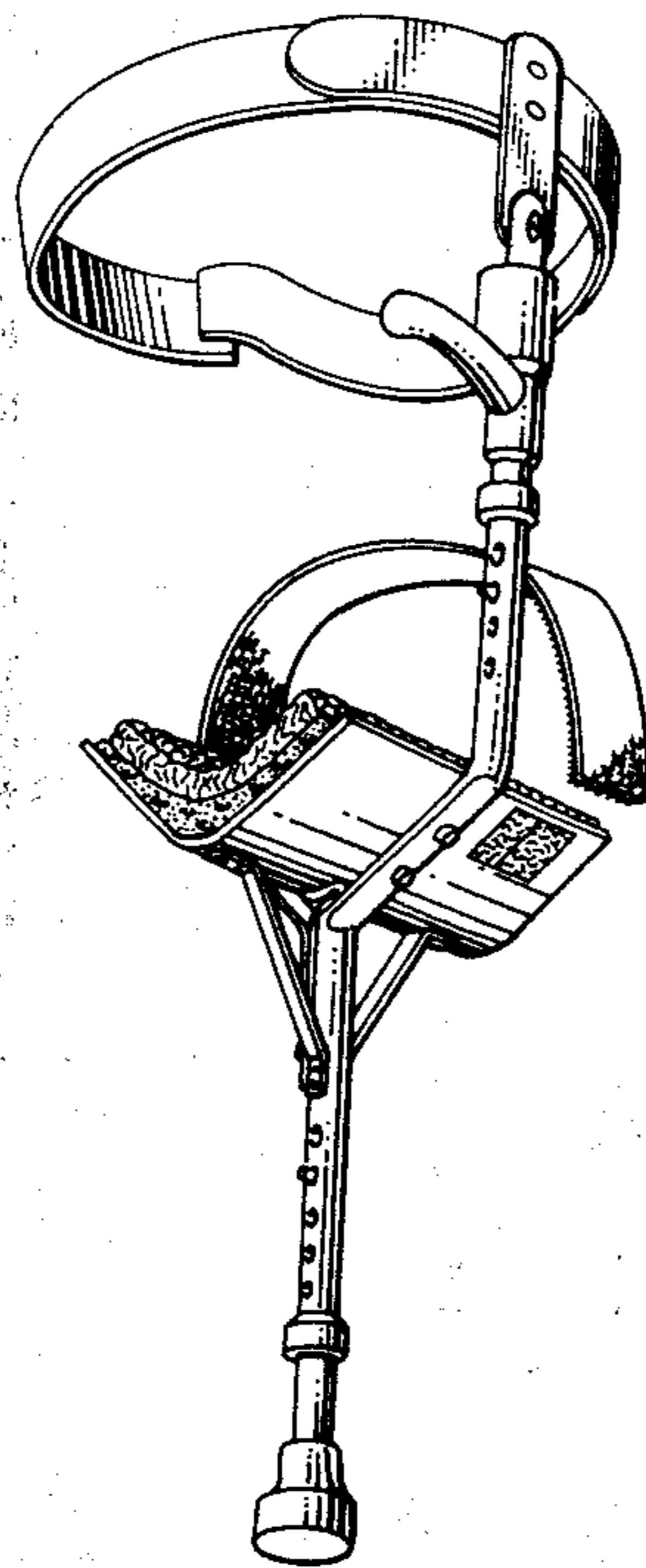
[57] **CLAIM**

The ornamental design for a knee platform crutch, substantially as shown.

**DESCRIPTION**

FIG. 1 is a perspective view of a knee platform crutch showing my new design.  
 FIG. 2 is a side elevational view thereof.  
 FIG. 3 is a front elevational view thereof.  
 FIG. 4 is a top plan view thereof.  
 FIG. 5 is a bottom plan view thereof.  
 FIG. 6 is a rear elevational view thereof.

[56] **References Cited**  
**U.S. PATENT DOCUMENTS**  
 D. 255,288 6/1980 Thomas ..... D3/9  
 2,817,348 12/1957 Holliday, Jr. .... 135/69 X  
 3,205,905 9/1965 Gottman ..... D3/8 X



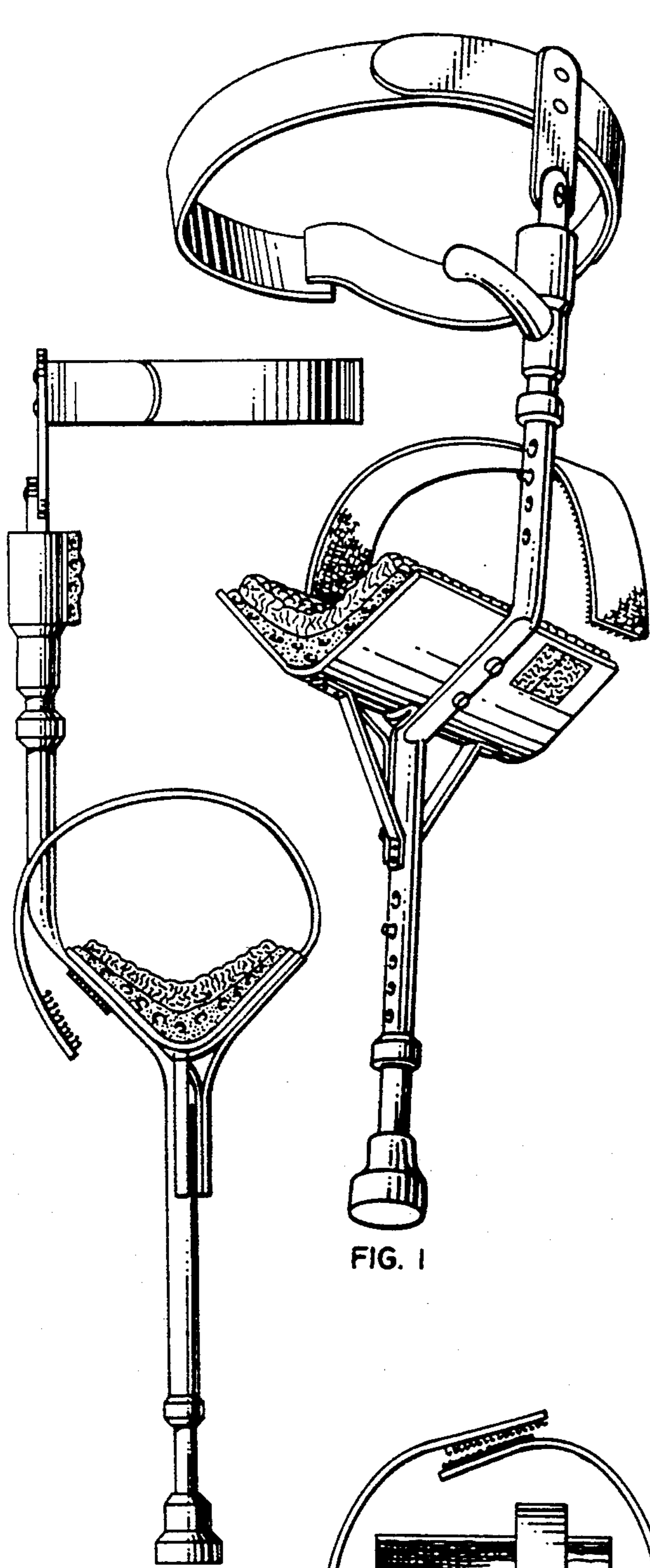


FIG. 1

FIG. 6

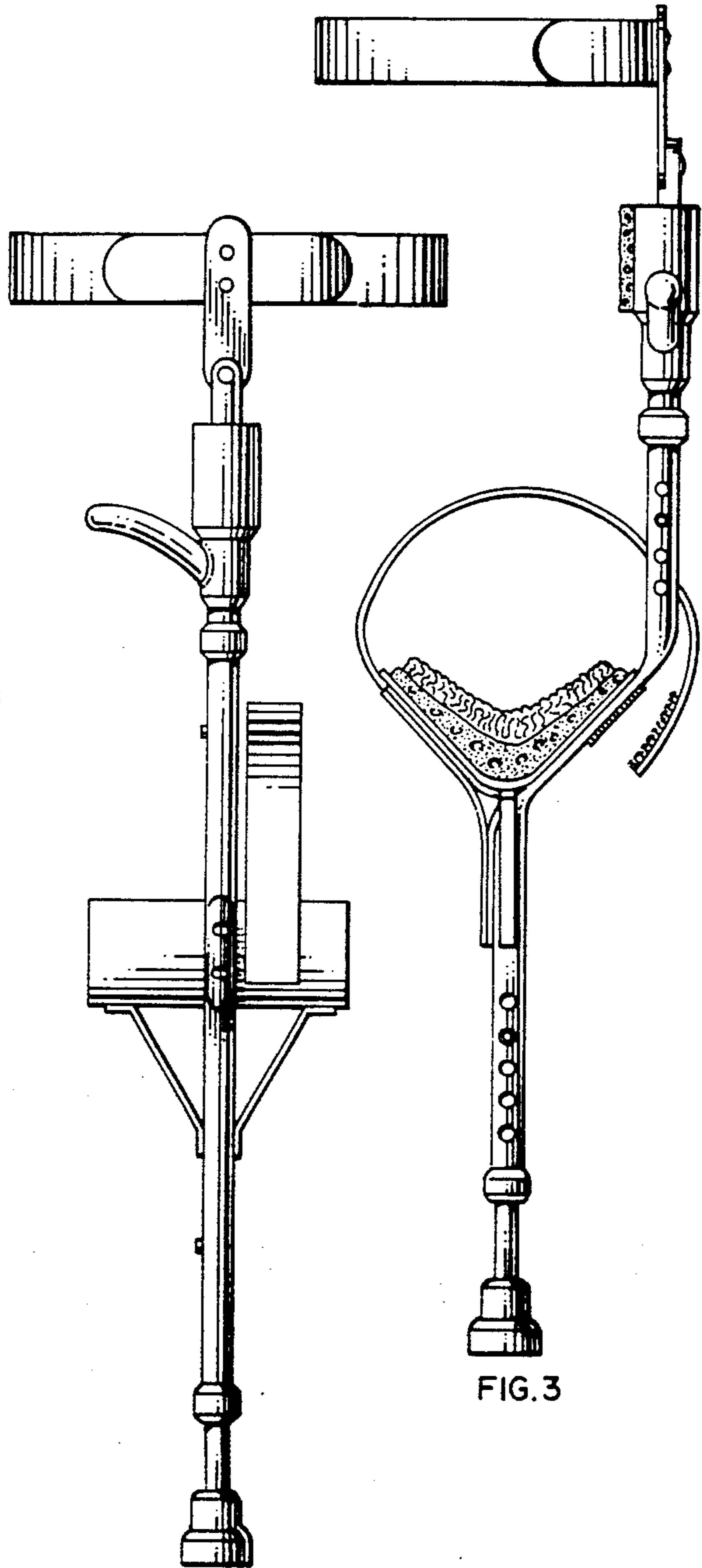


FIG. 2

FIG. 3

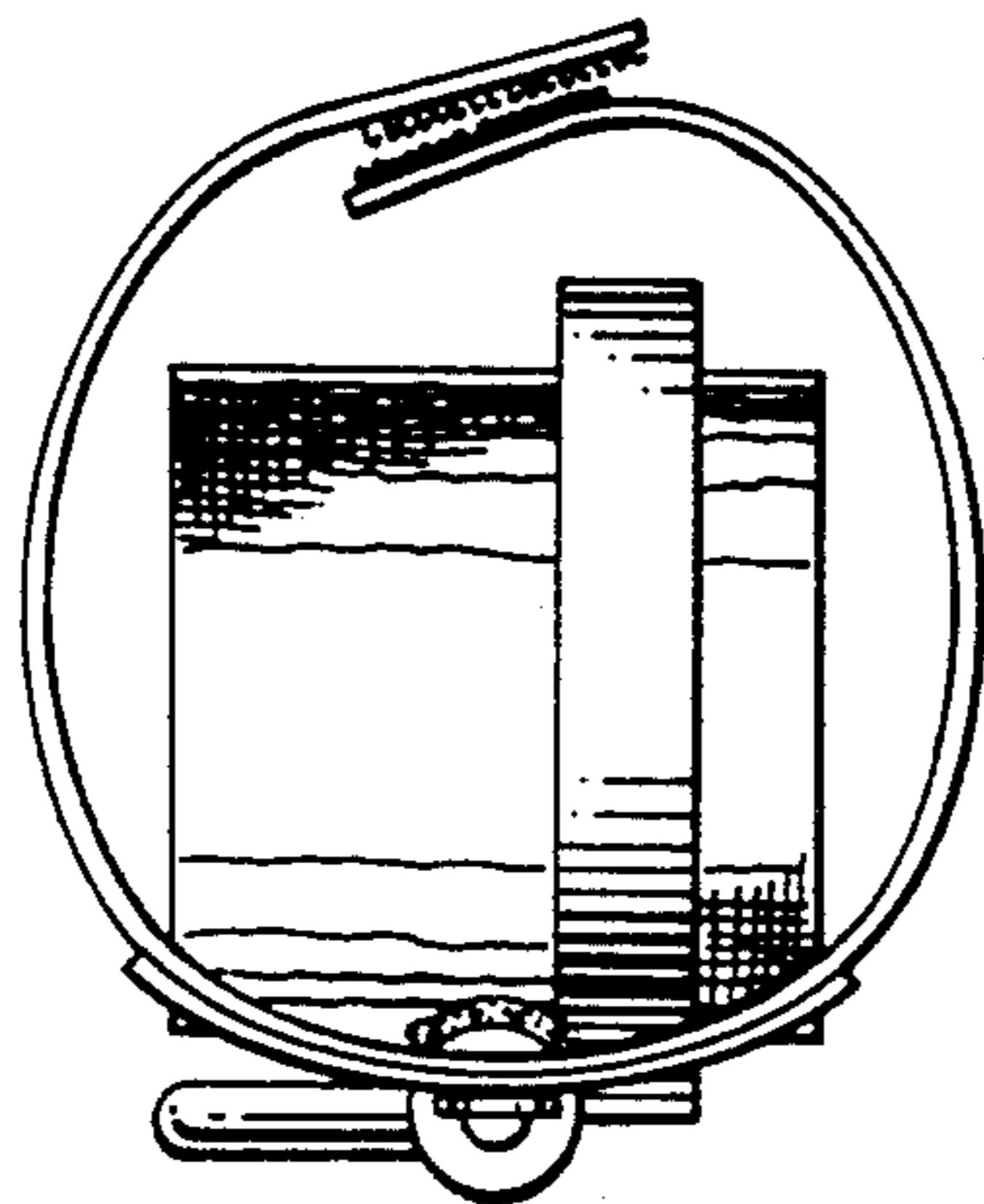


FIG. 4

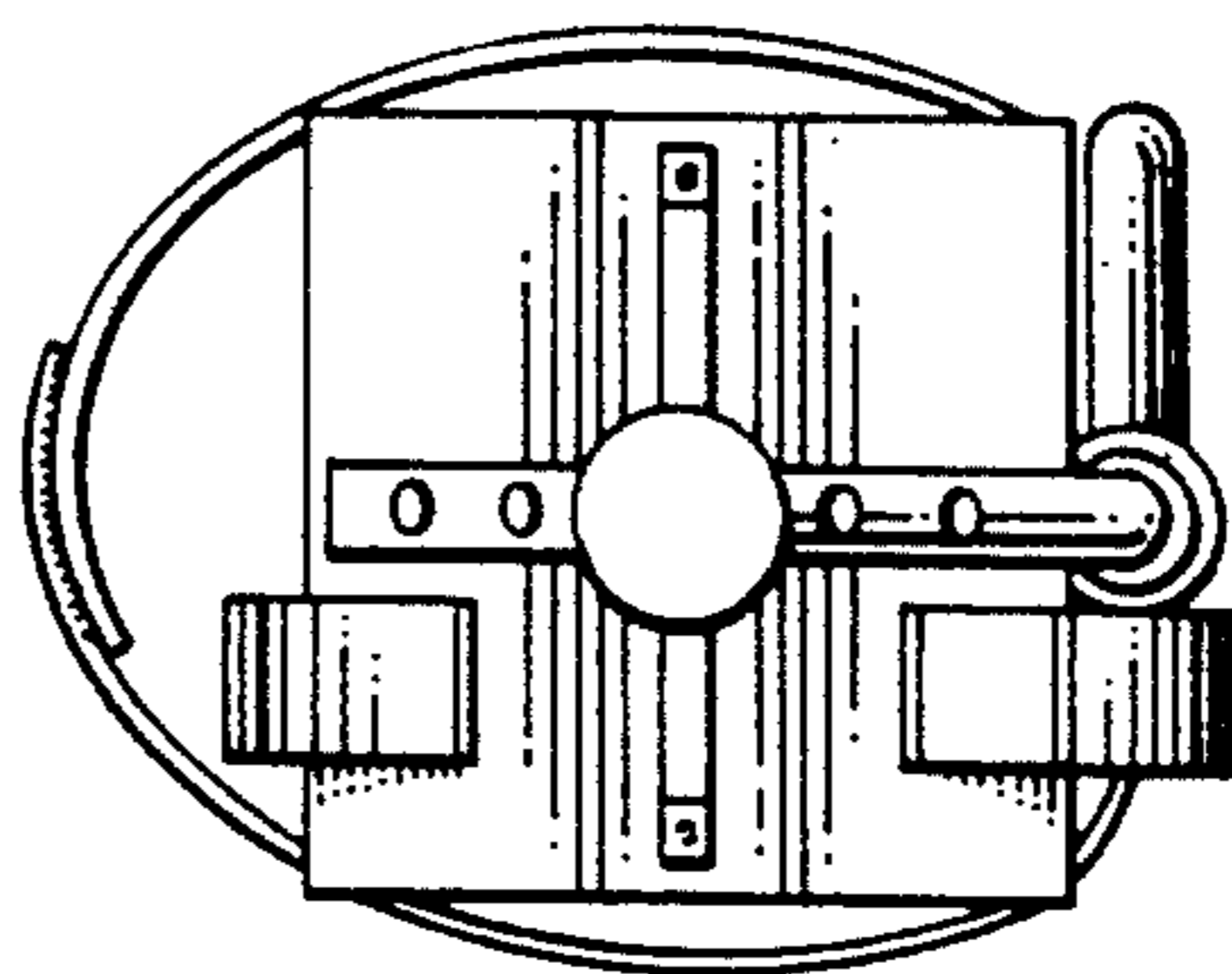


FIG. 5