

[54] CASH BOX

[75] Inventor: Clive W. Warwicker, Cookley, Nr. Kidderminster, England

[73] Assignee: Helix Limited, West Midlands, England

[**] Term: 14 Years

[21] Appl. No.: 648,462

[22] Filed: Sep. 7, 1984

[30] Foreign Application Priority Data

Mar. 10, 1984 [GB] United Kingdom 1018422

[52] U.S. Cl. D99/28; D3/72; D99/34

[58] Field of Search 232/4 R; D8/306; D3/72, D3/78; D9/420, 424, 426; D99/28, 34, 35, 36, 43, 99, 37

[56] References Cited

U.S. PATENT DOCUMENTS

D. 54,763 3/1920 Nutry D99/37

D. 209,372	11/1967	Schurman	D3/72
D. 228,580	10/1973	Schurman	D3/72
D. 263,015	2/1982	Loncasty	D3/72 X
D. 273,908	5/1984	Hoogeveen	D99/28
746,205	12/1903	Valentine	232/4 R
1,146,230	7/1915	Anderson	232/4 R

Primary Examiner—Winifred E. Herrmann
Attorney, Agent, or Firm—Neil F. Markva

[57] CLAIM

The ornamental design for a cash box, as shown and described.

DESCRIPTION

FIG. 1 is a top plan view of a cash box showing my new design;
FIG. 2 is a front elevational view thereof;
FIG. 3 is a left side elevational view thereof, the side opposite is a mirror image thereof;
FIG. 4 is a top, front and left side perspective view thereof;
FIG. 5 is a rear elevational view thereof; and
FIG. 6 is a bottom plan view thereof.

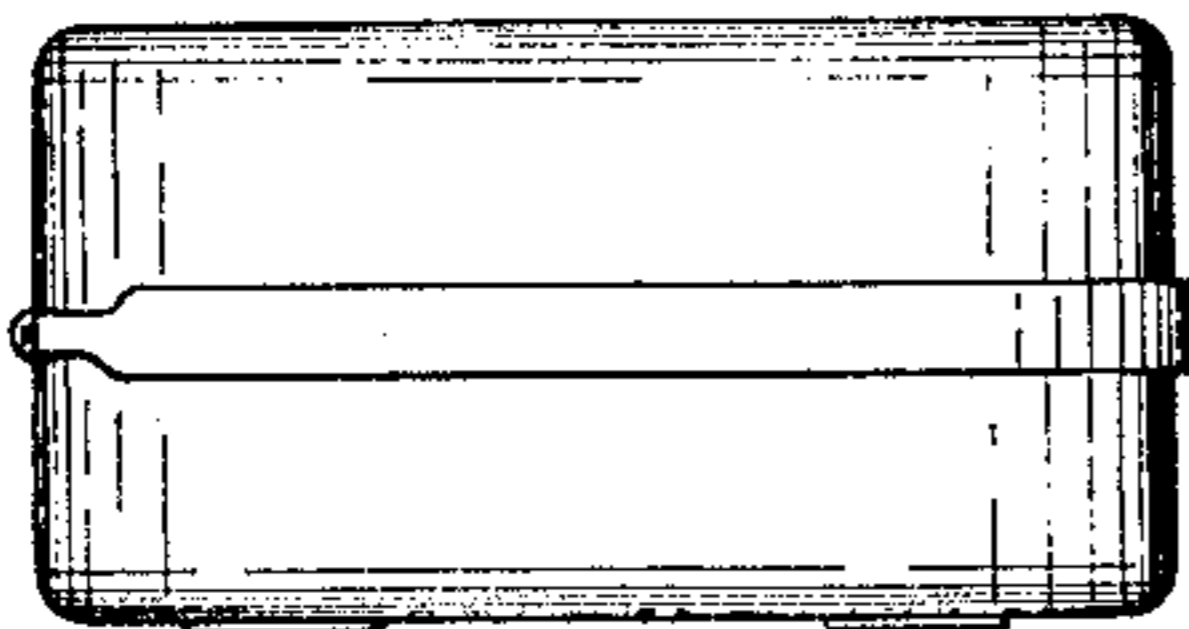
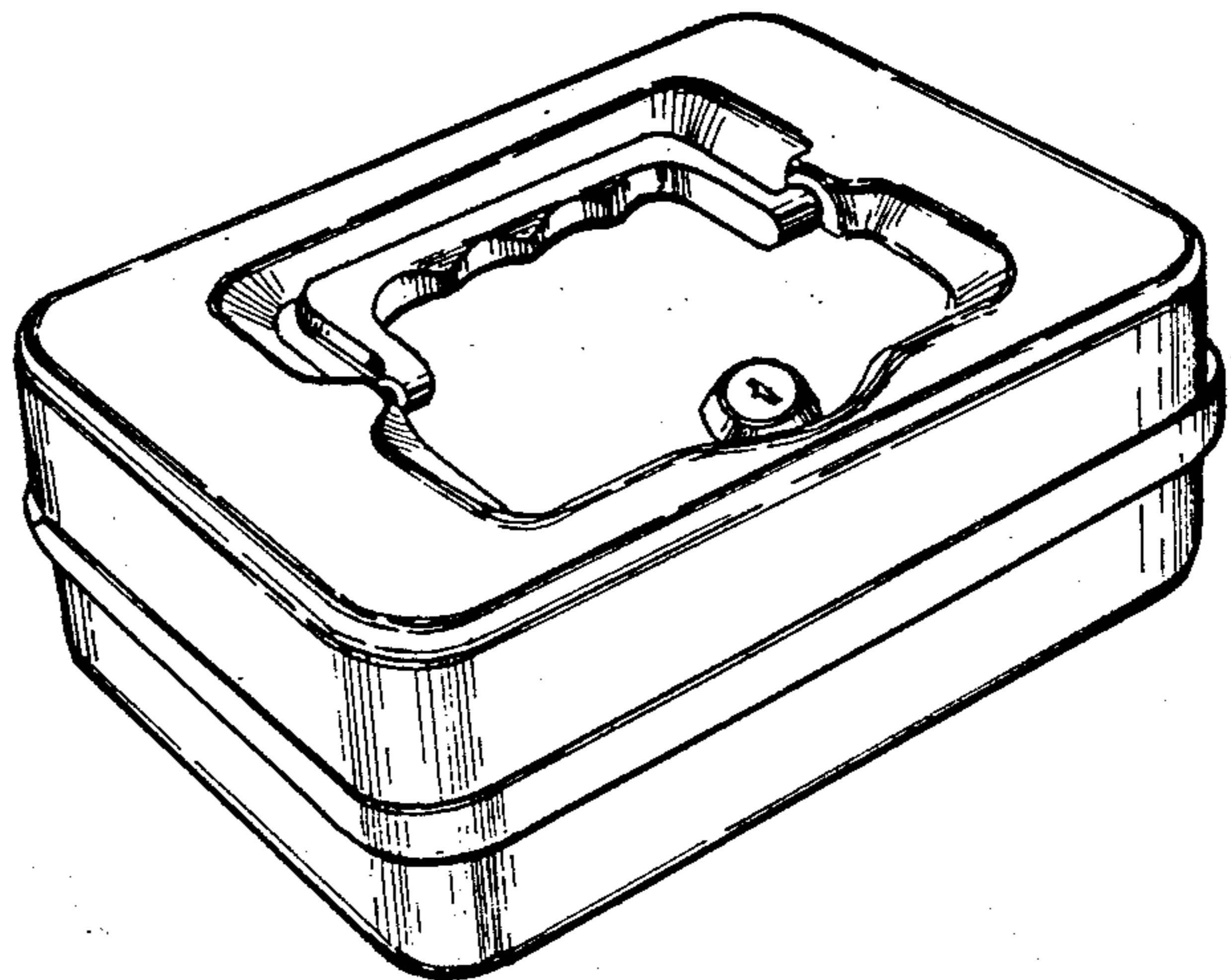
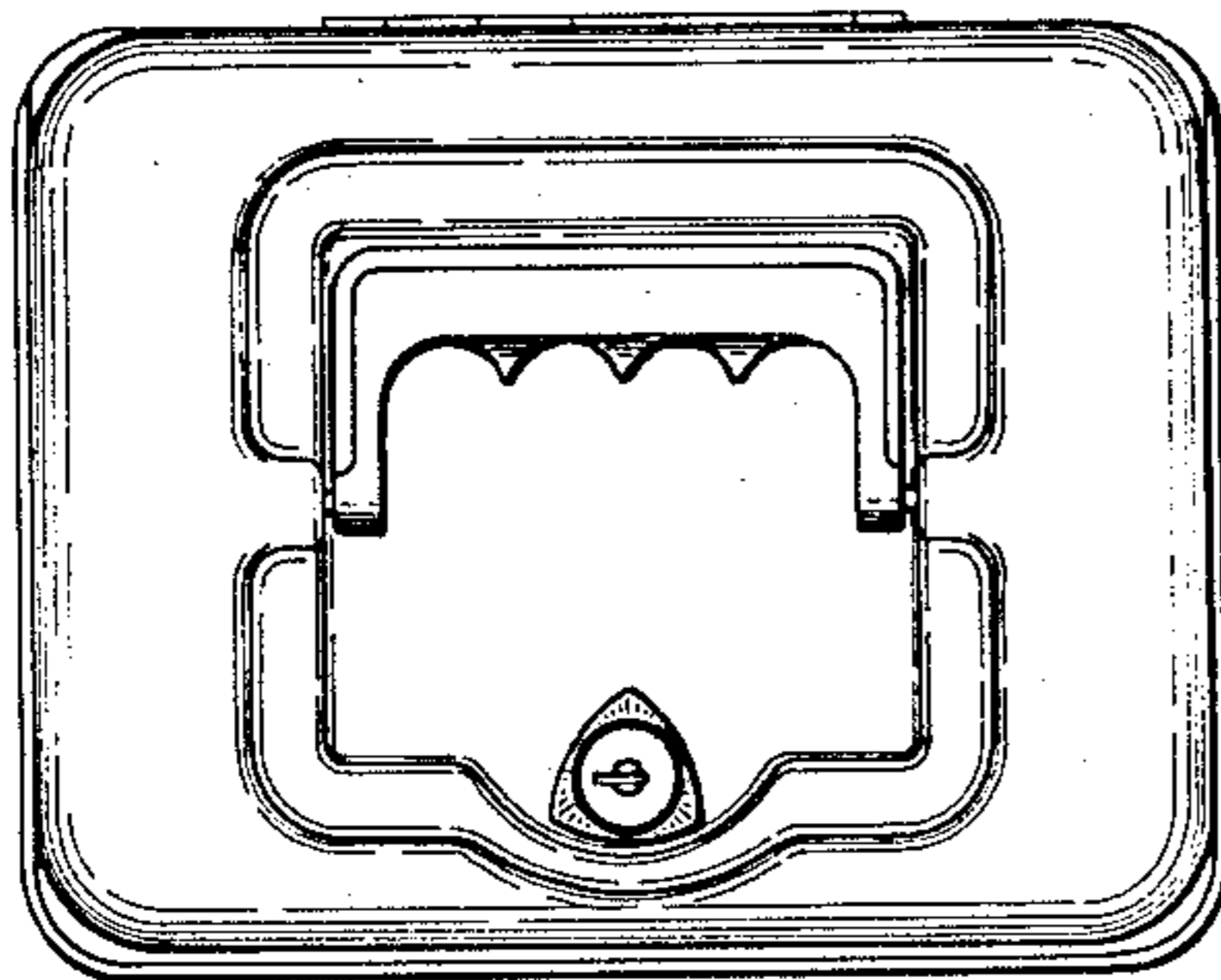


FIG. 1.

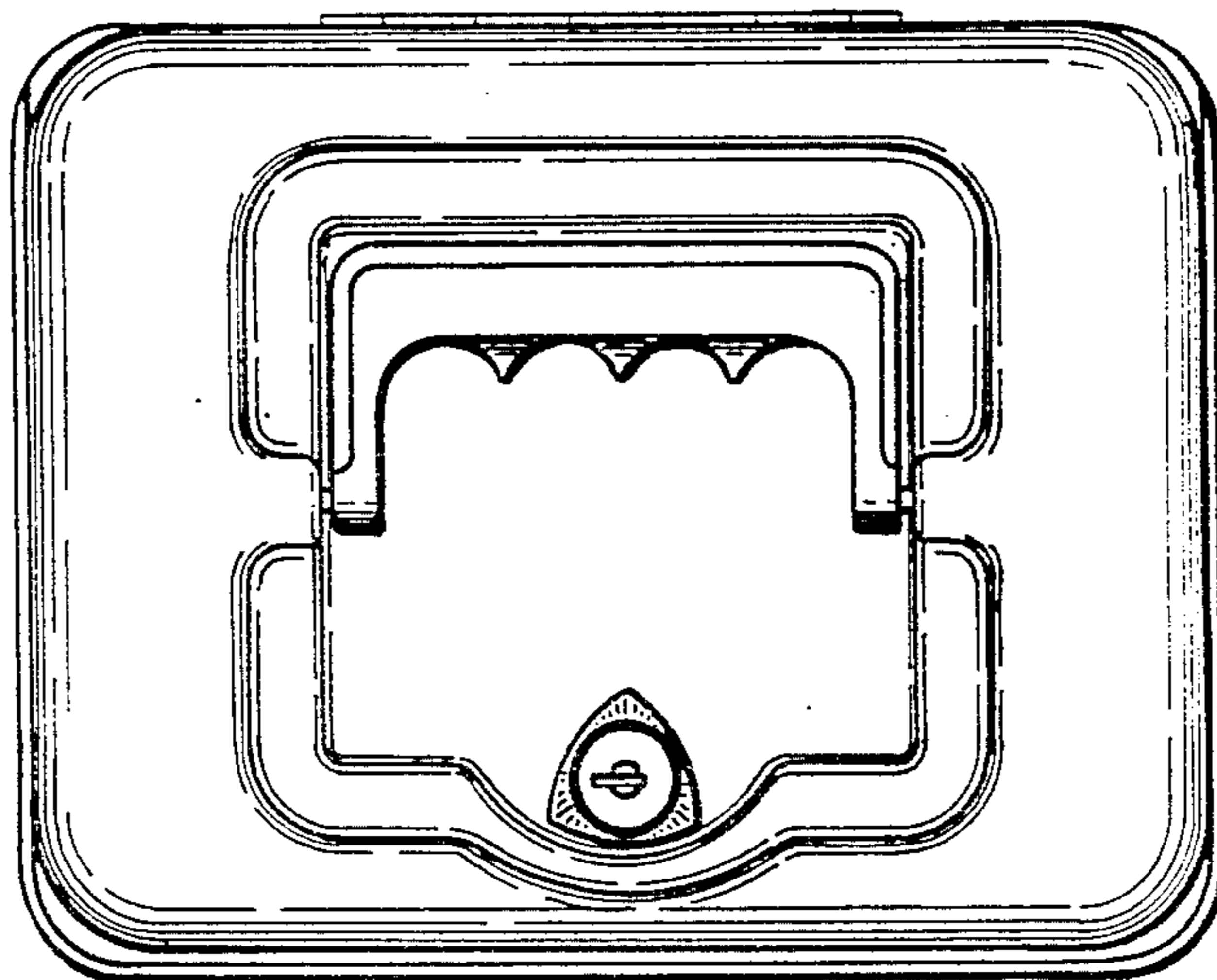


FIG. 2.

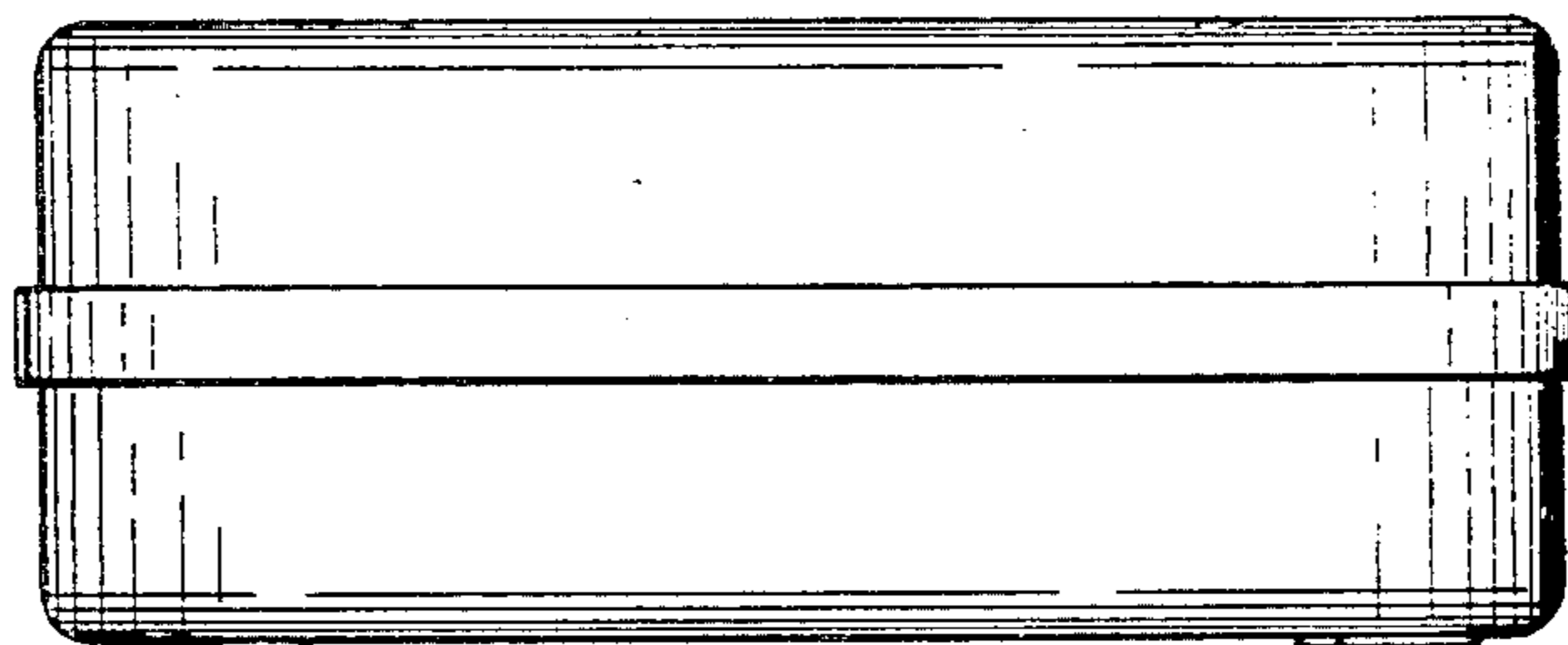


FIG. 3.

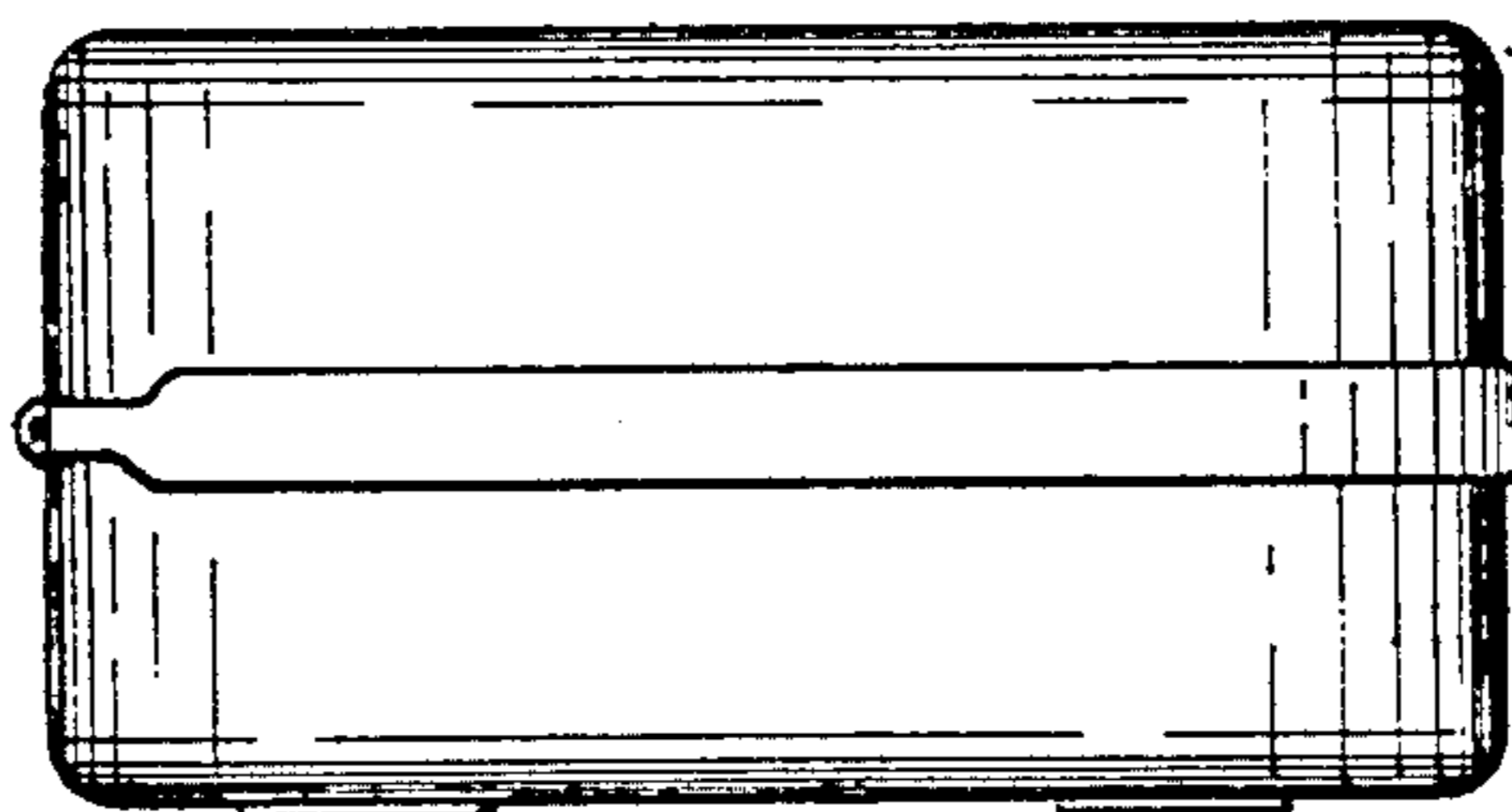


FIG. 4.

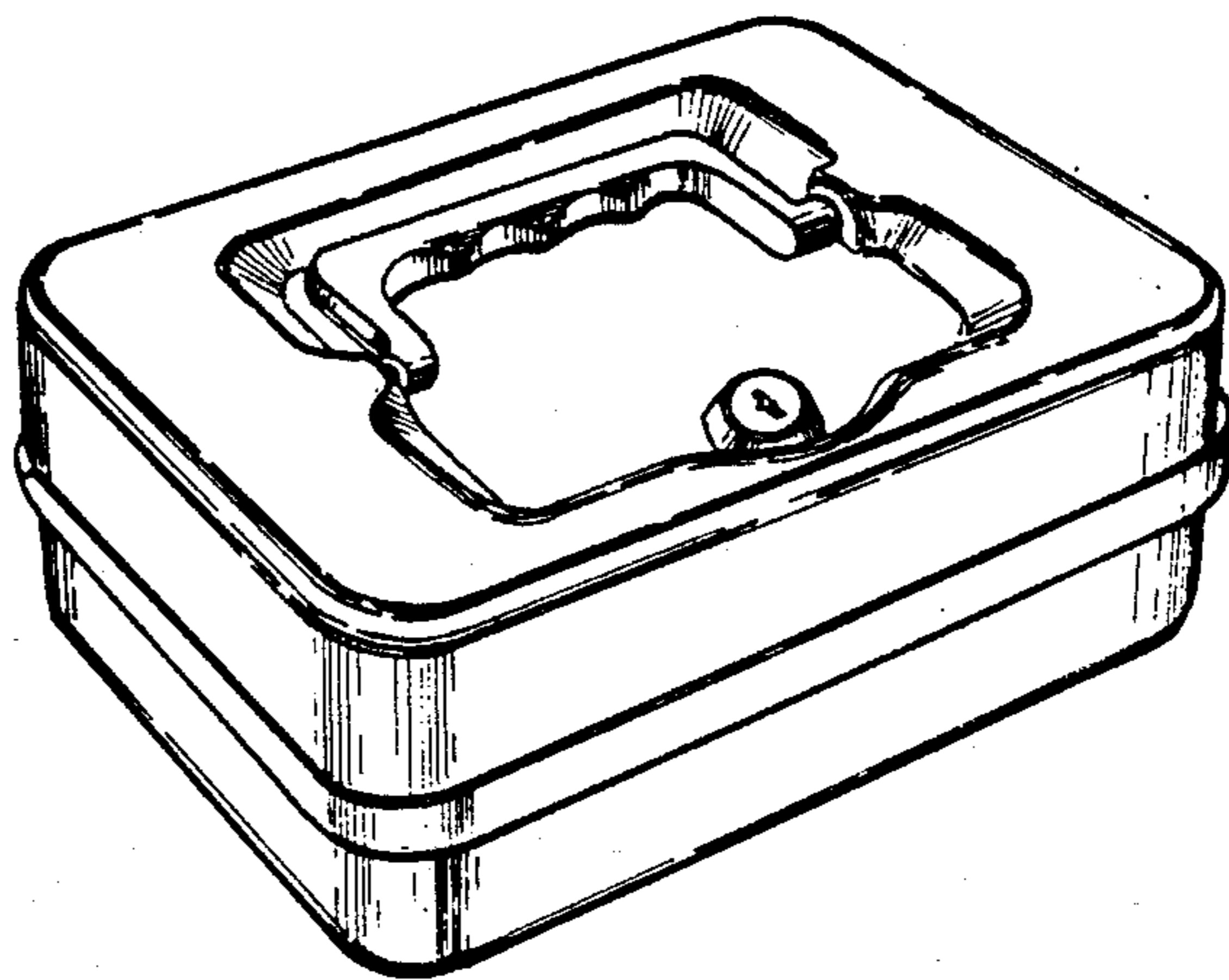


FIG. 5.

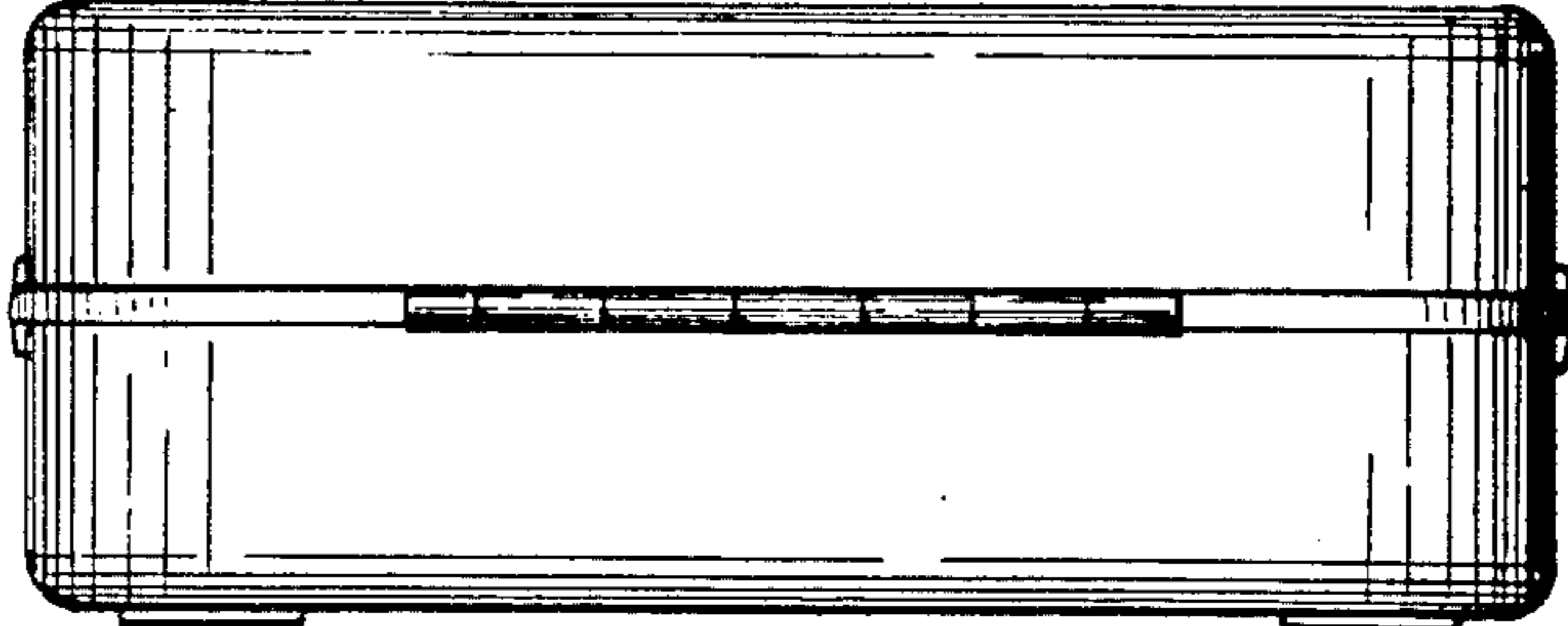


FIG. 6.

