

[54] STAND FOR A PRESSING IRON

[75] Inventor: Michael N. Komar, Manchester, England

[73] Assignee: TI Russell Hobbs Limited, Stoke-on-Trent, England

[**] Term: 14 Years

[21] Appl. No.: 707,540

[22] Filed: Mar. 4, 1985

[30] Foreign Application Priority Data

Oct. 16, 1984 [GB] United Kingdom 1022714

[52] U.S. Cl. D32/73

[58] Field of Search D32/73; 248/117.1-117.7; 38/77.6, 79, 96, 142

[56] References Cited

U.S. PATENT DOCUMENTS

- D. 89,922 5/1933 Ritz-Woller D32/73
- D. 96,958 9/1935 Duvall D32/73
- D. 158,426 5/1950 Wilson D32/73

- 3,202,389 8/1965 Zoffer 248/117.4
- 3,215,379 11/1965 Rico 248/117.2
- 3,305,200 2/1967 Avery 248/117.6
- 3,477,672 11/1969 Agrusa 248/117.2 X
- 4,368,863 1/1983 Gentile 248/117.7

FOREIGN PATENT DOCUMENTS

- 129863 1/1929 Switzerland 248/117.2

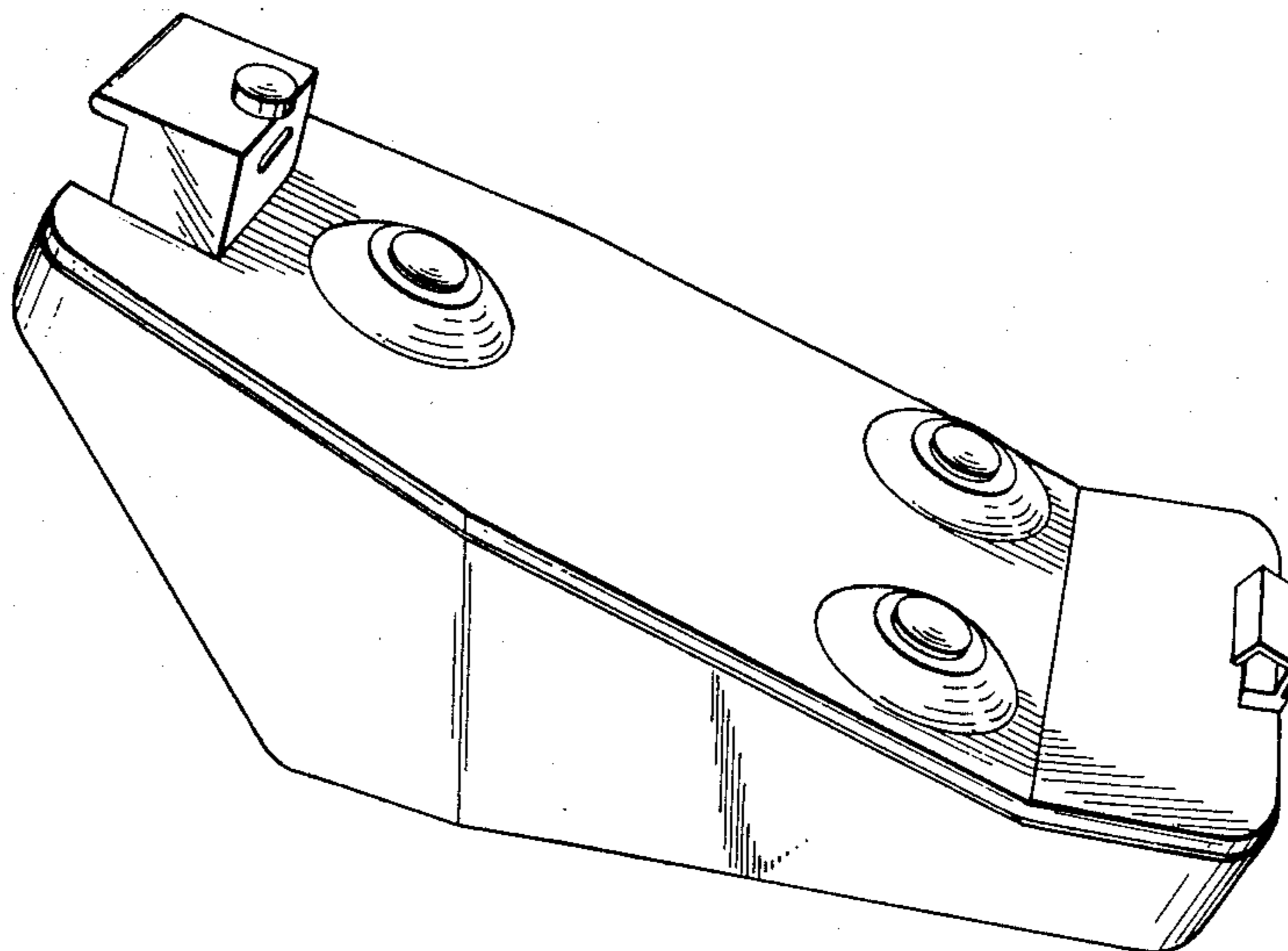
Primary Examiner—Catherine E. Kemper
Attorney, Agent, or Firm—Mason, Fenwick & Lawrence

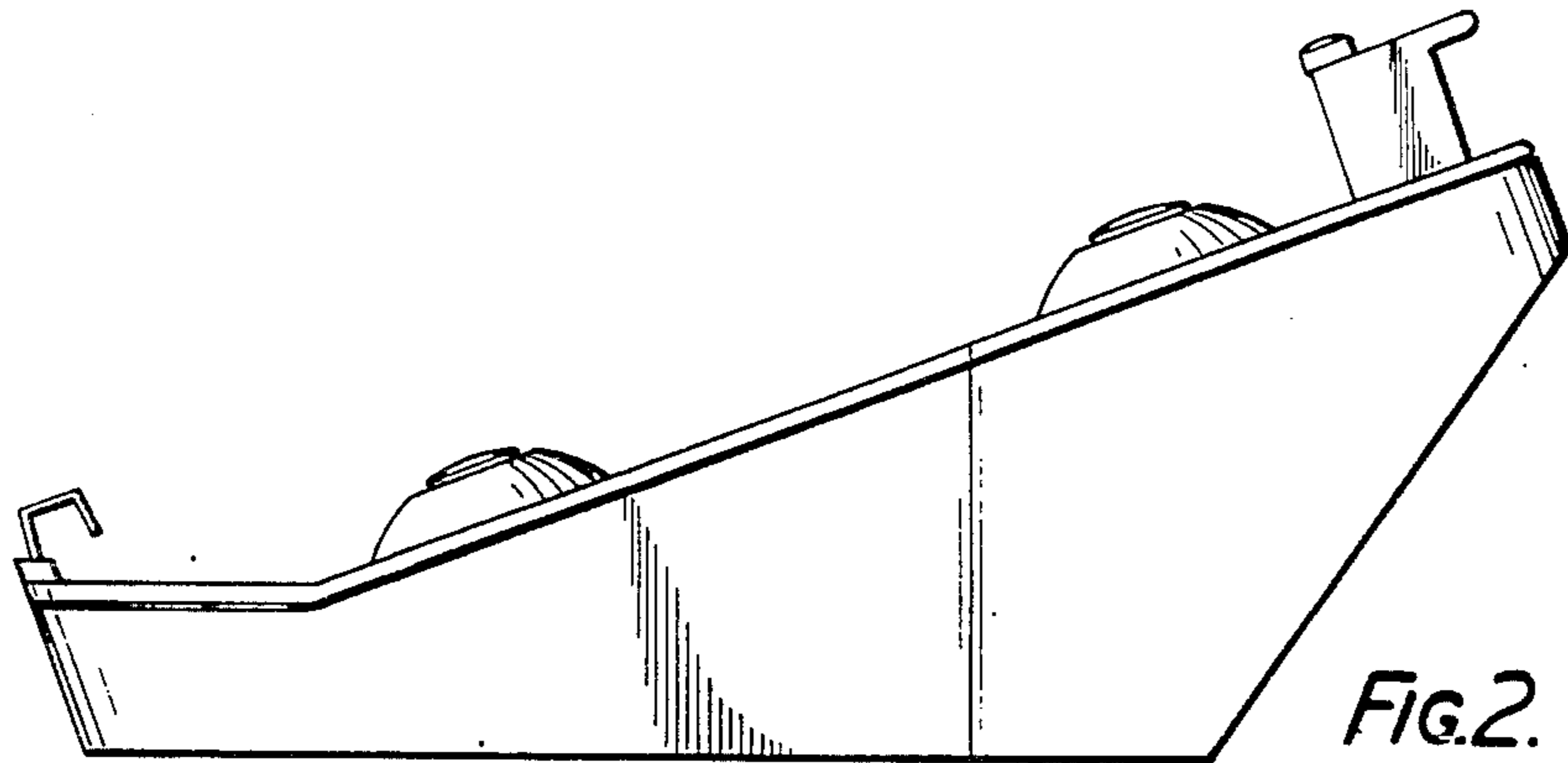
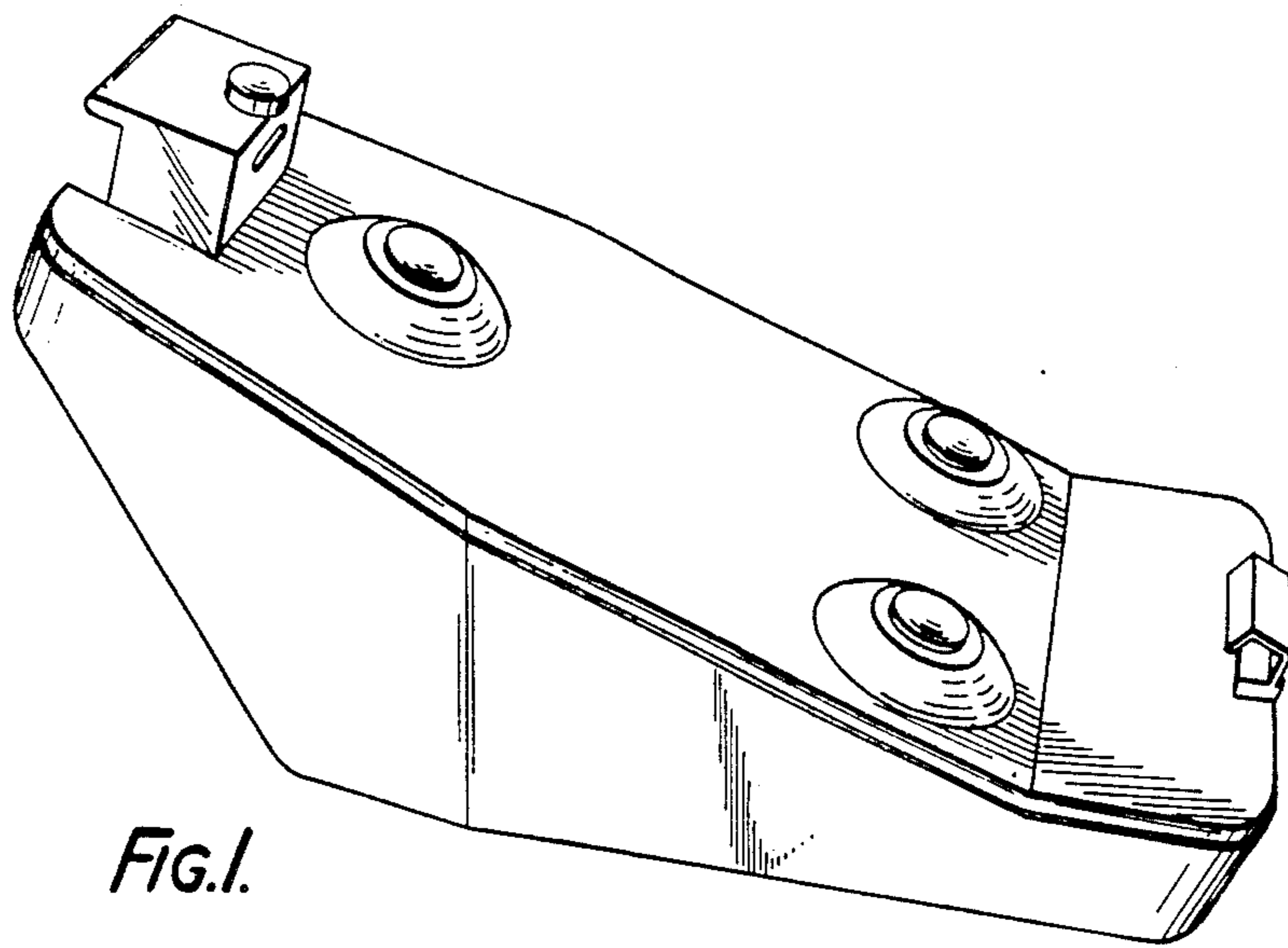
[57] CLAIM

The ornamental design for a stand for a pressing iron, substantially as shown and described.

DESCRIPTION

FIG. 1 is a top perspective view of a stand for a pressing iron showing my new design; FIG. 2 is a side view thereof; FIG. 3 is a top plan view thereof; FIG. 4 is a bottom plan view thereof; FIG. 5 is a front view thereof; and FIG. 6 is a rear view thereof.





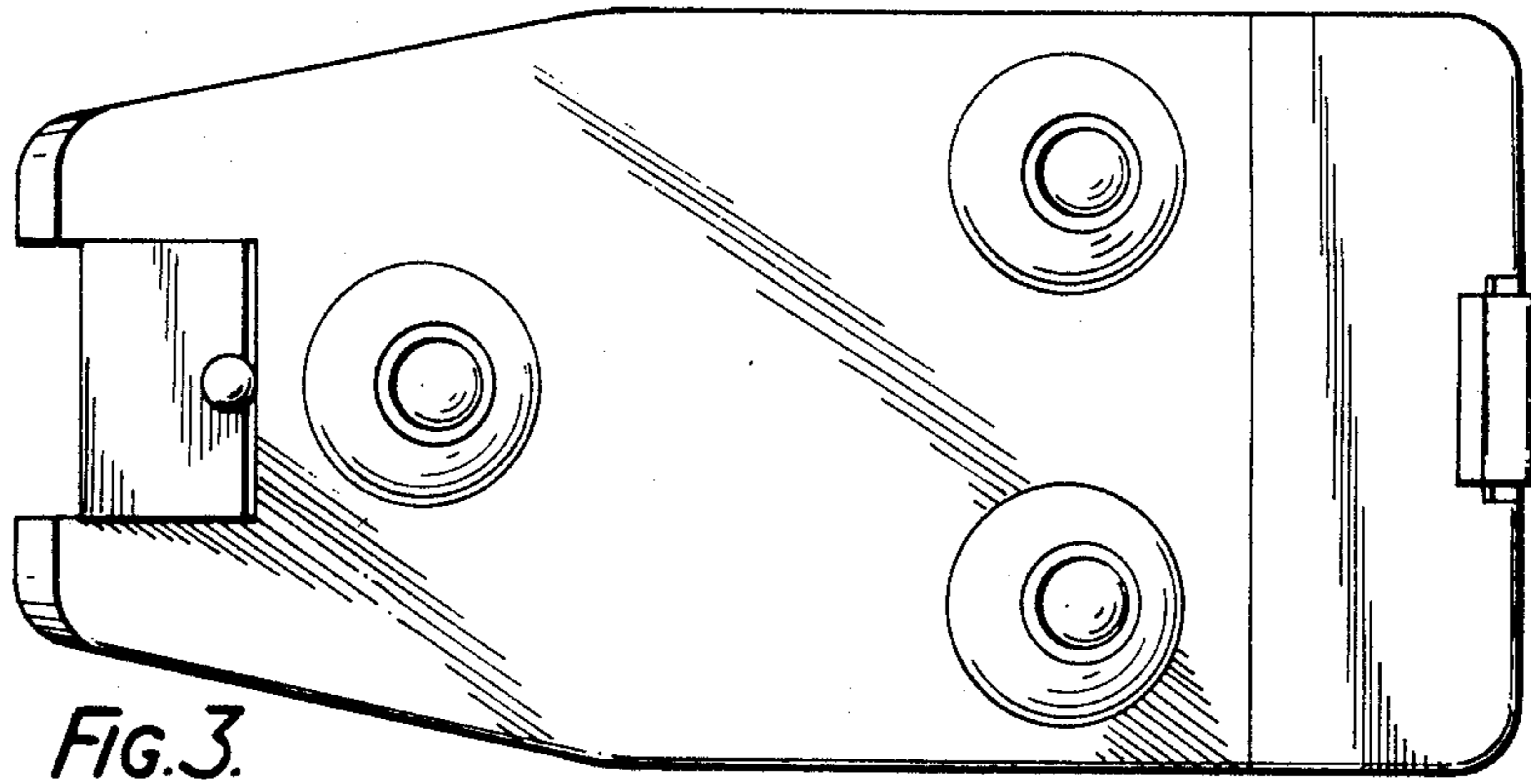


FIG. 3.

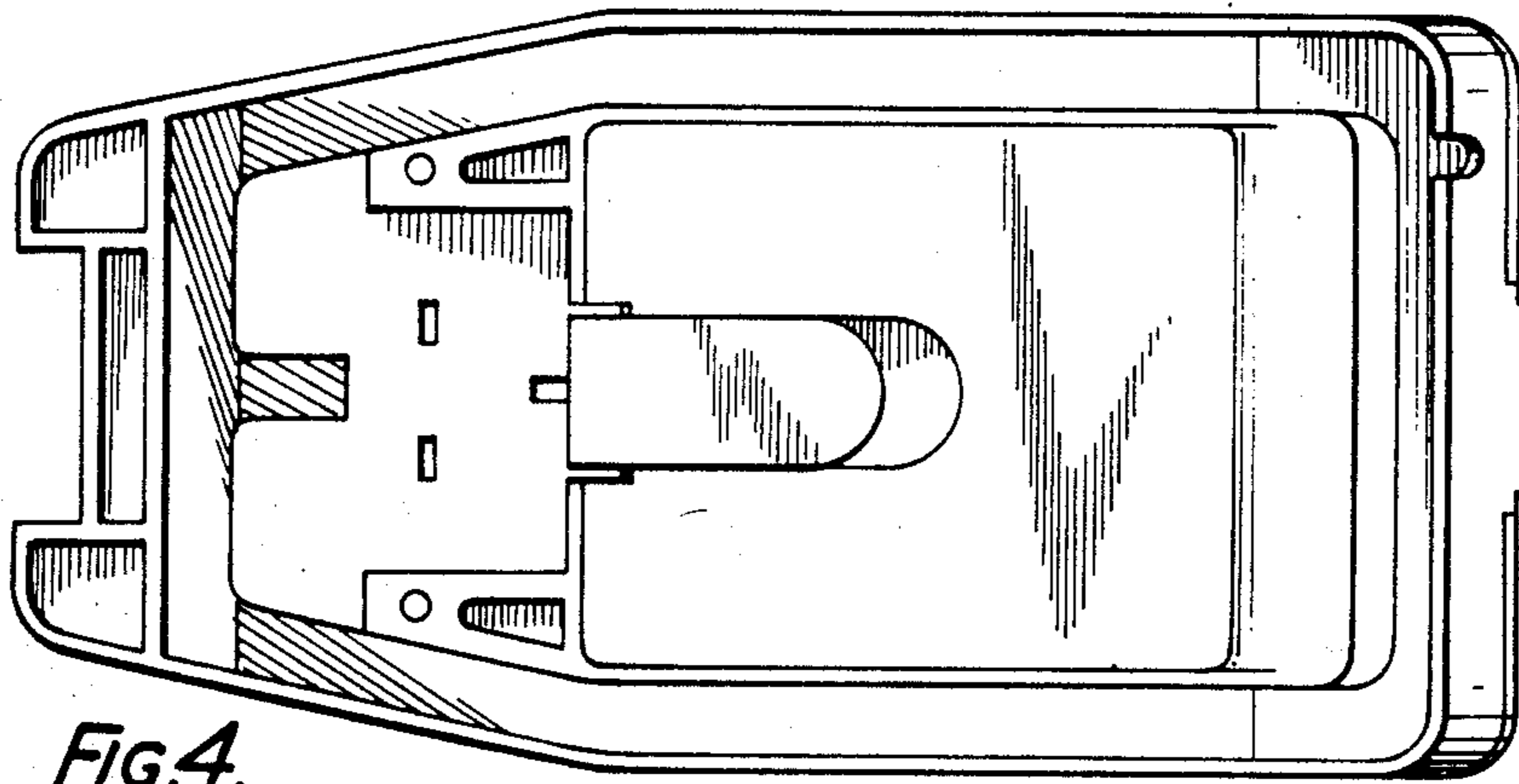


FIG. 4.

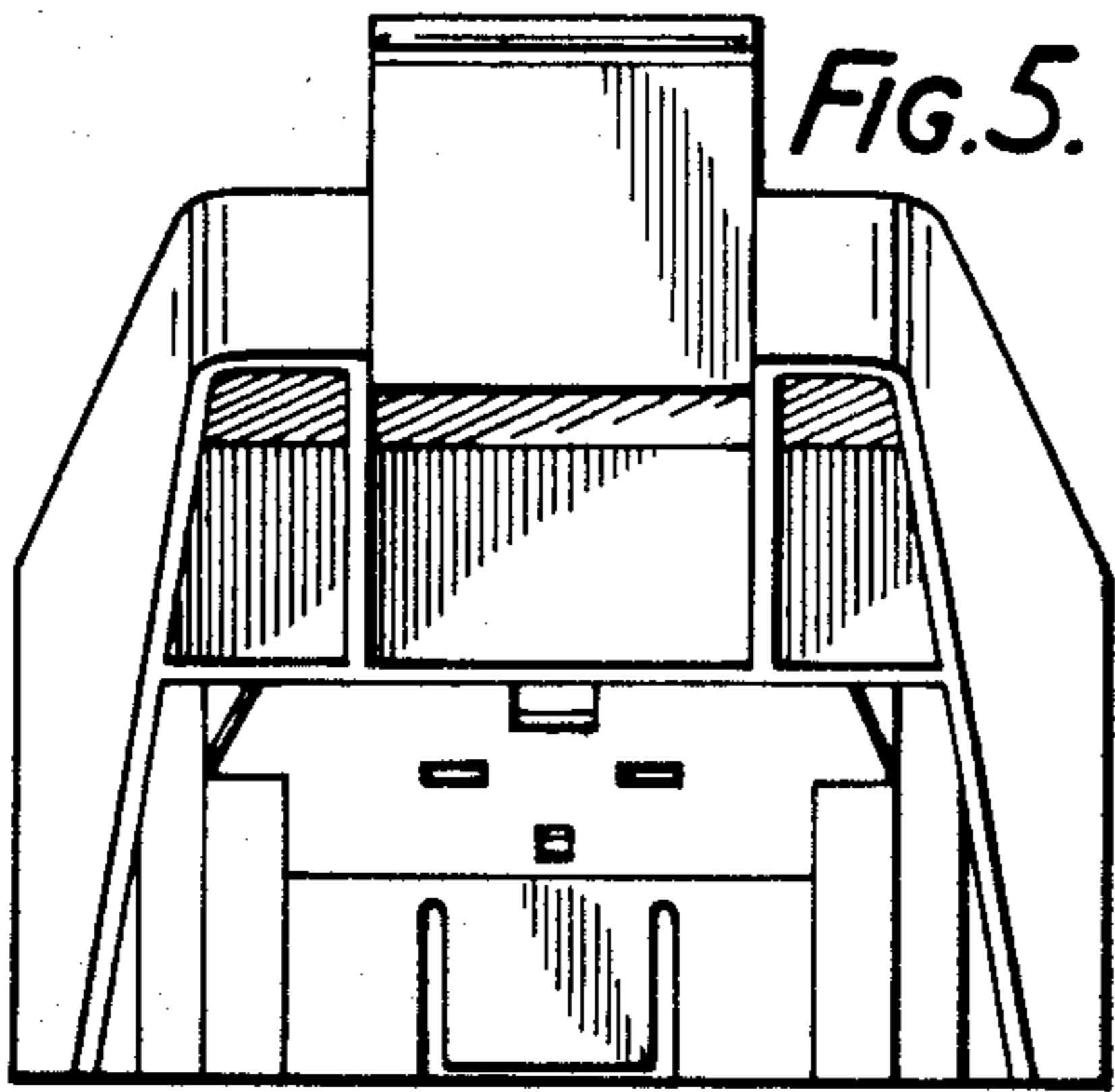


FIG. 5.

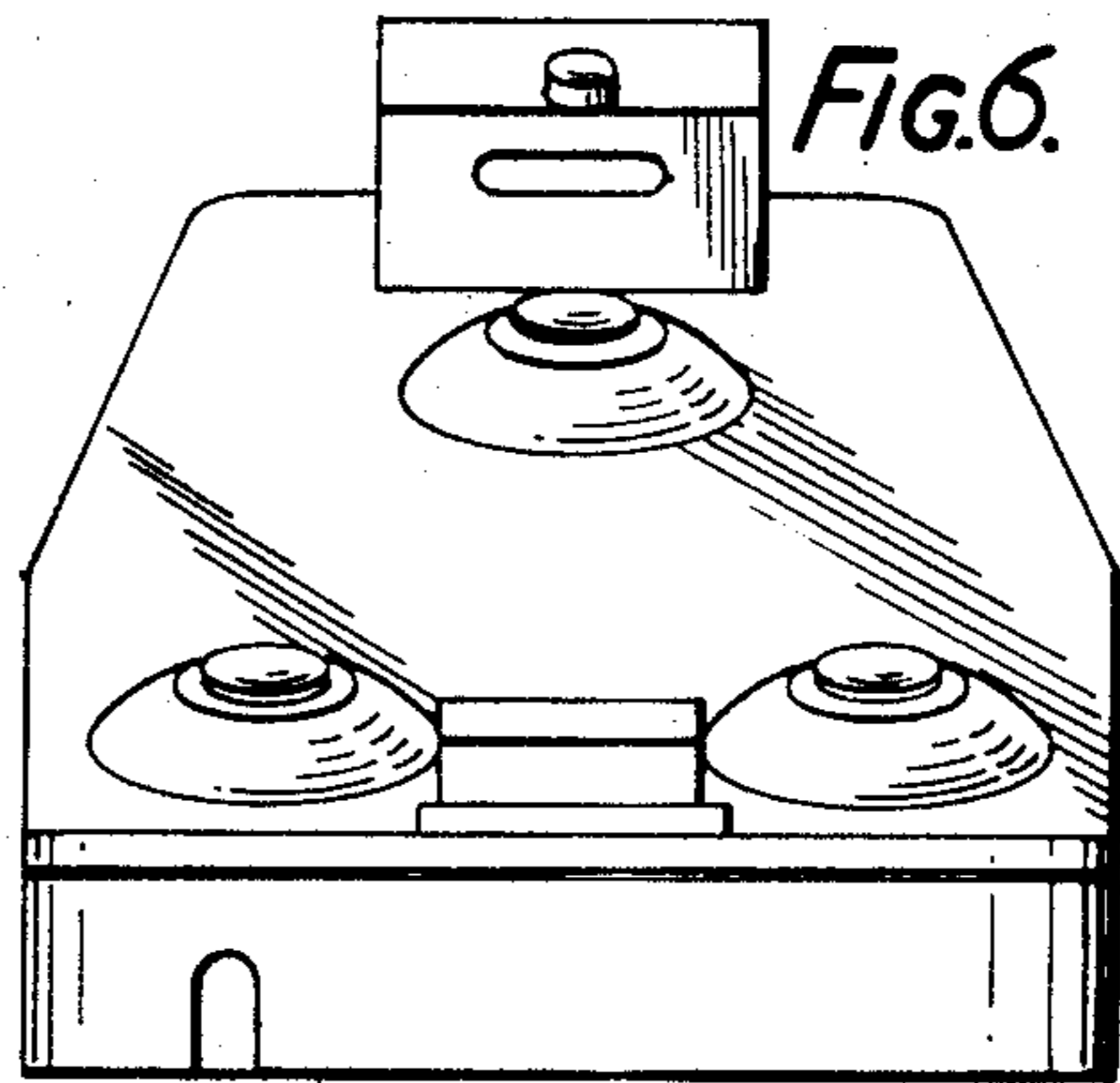


FIG. 6.