

[54] VACUUM CLEANER BRACKET

[75] Inventors: John R. Lackner, North Ridgeville; William E. Bartasevich, Jr., Kent, both of Ohio

[73] Assignee: The Scott & Fetzer Company, Westlake, Ohio

[**] Term: 14 Years

[21] Appl. No.: 732,433

[22] Filed: May 9, 1985

[52] U.S. Cl. D32/31

[58] Field of Search D32/25, 31-34; 15/323, 350, 246, 328-329, 339; 248/200, 213.2, 218.4, 309.3, 311.2

[56] References Cited

U.S. PATENT DOCUMENTS

4,106,736 8/1978 Becker, III et al. 248/311.2
4,545,089 10/1985 Oxel 15/339

FOREIGN PATENT DOCUMENTS

978314 11/1975 Canada 15/323

OTHER PUBLICATIONS

Merchandising, vol. 8, Jun. 1983, p. 97, Hoover's Concept Two Line.

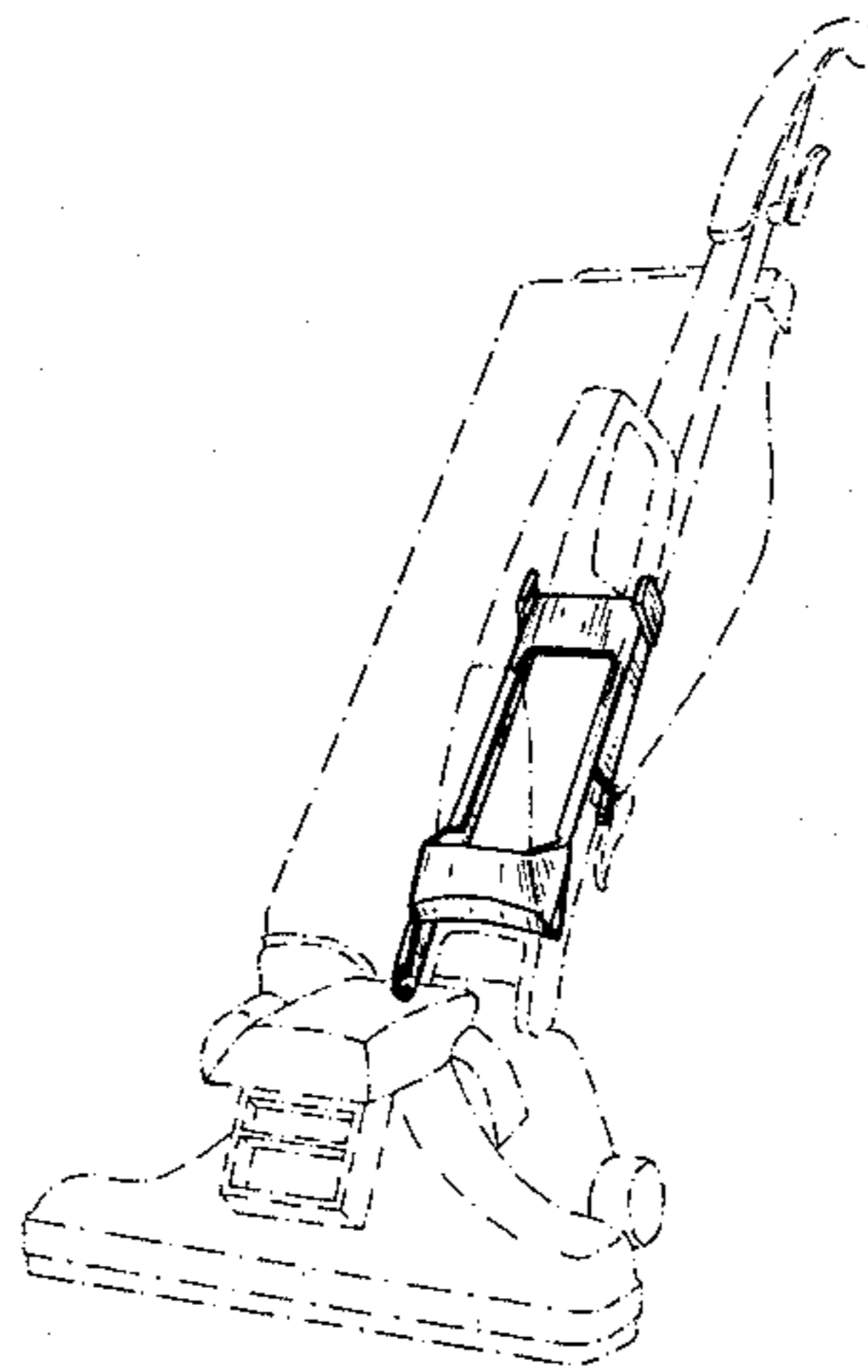
Primary Examiner—Wallace R. Burke
Assistant Examiner—Ruth E. Takemoto
Attorney, Agent, or Firm—Pearne, Gordon, McCoy & Granger

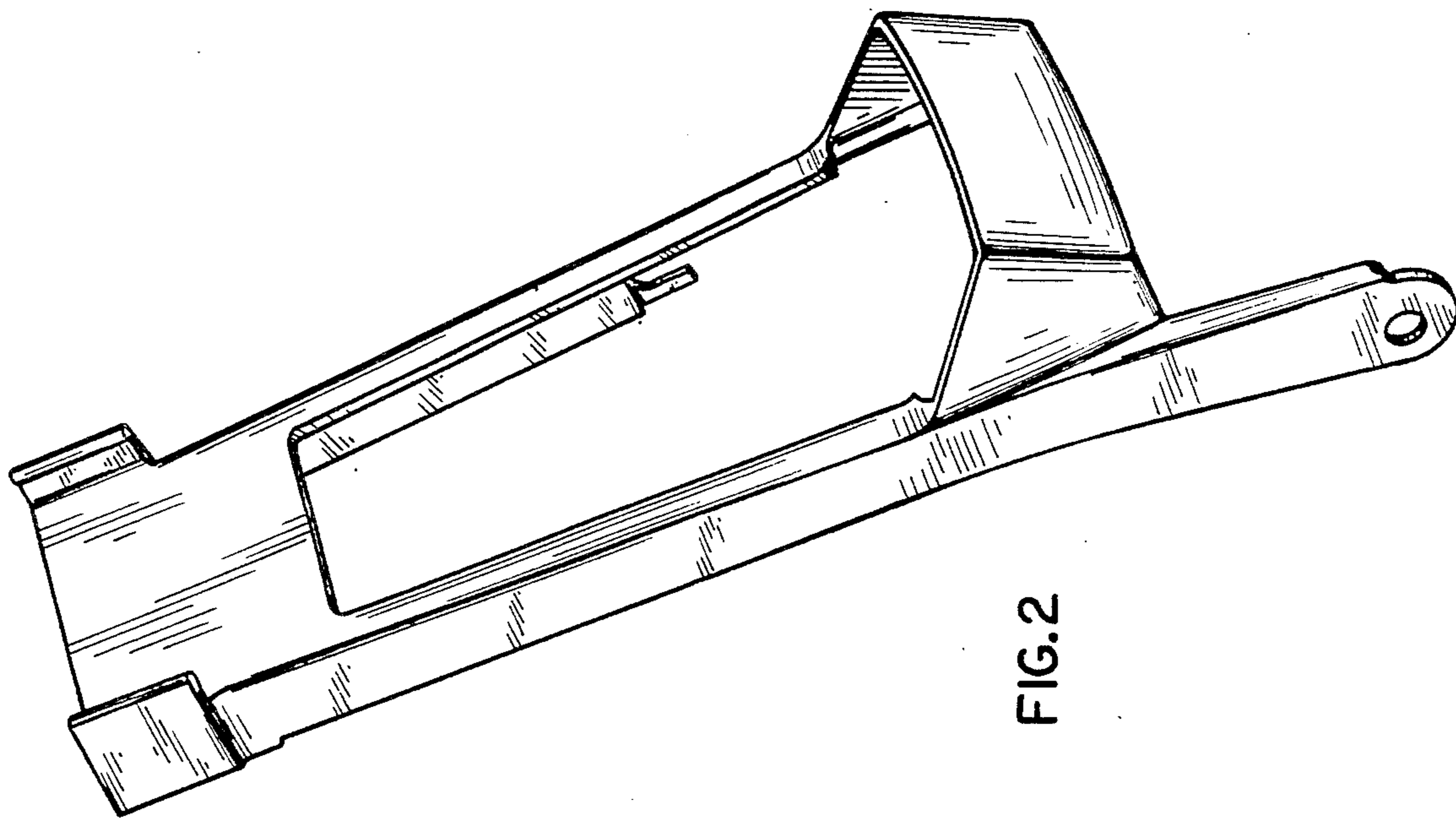
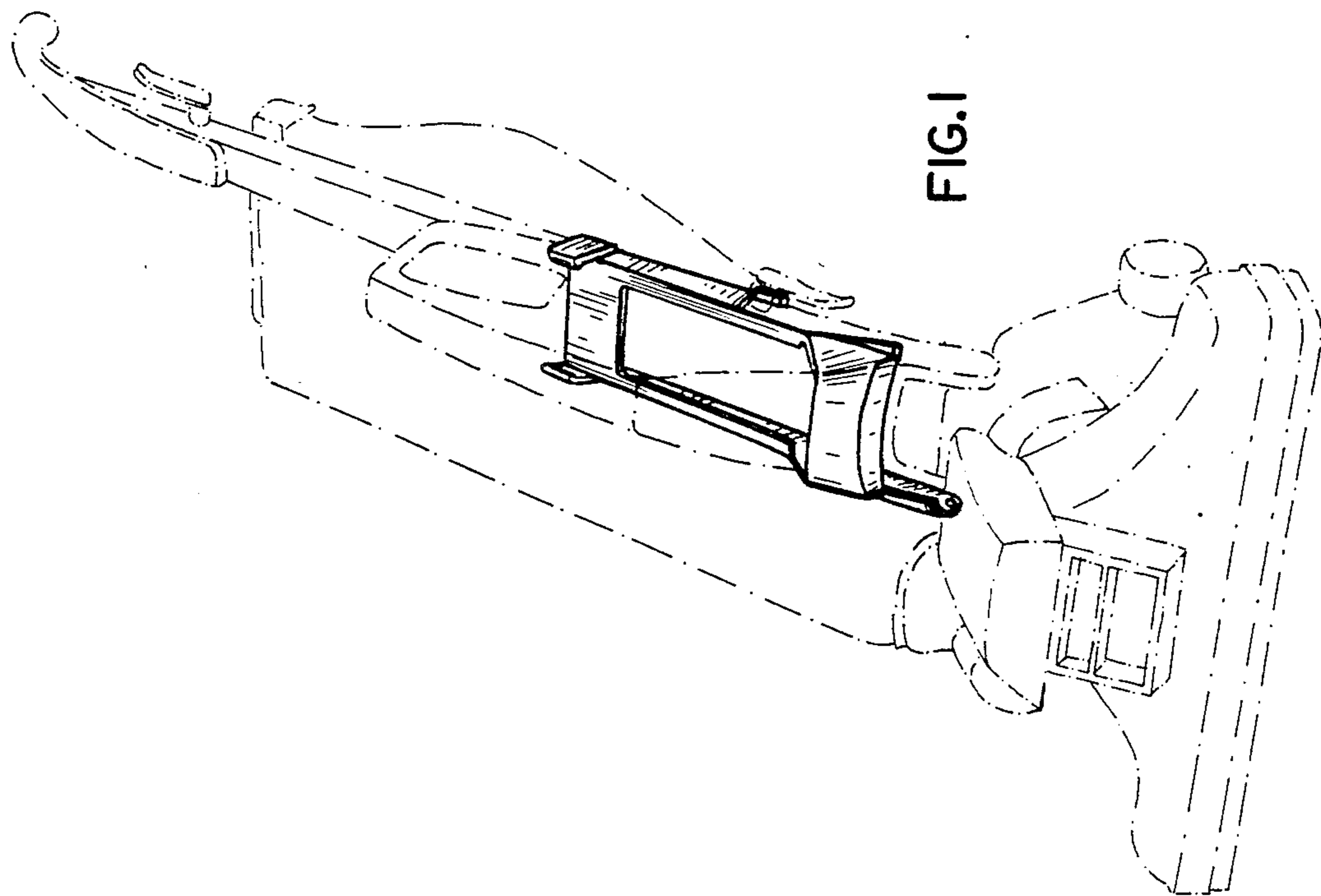
[57] CLAIM

The ornamental design for a vacuum cleaner bracket, as shown and described.

DESCRIPTION

FIG. 1 is a perspective view of a vacuum cleaner bracket showing my new design, the vacuum cleaner shown in broken lines is for illustrative purposes only and forms no part of the claimed design;
FIG. 2 is a perspective view thereof;
FIG. 3 is a top plan view thereof;
FIG. 4 is a left side elevational view thereof;
FIG. 5 is a bottom plan view thereof;
FIG. 6 is a right side elevational view thereof;
FIG. 7 is a rear elevational view thereof; and
FIG. 8 is a front elevational view thereof.





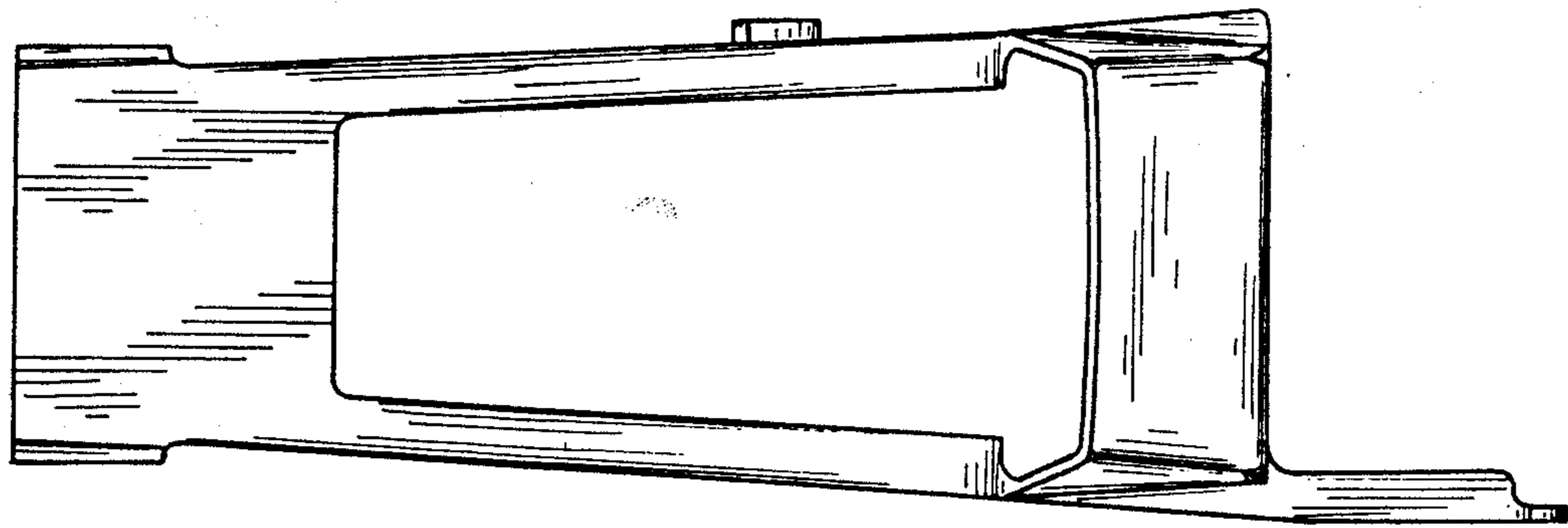


FIG. 3

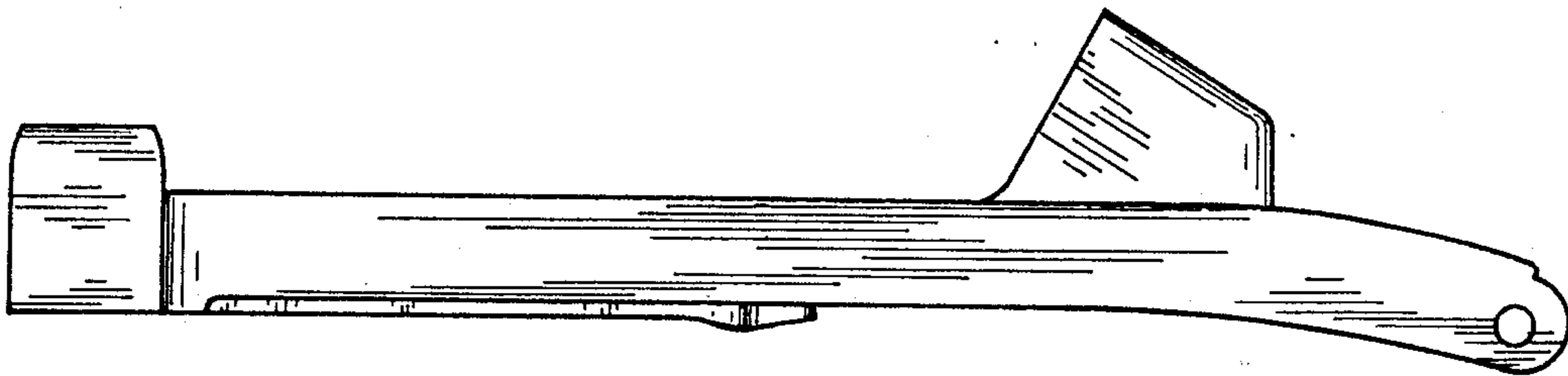


FIG. 4

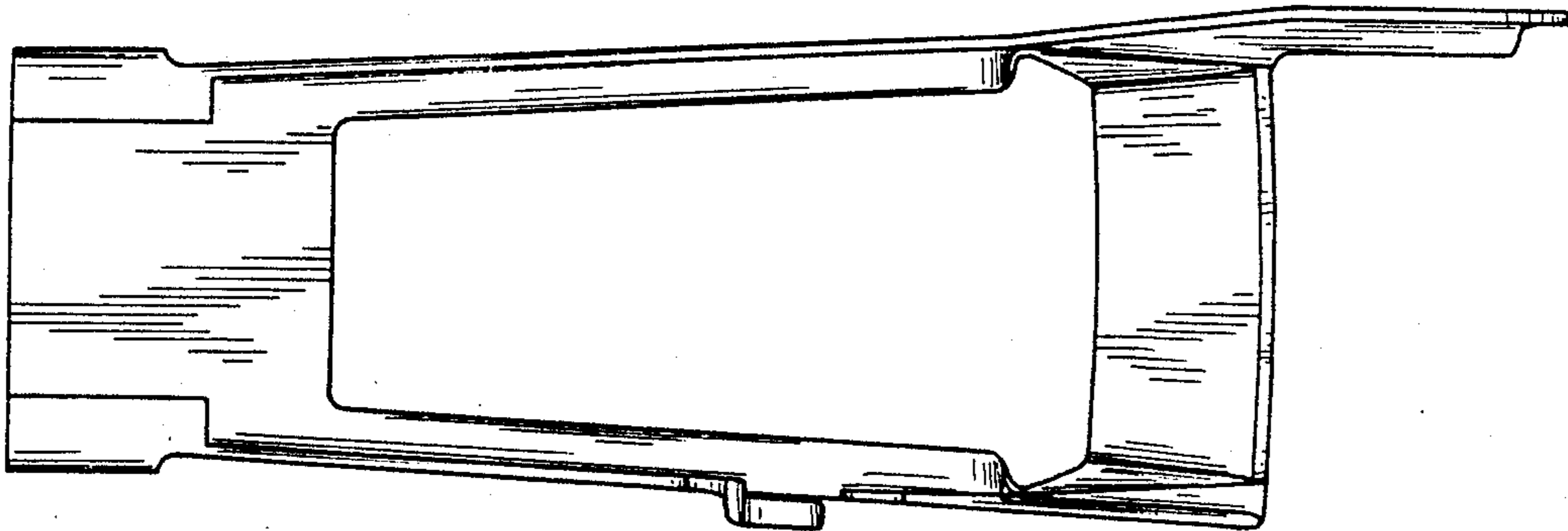


FIG. 5

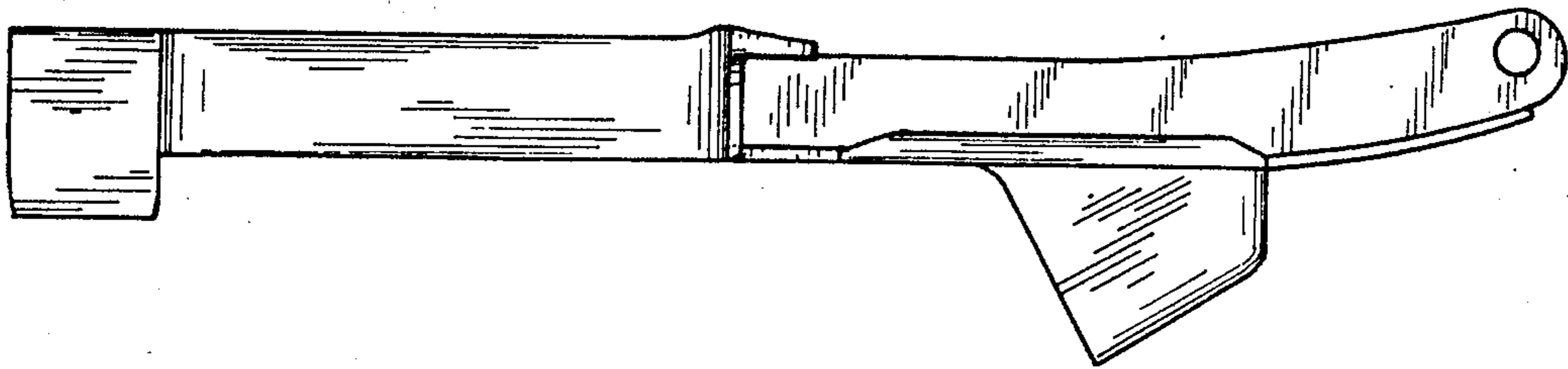


FIG. 6

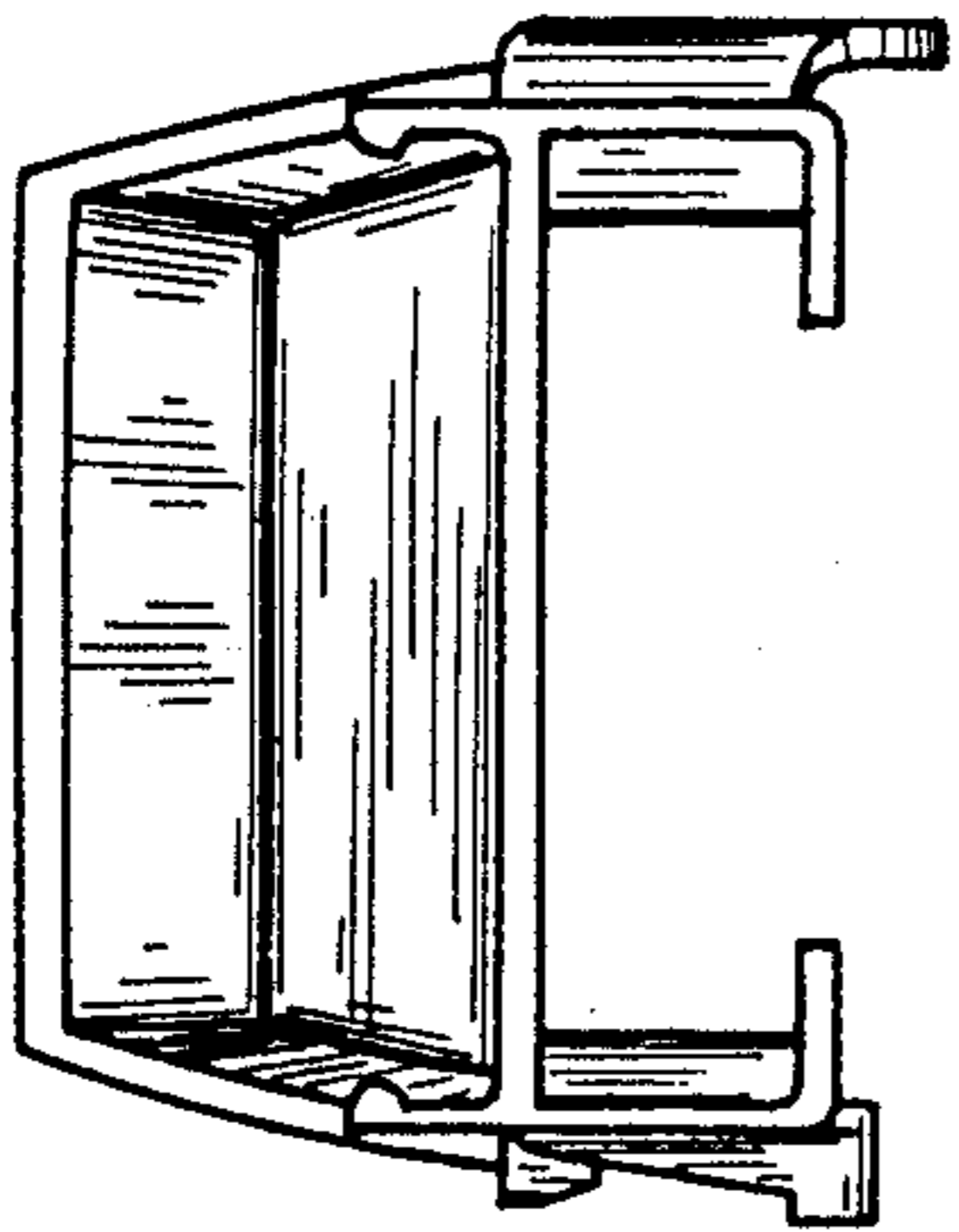


FIG. 7

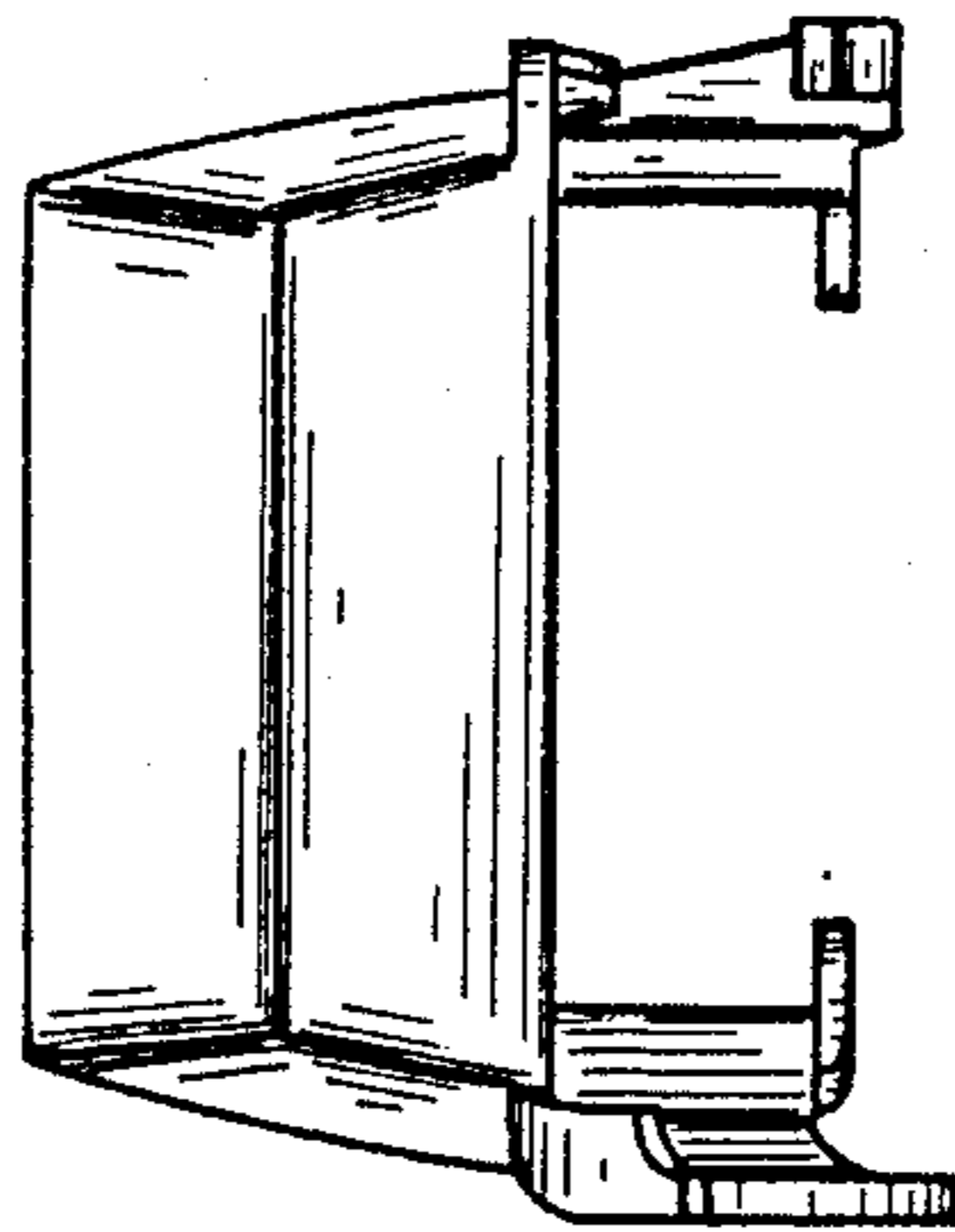


FIG. 8