

[54] CONTROL PANEL FOR A CONTROL VALVE FOR USE WITH A TOURNIQUET SYSTEM

[75] Inventor: William L. McCune, Denver, Colo.

[73] Assignee: Aspen Laboratories, Inc., Englewood, Colo.

[**] Term: 14 Years

[21] Appl. No.: 525,756

[22] Filed: Aug. 23, 1983

[52] U.S. Cl. D24/21

[58] Field of Search D24/8, 17, 21, 29, 1.1, D24/7; 137/595

[56] References Cited

U.S. PATENT DOCUMENTS

- D. 216,381 12/1969 Chuboff et al. D24/17
- D. 224,813 9/1972 Sato D24/17
- D. 252,282 7/1979 Wettermann et al. D24/8
- 3,918,490 11/1975 Goda 137/597

4,282,902 8/1981 Haynes 137/636.1

FOREIGN PATENT DOCUMENTS

2477867 3/1980 France .

Primary Examiner—Catherine E. Kemper
Attorney, Agent, or Firm—Margaret L. Geringer

[57] CLAIM

The ornamental design for a control panel for a control valve for use with a tourniquet system, as shown and described.

DESCRIPTION

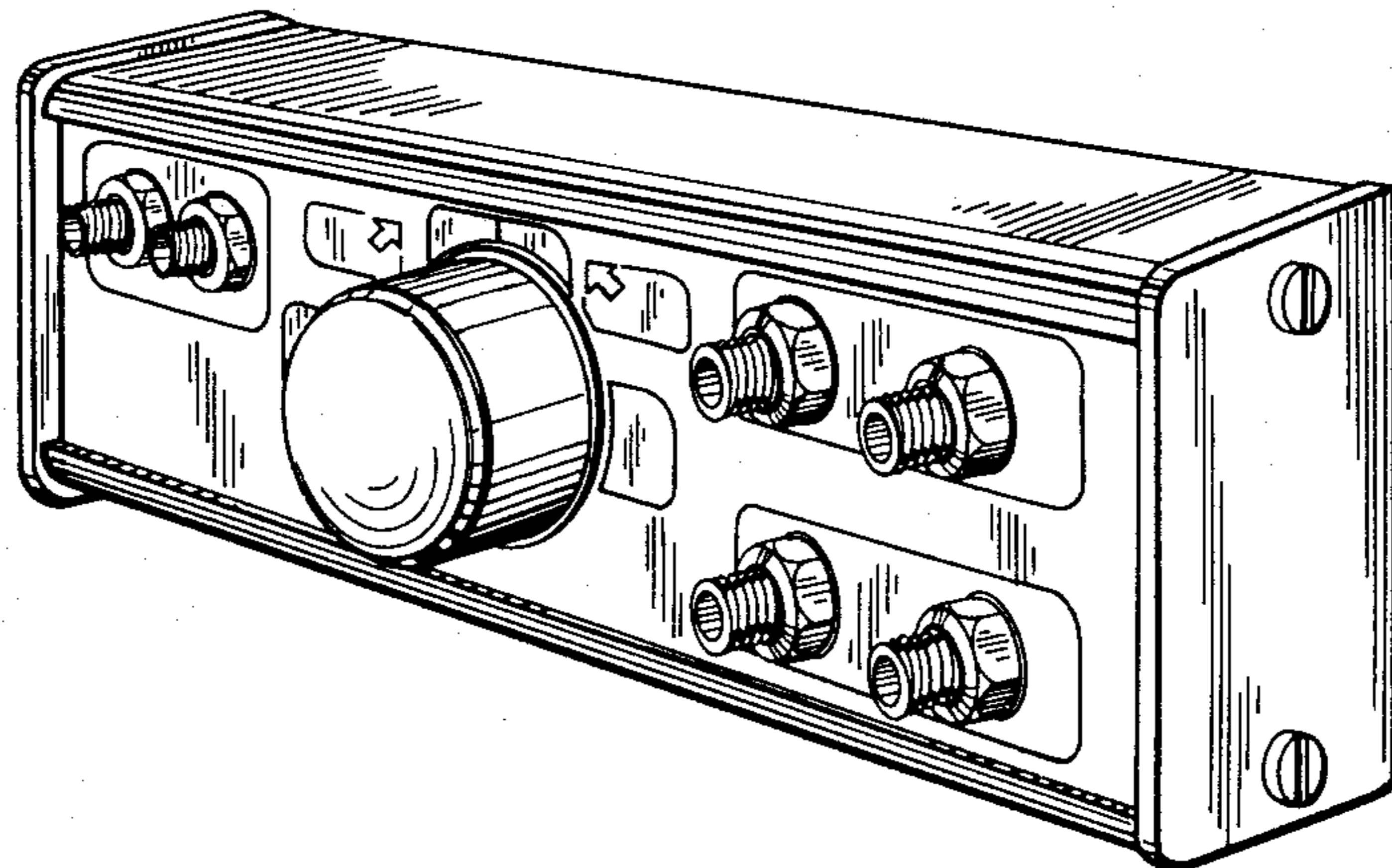
FIG. 1 is a perspective view of a control panel for a control valve for use with a tourniquet system showing my new design;

FIG. 2 is a front view thereof;

FIG. 3 is a top view thereof.

FIG. 4 is a rear view thereof.

The left side (not shown) is the same as the right side shown, and the bottom side (not shown) is the same as the top side shown.



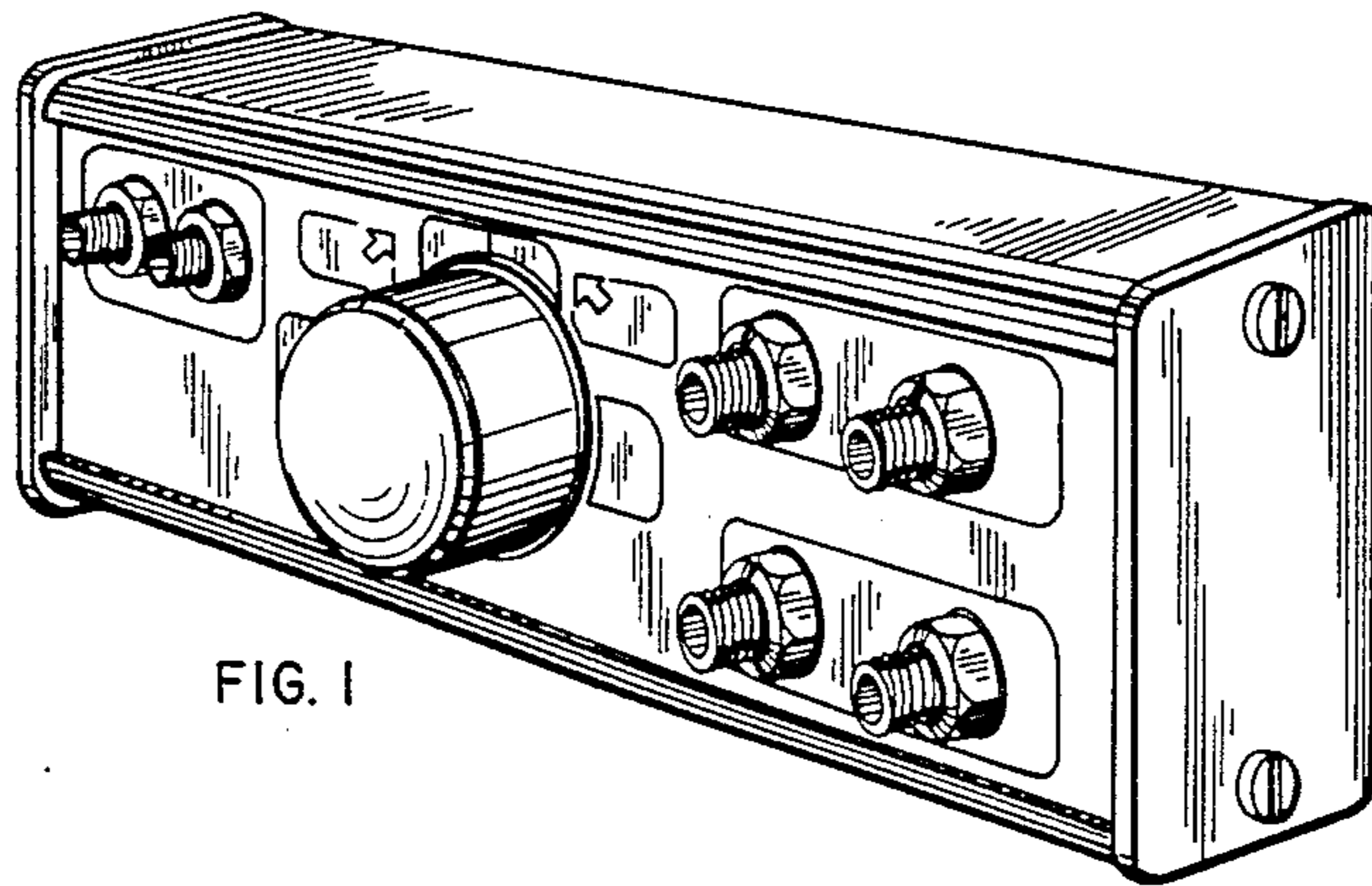


FIG. 1

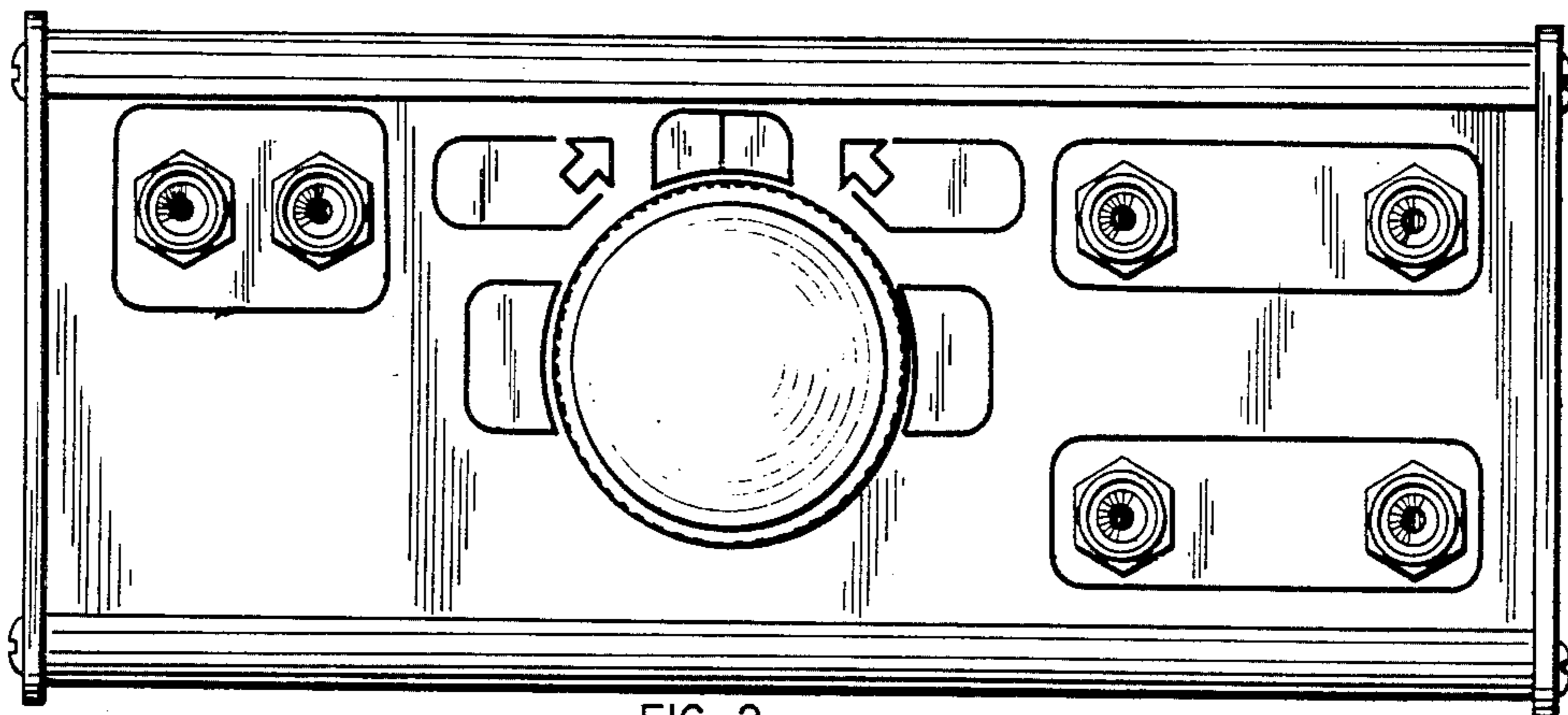


FIG. 2

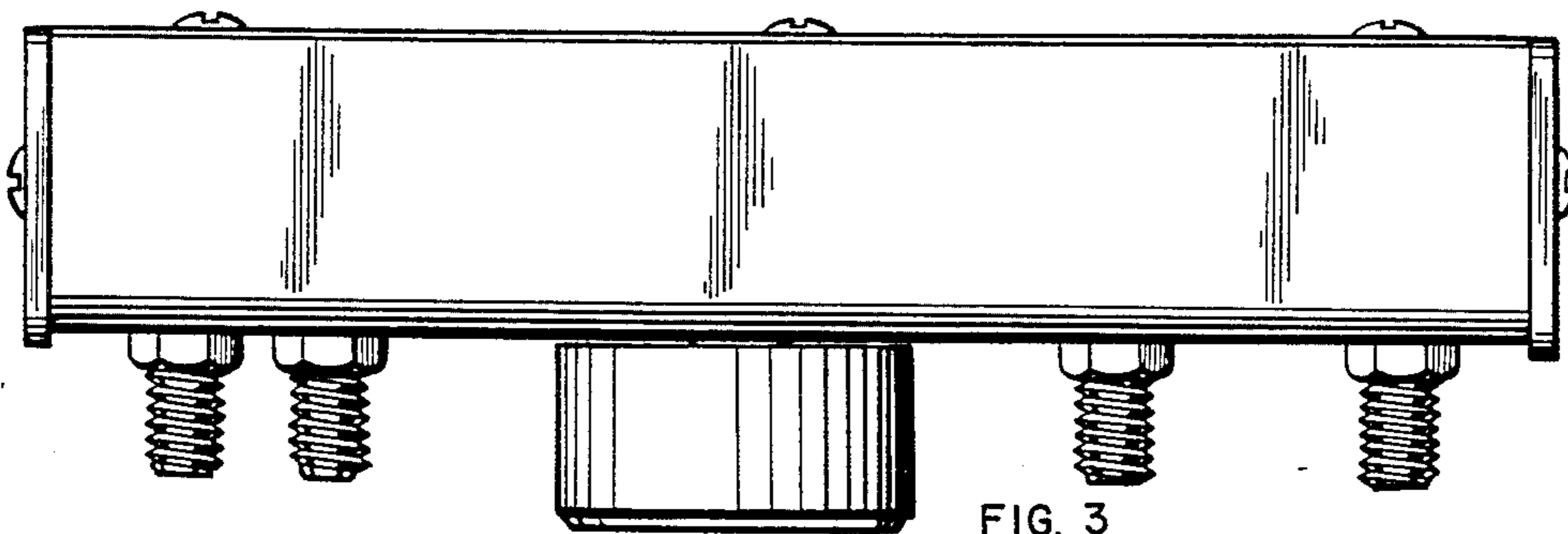


FIG. 3