

[54] SPOUT

[75] Inventors: **Andreas Haug, Altensteig; Thomas Schönherr, Egenhausen**, both of Fed. Rep. of Germany

[73] Assignee: **Hans Grohe GmbH & Co KG**, Fed. Rep. of Germany

[\*\*] Term: **14 Years**

[21] Appl. No.: **772,355**

[22] Filed: **Sep. 4, 1985**

[30] **Foreign Application Priority Data**

Mar. 15, 1985 [DE] Fed. Rep. of Germany ..... MR 1158  
OB

[52] U.S. Cl. .... **D23/32**

[58] Field of Search ..... **D23/23-32;**  
4/191, 192; 137/801

[56] **References Cited**

**U.S. PATENT DOCUMENTS**

D. 113,396	2/1939	Reinecke .....	D23/32
D. 203,243	12/1965	Bilkiss .....	D23/32
D. 211,874	8/1968	Mongerson .....	D23/32
D. 218,034	7/1970	Mongerson et al. ....	D23/32
D. 227,889	7/1973	Rauh .....	D23/32
D. 261,027	9/1981	Klose .....	D23/32
D. 266,452	10/1982	Fleischmann .....	D23/32

*Primary Examiner*—James R. Largen  
*Attorney, Agent, or Firm*—Steele, Gould & Fried

[57] **CLAIM**

The ornamental design for a spout, as shown and described.

**DESCRIPTION**

FIG. 1 is a perspective view taken from the top, front and right side of a spout showing our new design; FIG. 2 is a left side elevational view thereof; FIG. 3 is a front elevational view thereof; FIG. 4 is a rear elevational view thereof; FIG. 5 is a top plan view thereof; and FIG. 6 is a bottom plan view thereof.

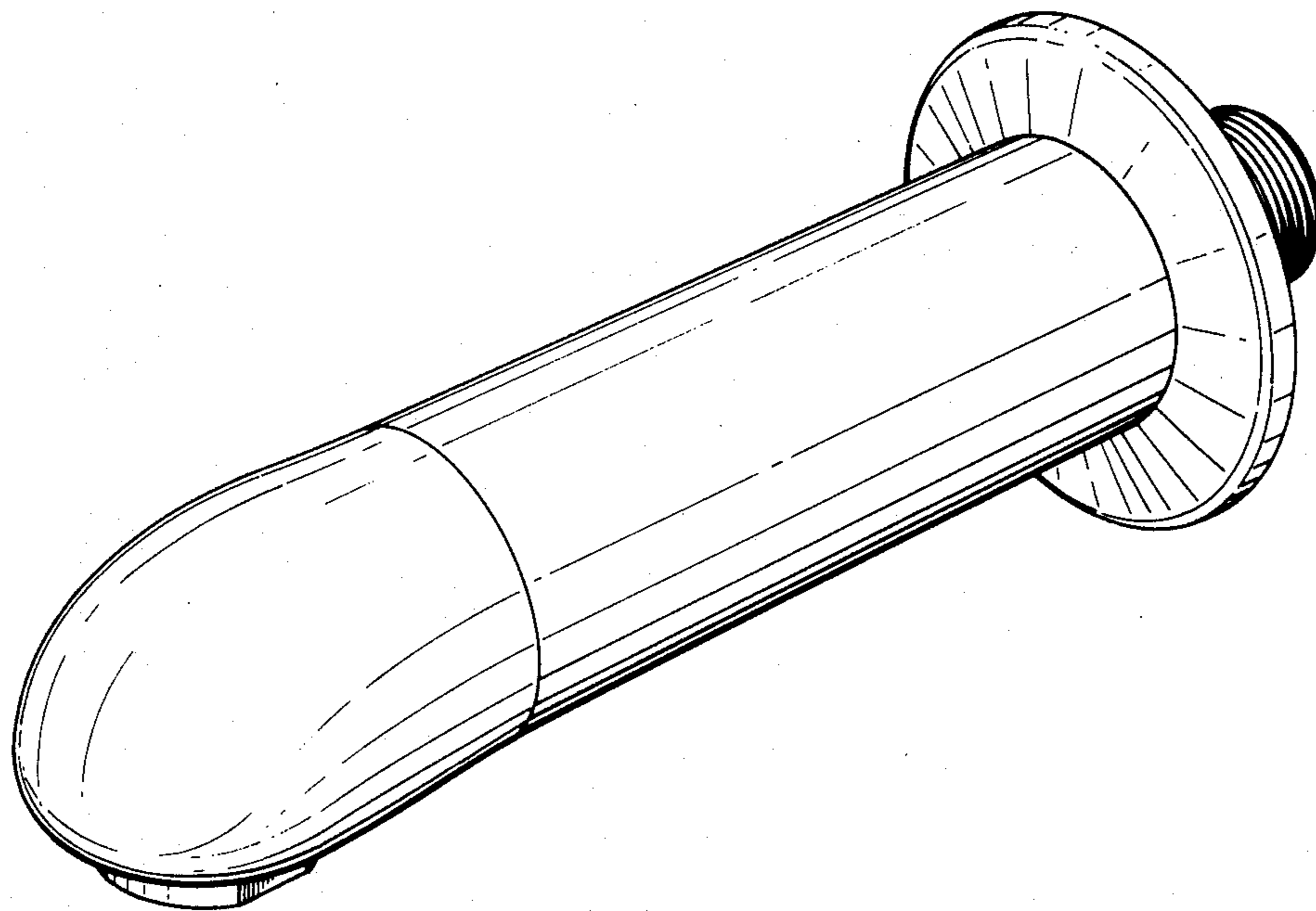
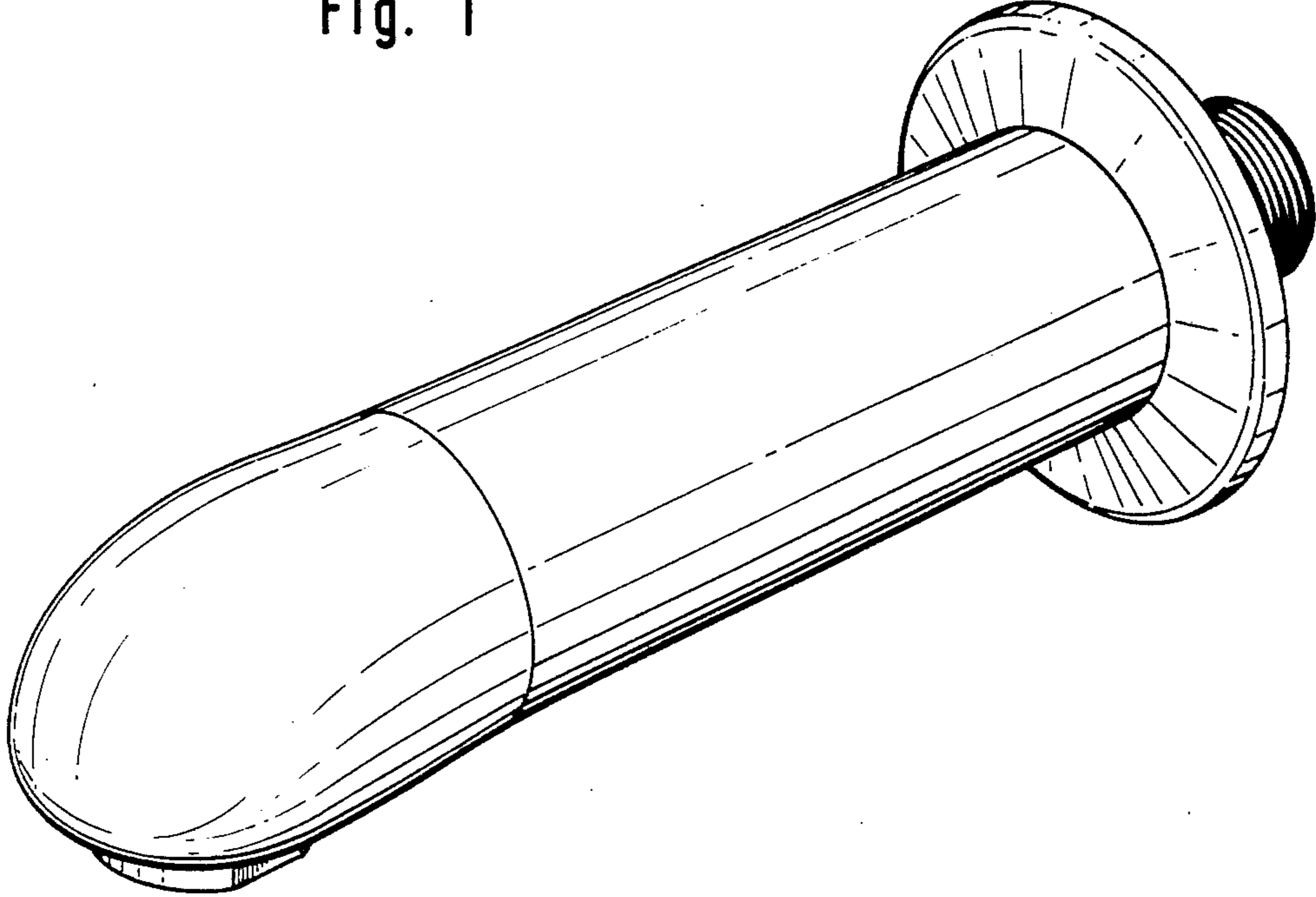


Fig. 1



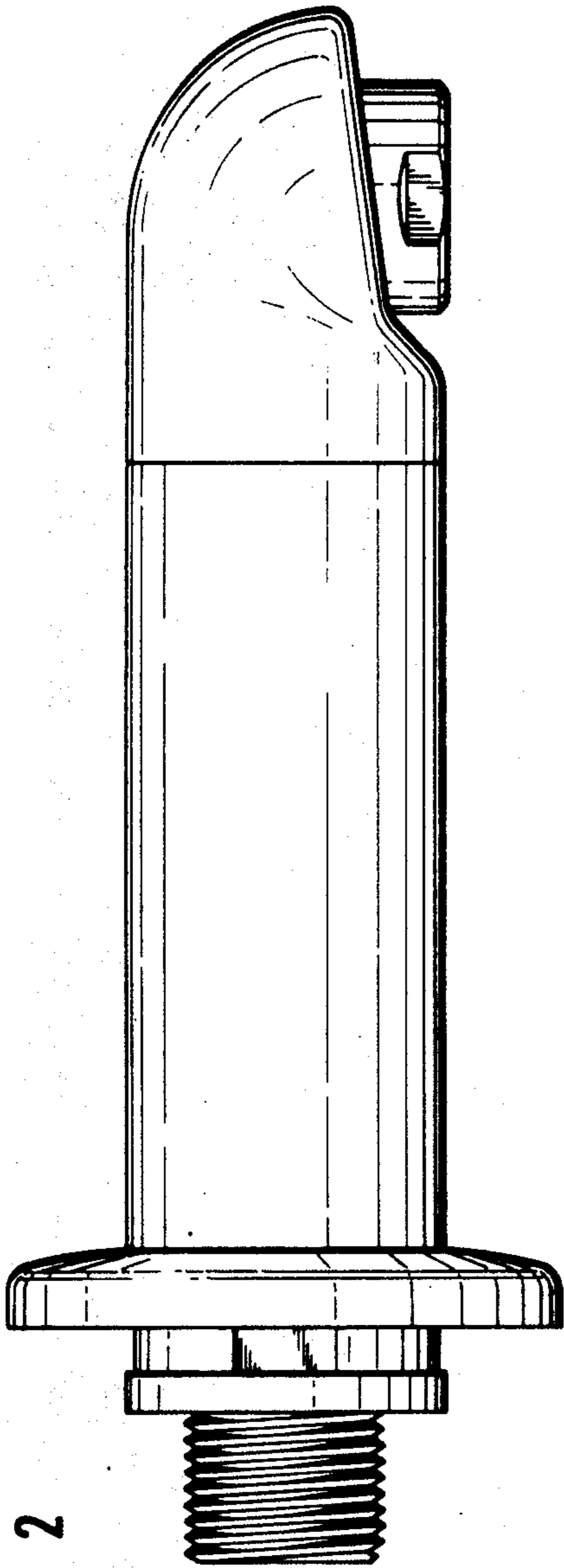


Fig. 2

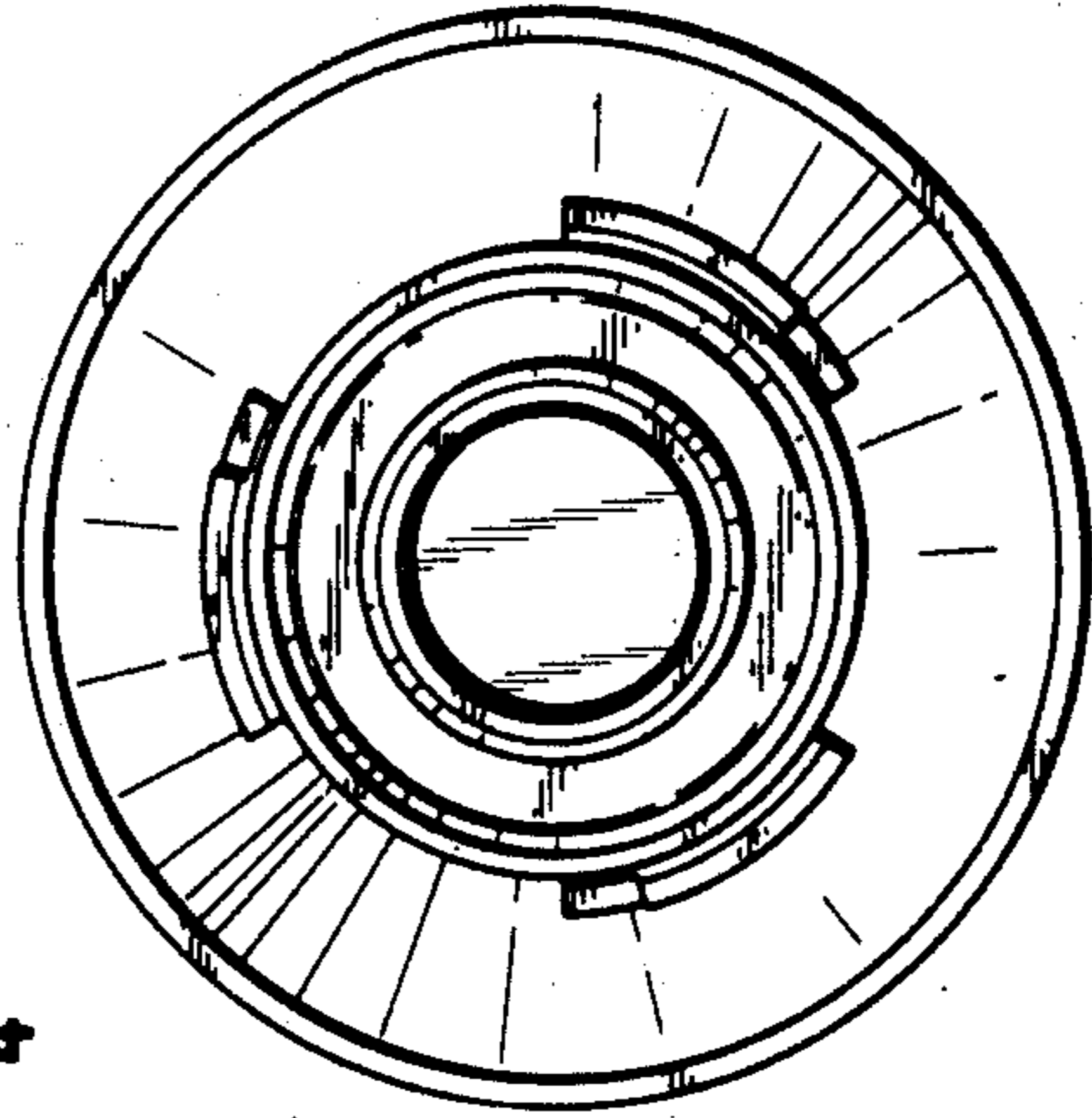


Fig. 4

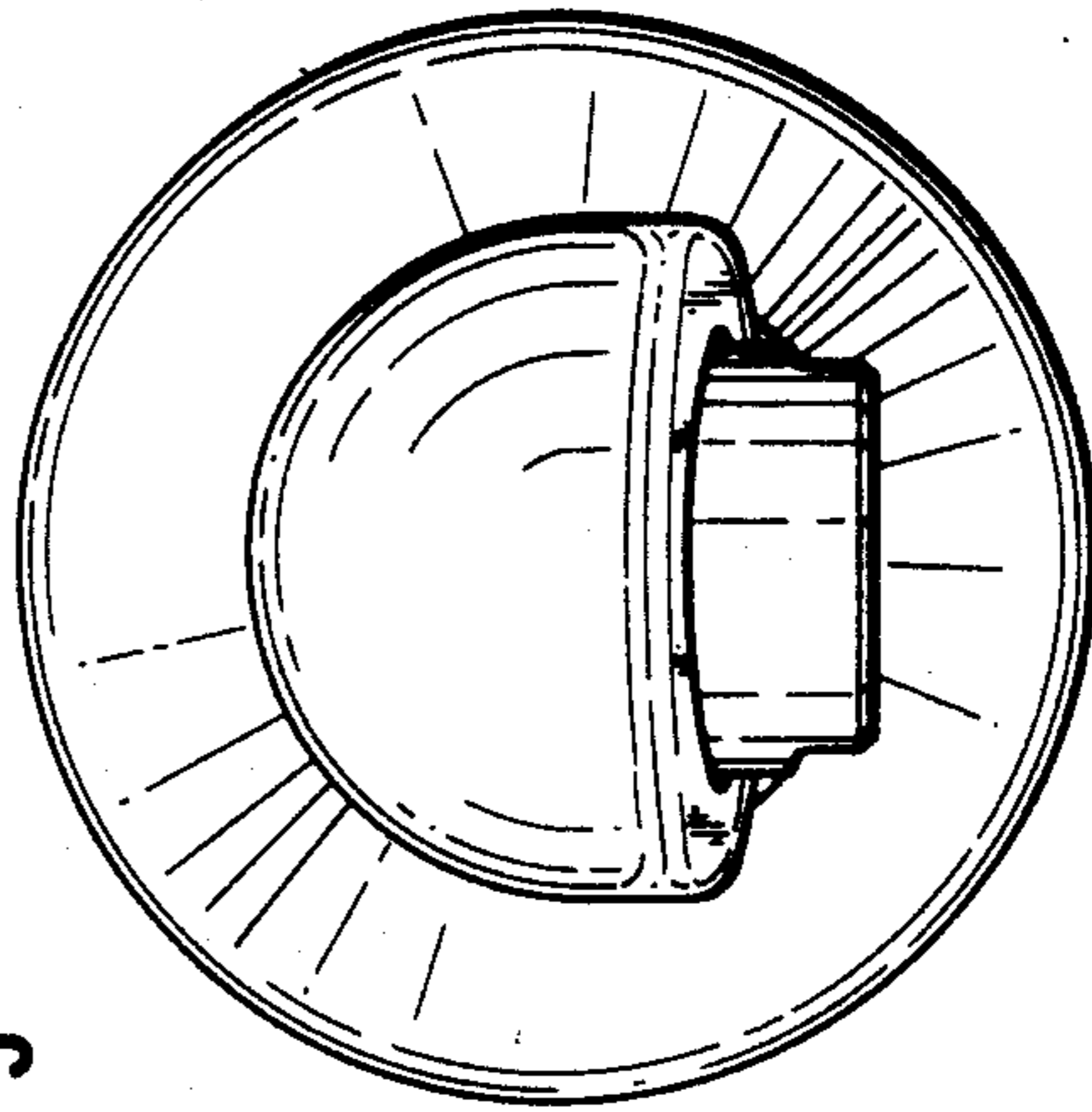


Fig. 3

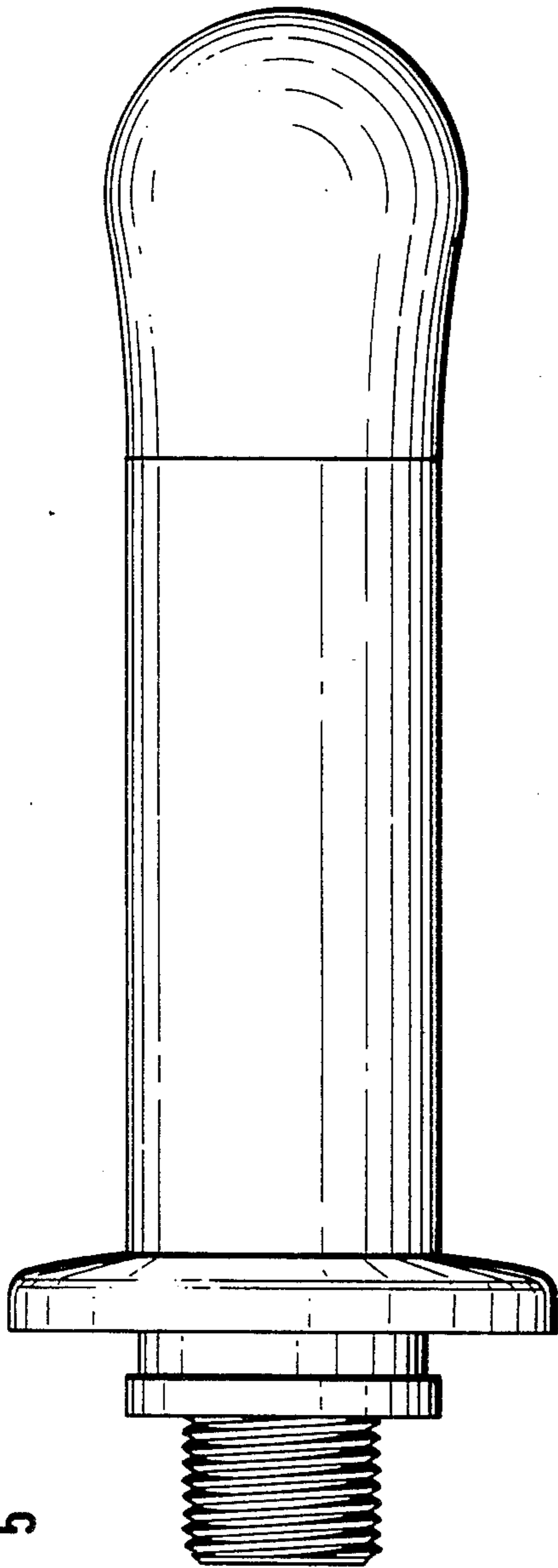


Fig. 5

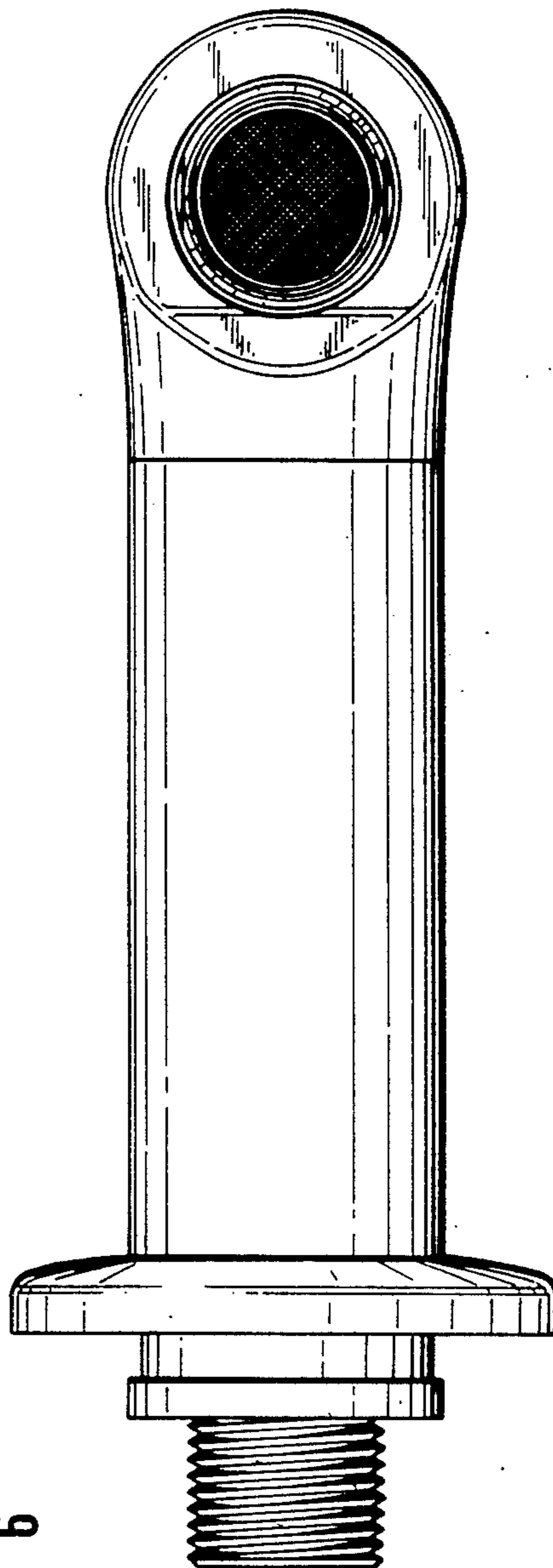


Fig. 6