

[54] COMBINED PRESSURE REDUCER AND FERTILIZER DISPENSER

[75] Inventors: Clivio: Franco, Zürich, Switzerland; Dieter Raffler, Neu-Ulm, Fed. Rep. of Germany

[73] Assignee: Gardena Kress & Kastner GmbH, Fed. Rep. of Germany

[**] Term: 14 Years

[21] Appl. No.: 657,410

[22] Filed: Oct. 3, 1984

[30] Foreign Application Priority Data

Apr. 4, 1984 [DE] Fed. Rep. of Germany GRAIII730/8403

[52] U.S. Cl. D23/3

[58] Field of Search D23/1, 3, 4, 21; 137/268, 505.25; 138/106; 210/266, 445, 446; 239/273, 282, 283, 285, 310, DIG. 23

[56] References Cited

U.S. PATENT DOCUMENTS

D. 217,246 4/1970 Armand D23/21

D. 231,928	6/1972	Nelson	D23/1
D. 232,551	8/1974	Grover	D23/4
D. 240,300	6/1976	Gelman et al.	D23/4
D. 248,485	7/1978	Strauss et al.	D23/4
D. 249,542	9/1978	Aldridge et al.	D23/4
D. 260,116	8/1981	Hattori et al.	D23/3
D. 274,745	7/1984	Want	D23/4
4,340,179	7/1982	Knapp	239/310
4,385,034	5/1983	Gacer	239/310
4,464,186	8/1984	Mann	210/446 X

Primary Examiner—James R. Largen
Attorney, Agent, or Firm—Steele, Gould & Fried

[57] CLAIM

The ornamental design for a combined pressure reducer and fertilizer dispenser, as shown or described.

DESCRIPTION

FIG. 1 is a perspective view taken from the top, front and right side of a combined pressure reducer and fertilizer dispenser showing our new design; FIG. 2 is a top plan view thereof; FIG. 3 is a left side elevational view thereof; FIG. 4 is a bottom plan view thereof; FIG. 5 is a rear elevational view thereof; and FIG. 6 is a front elevational view thereof.

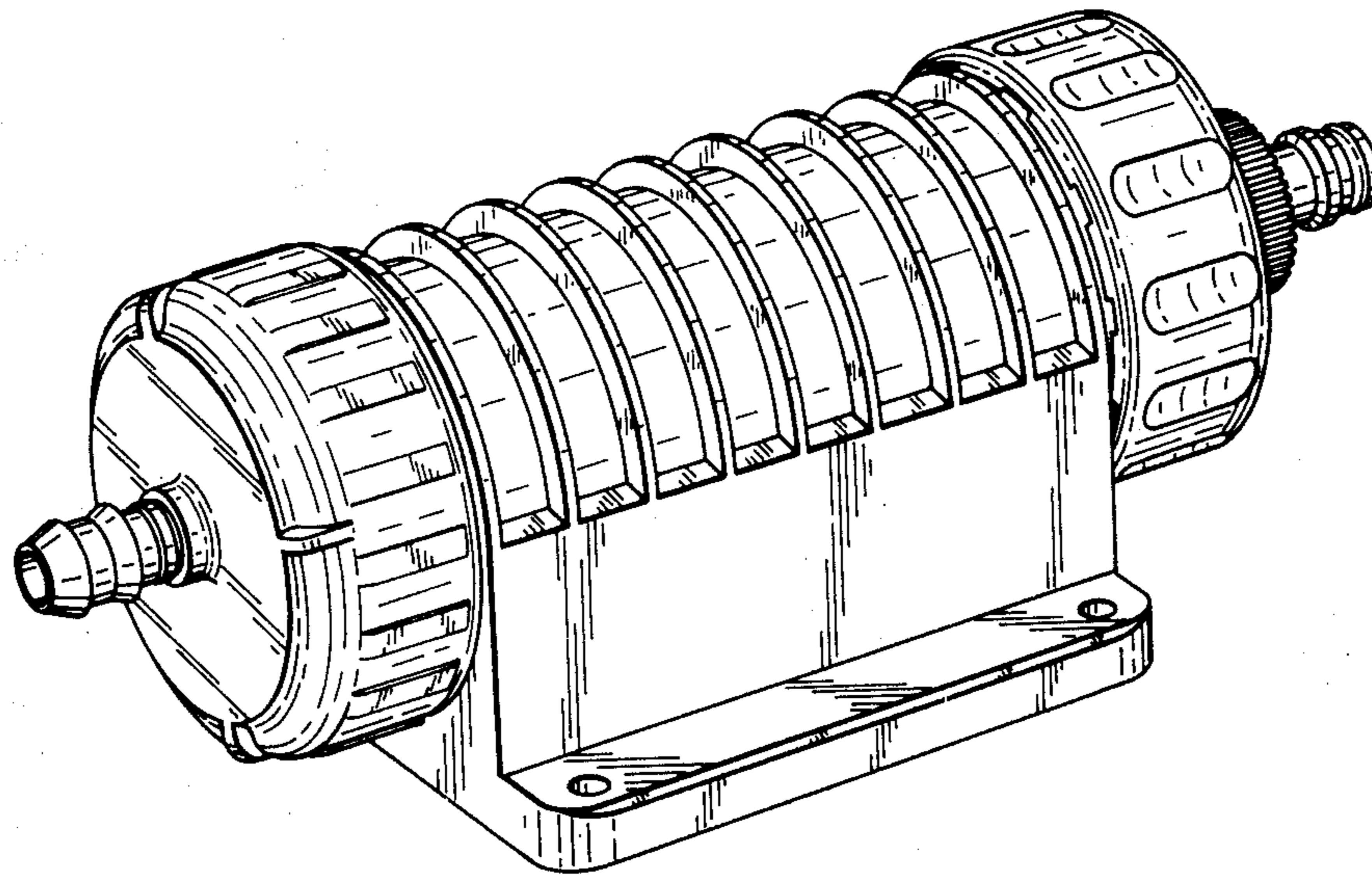


FIG. 1

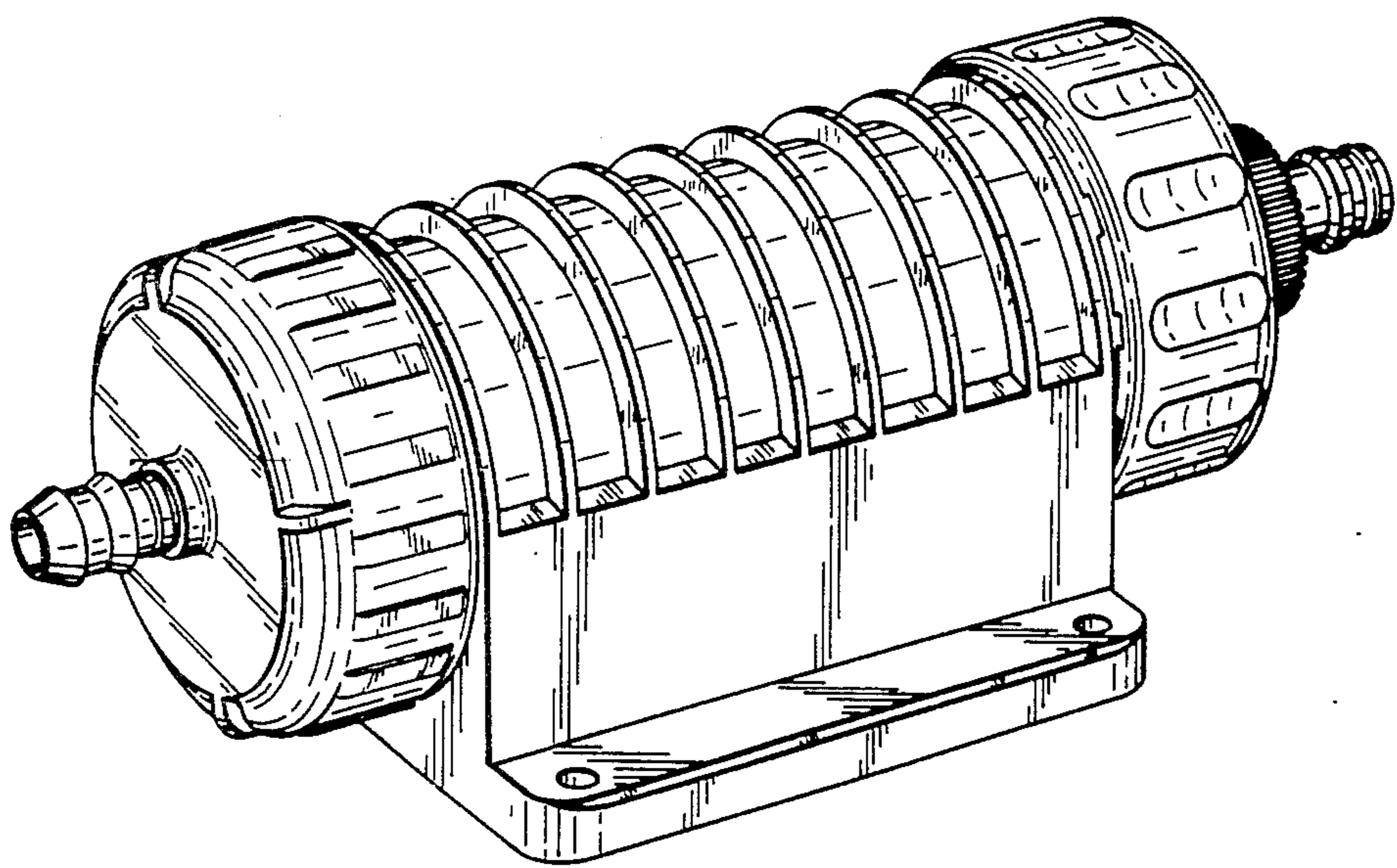


FIG. 2

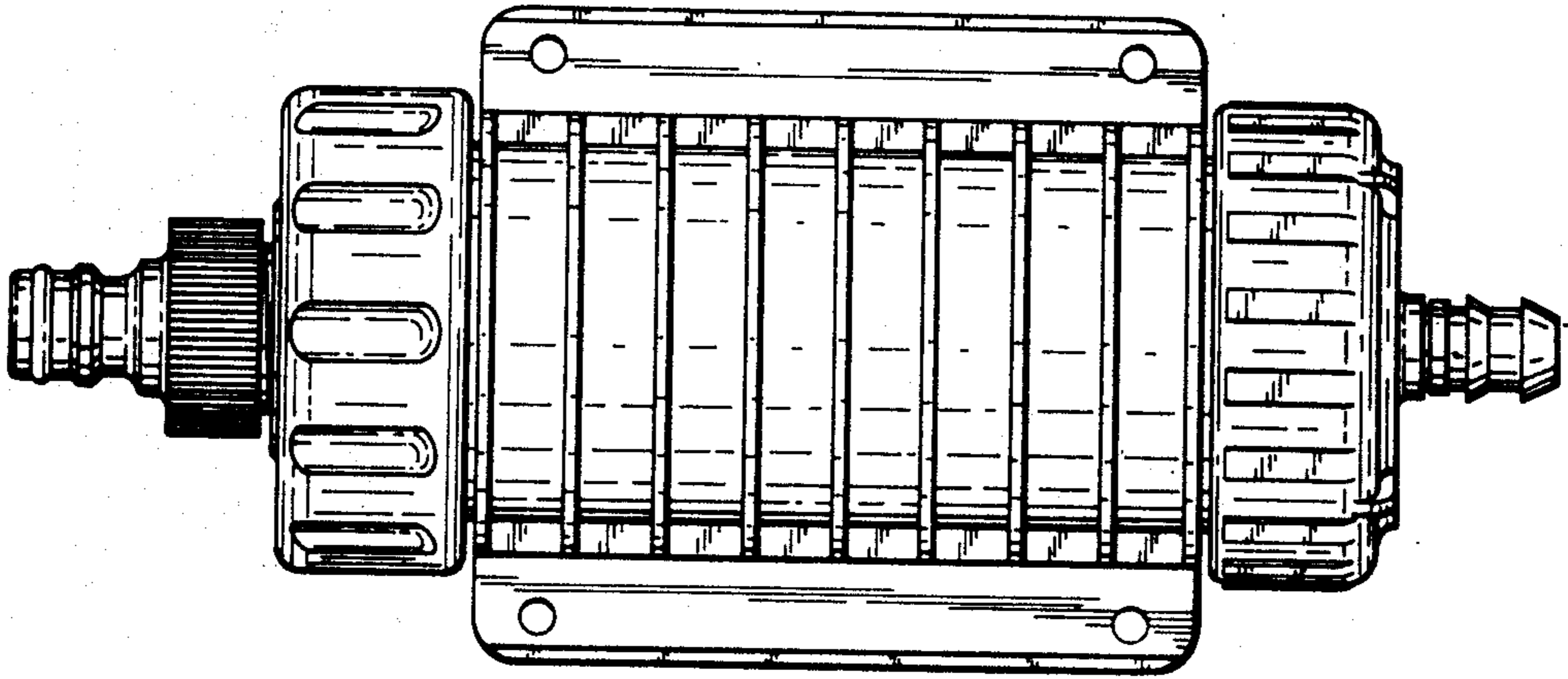


FIG. 3

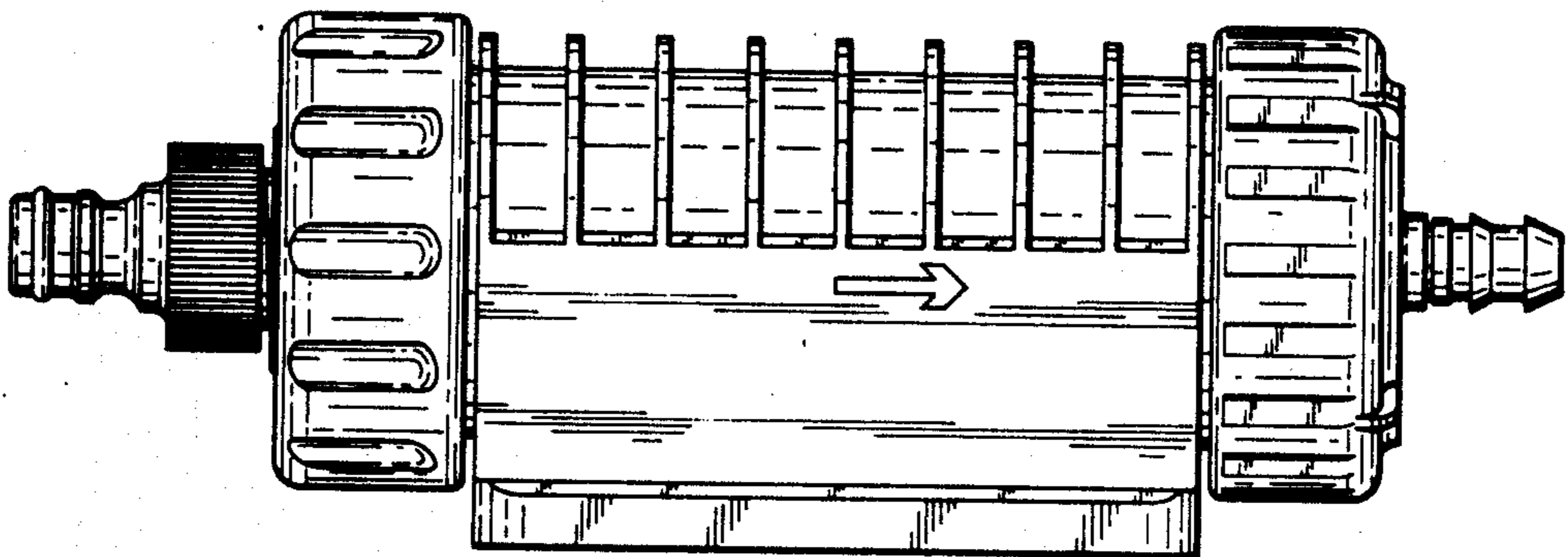


FIG. 4

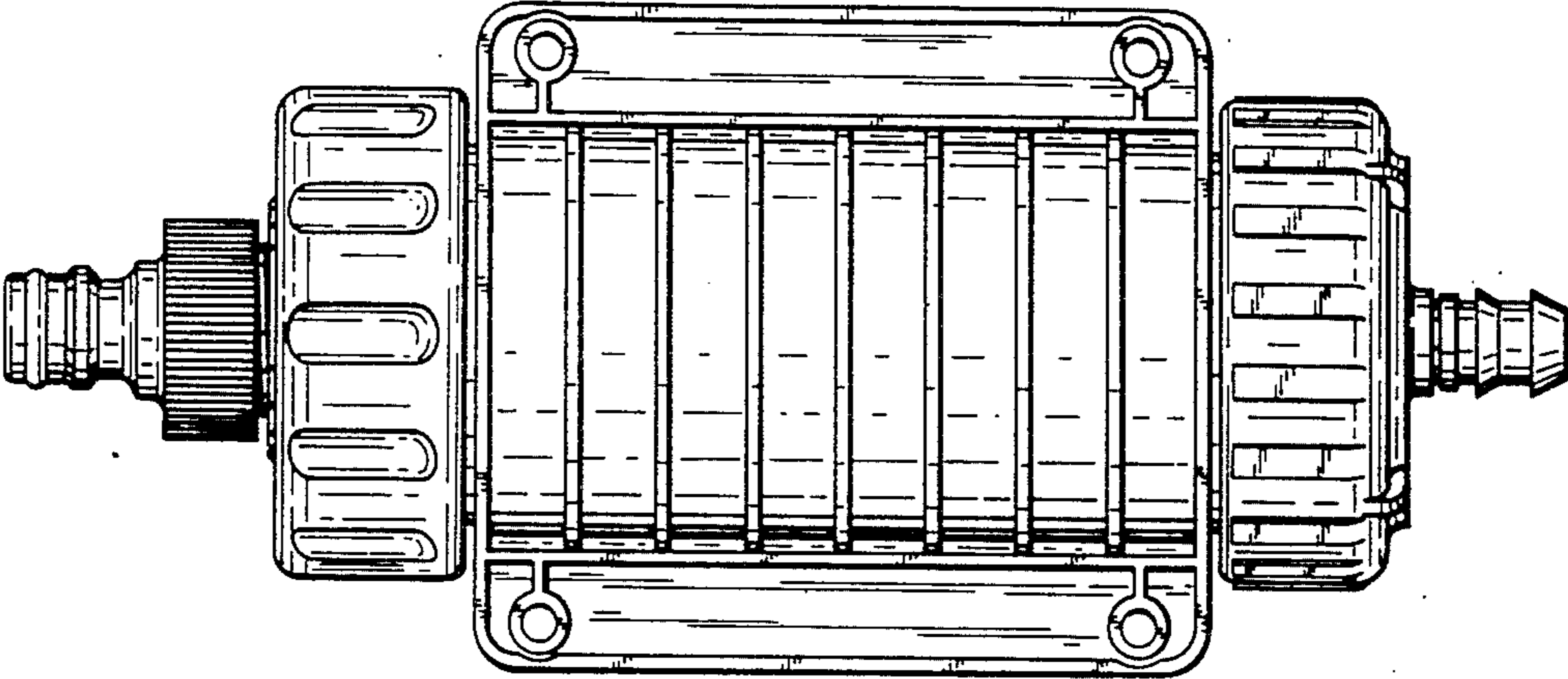


FIG. 5

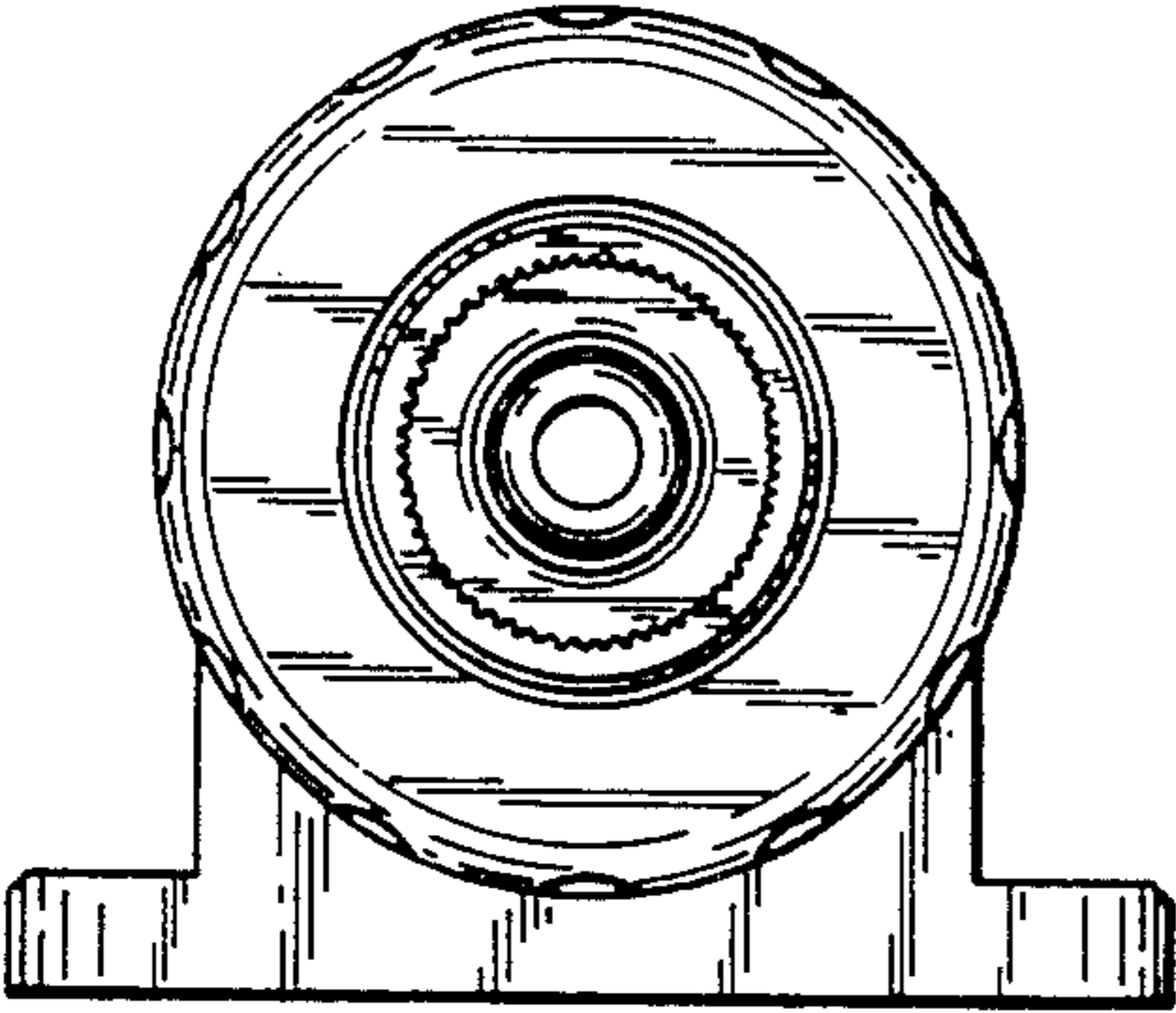


FIG. 6

