

[54] **FISHING REEL**

[75] **Inventors: Takeshi Shohoji; Masakazu Sakamoto, both of Tokyo, Japan**

[73] **Assignee: Ryobi Ltd., Hiroshima, Japan**

[**] **Term: 14 Years**

[21] **Appl. No.: 678,184**

[22] **Filed: Dec. 4, 1984**

[30] **Foreign Application Priority Data**

| | | |
|----------------------|-------|---|
| Jun. 18, 1984 [JP] | Japan | 59-25212 |
| [52] U.S. Cl. | | D22/141 |
| [58] Field of Search | | D22/140, 141; |
| | | 242/84.1 R, 84.1 J, 84.2 R-84.2 J, 84.21 R, 84.21 A |

[56] **References Cited**

U.S. PATENT DOCUMENTS

| | | | | |
|------------|---------|----------------|-------|---------|
| D. 254,091 | 1/1980 | Jansson et al. | | D22/141 |
| D. 270,933 | 10/1983 | Iinuma | | D22/141 |

Primary Examiner—A. Hugo Word
Attorney, Agent, or Firm—Sughrue, Mion, Zinn Macpeak & Seas

[57] **CLAIM**

The ornamental design for a fishing reel, as shown.

DESCRIPTION

FIG. 1 is a front, top and right side perspective view of a fishing reel showing our new design;
 FIG. 2 is a top, rear and left side perspective view thereof;
 FIG. 3 is a right side elevational view thereof;
 FIG. 4 is a left side elevational view thereof;
 FIG. 5 is a front elevational view thereof;
 FIG. 6 is a rear elevational view thereof;
 FIG. 7 is a top plan view thereof; and
 FIG. 8 is a bottom plan view thereof.

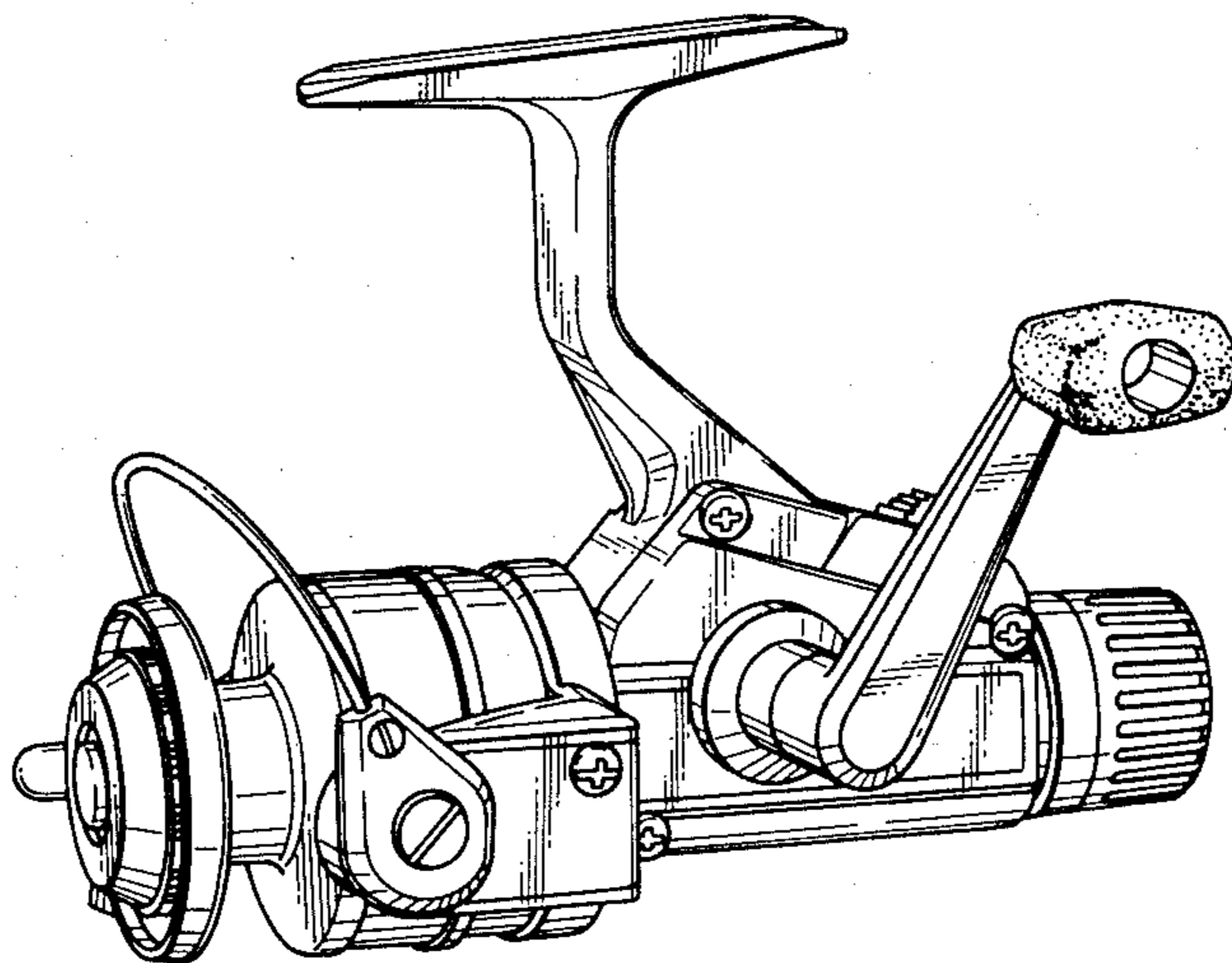


Fig. 1

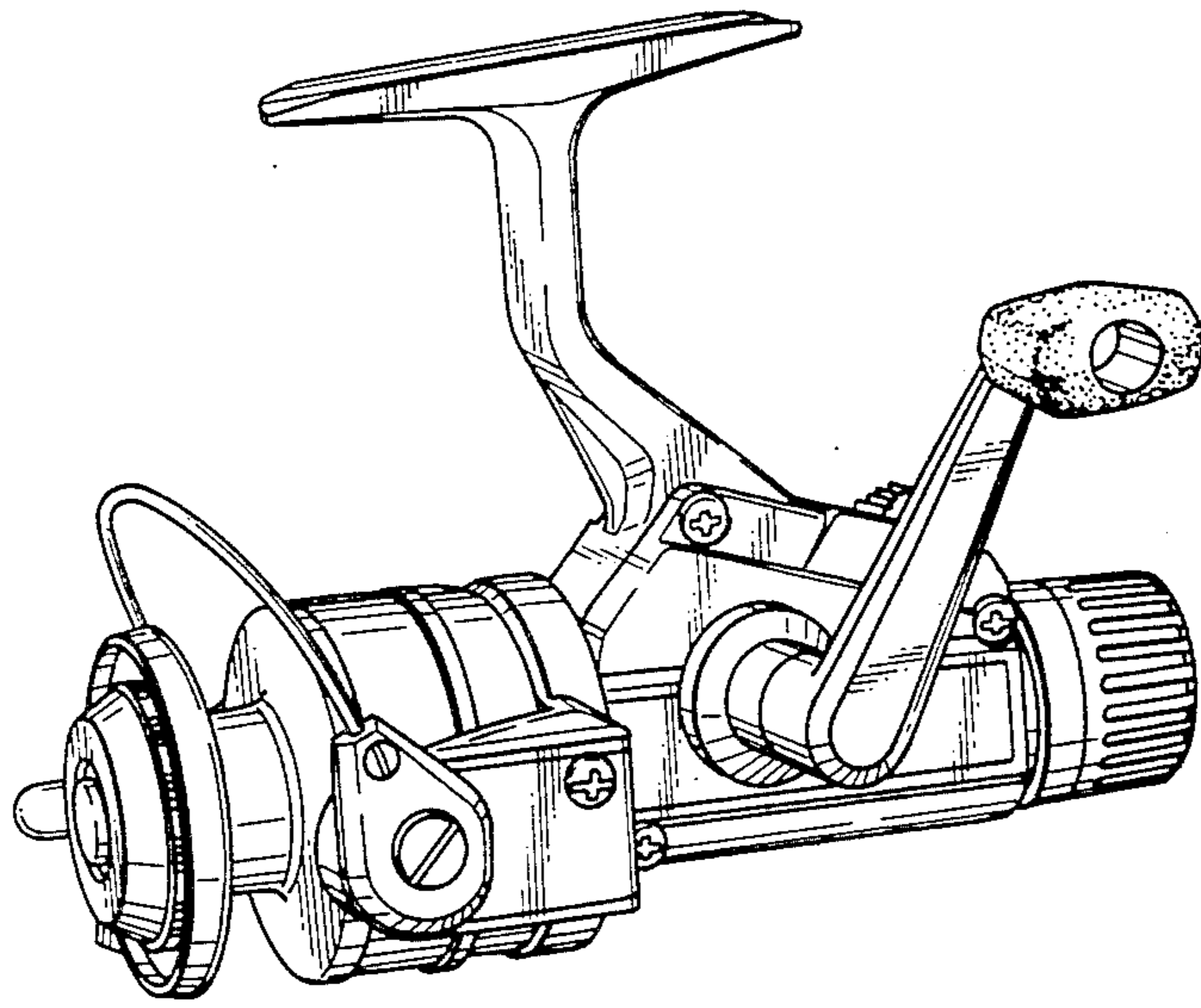


Fig. 2

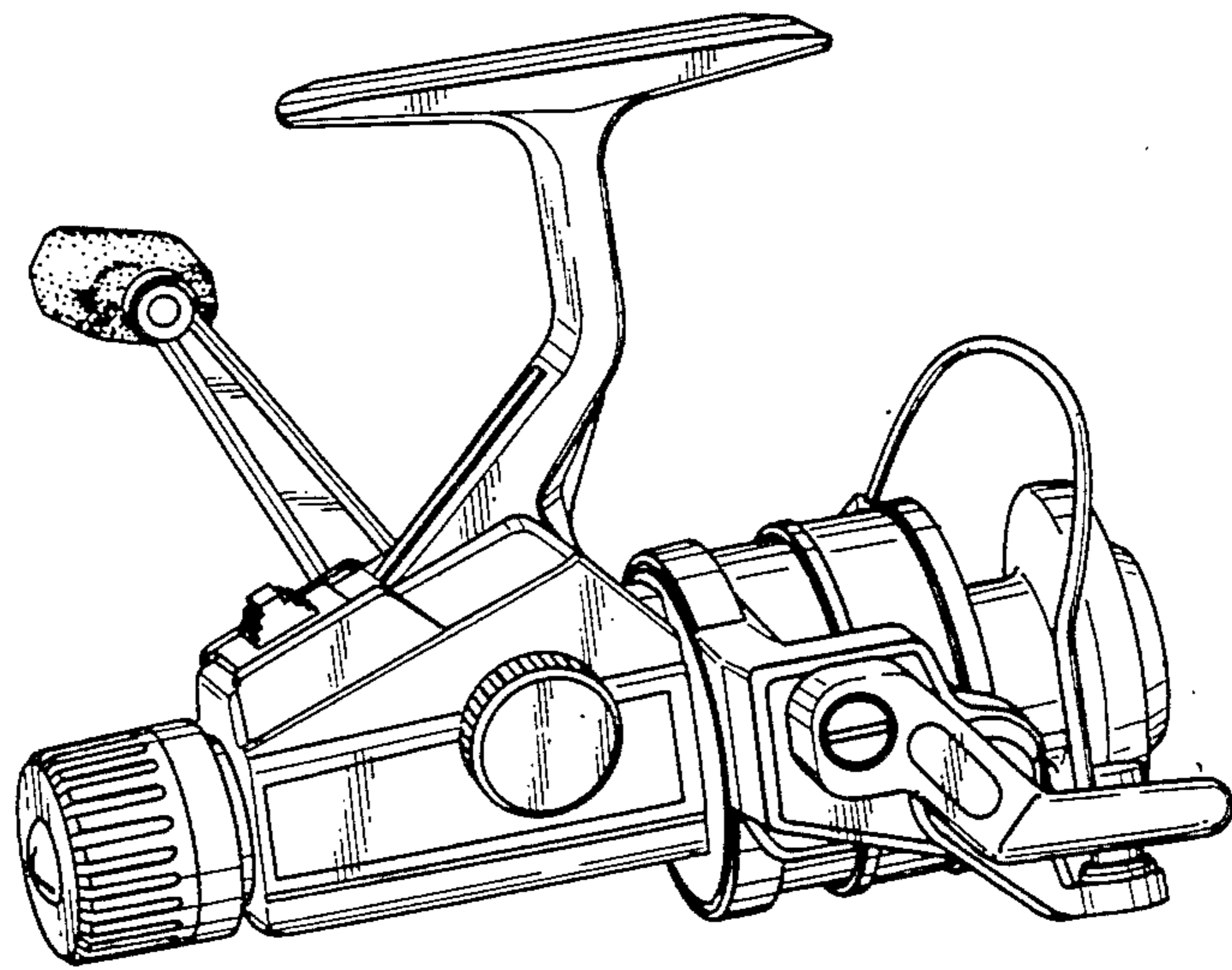


Fig. 3

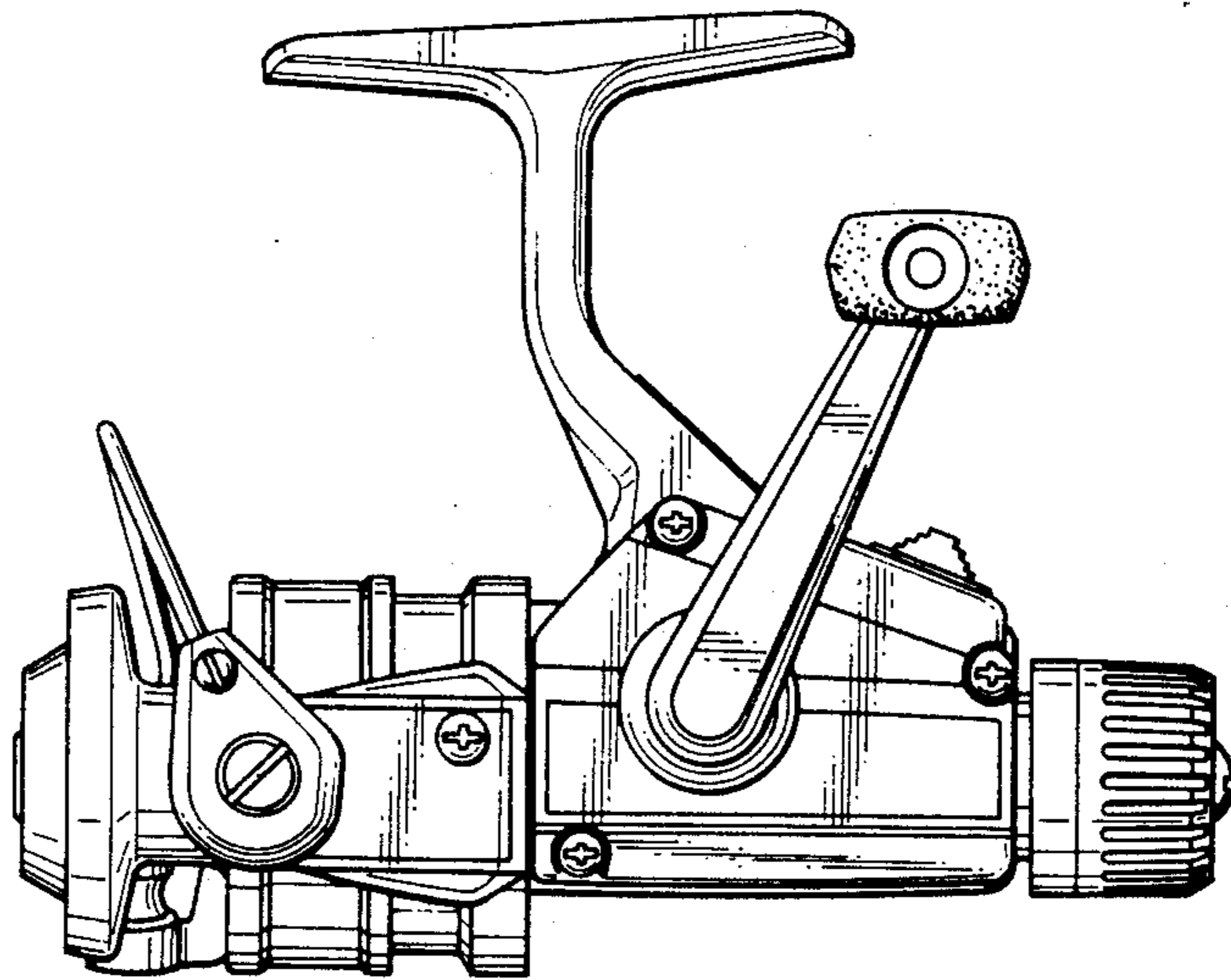


Fig. 4

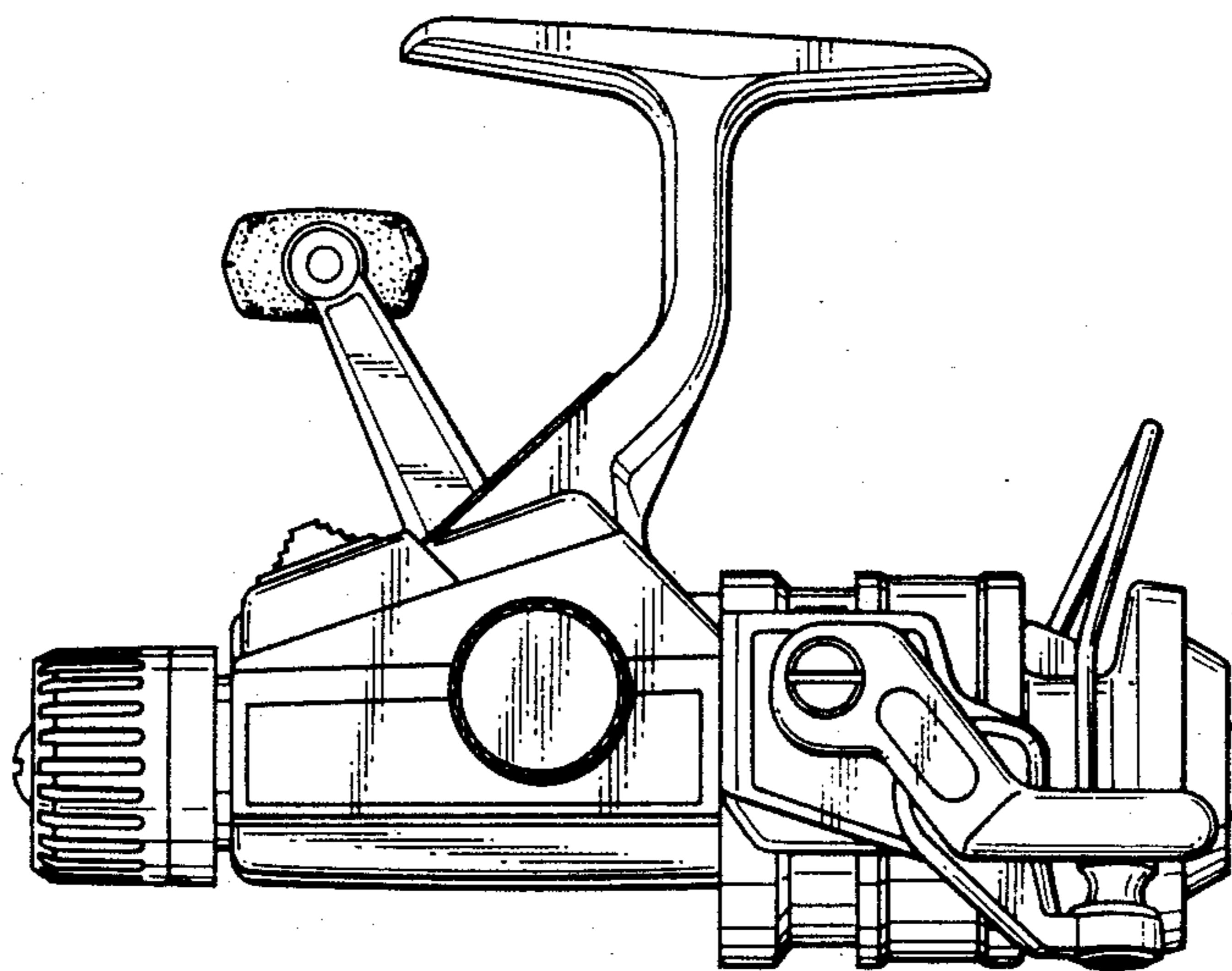


Fig. 5

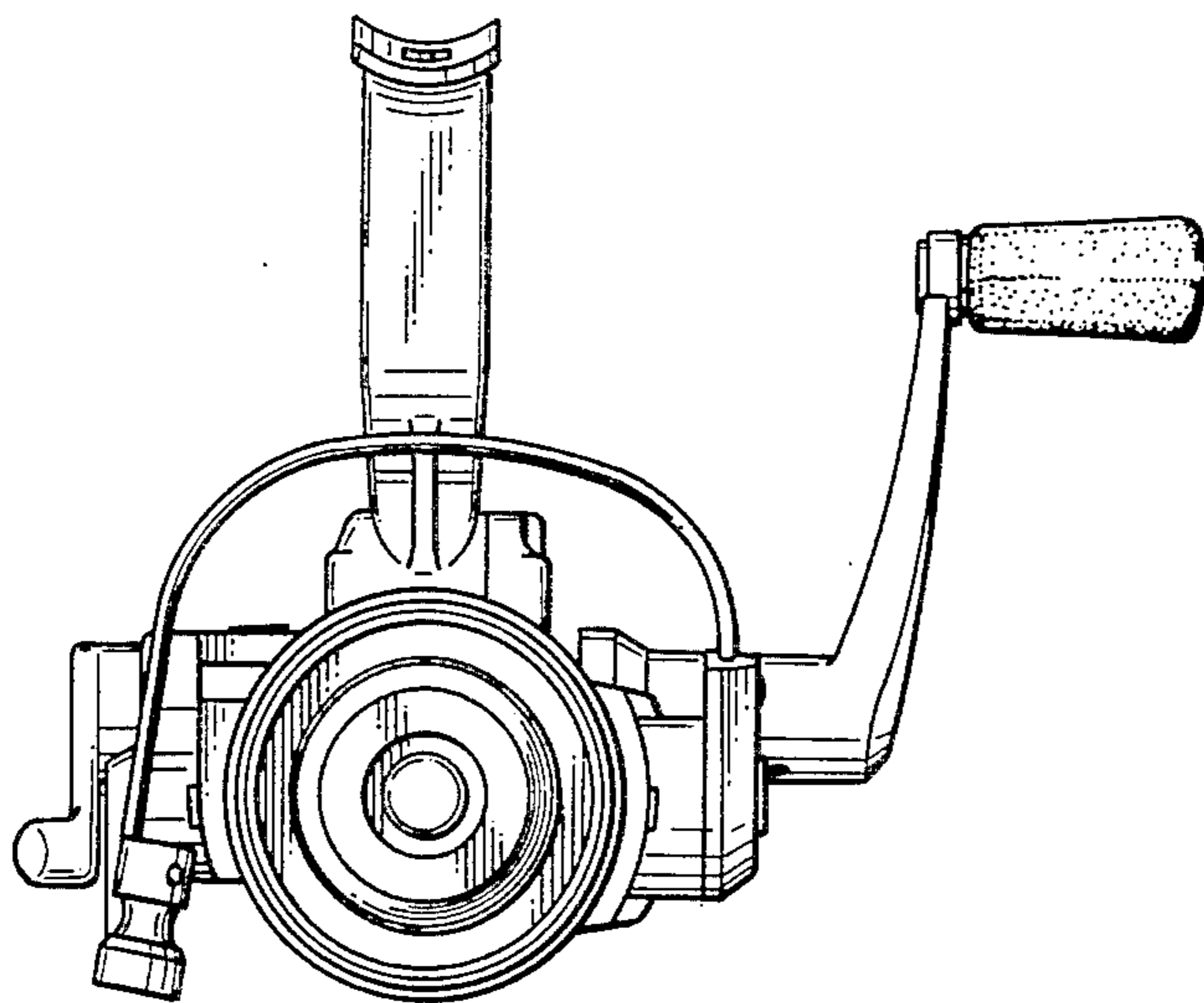


Fig. 6

