

[54] FISHING REEL

D. 270,933 10/1983 Inuma D22/141

[75] Inventor: Seiji Myojo, Sakai, Japan

OTHER PUBLICATIONS

[73] Assignee: Shimano Industrial Company Limited, Osaka, Japan

Best (catalog) 1981/82.

[**] Term: 14 Years

Primary Examiner—A. Hugo Word
Attorney, Agent, or Firm—Stevens, Davis, Miller & Mosher

[21] Appl. No.: 661,960

[22] Filed: Oct. 17, 1984

[57] CLAIM

The ornamental design for a fishing reel, as shown.

[30] Foreign Application Priority Data

DESCRIPTION

Apr. 24, 1984 [JP] Japan 59-16685

[52] U.S. Cl. D22/141

[58] Field of Search D22/140, 141;
242/84.1 R, 84.1 J, 84.2 R-84.2 J, 84.21 R,
84.21 A

FIG. 1 is a front view of a fishing reel showing my new design;

FIG. 2 is a rear view thereof;

FIG. 3 is a bottom view thereof;

FIG. 4 is a right-side and front perspective view thereof;

FIG. 5 is a front and bottom perspective view thereof; and

FIG. 6 is a left-side and front perspective view thereof.

[56] References Cited

U.S. PATENT DOCUMENTS

D. 254,091 1/1980 Jansson et al. D22/141

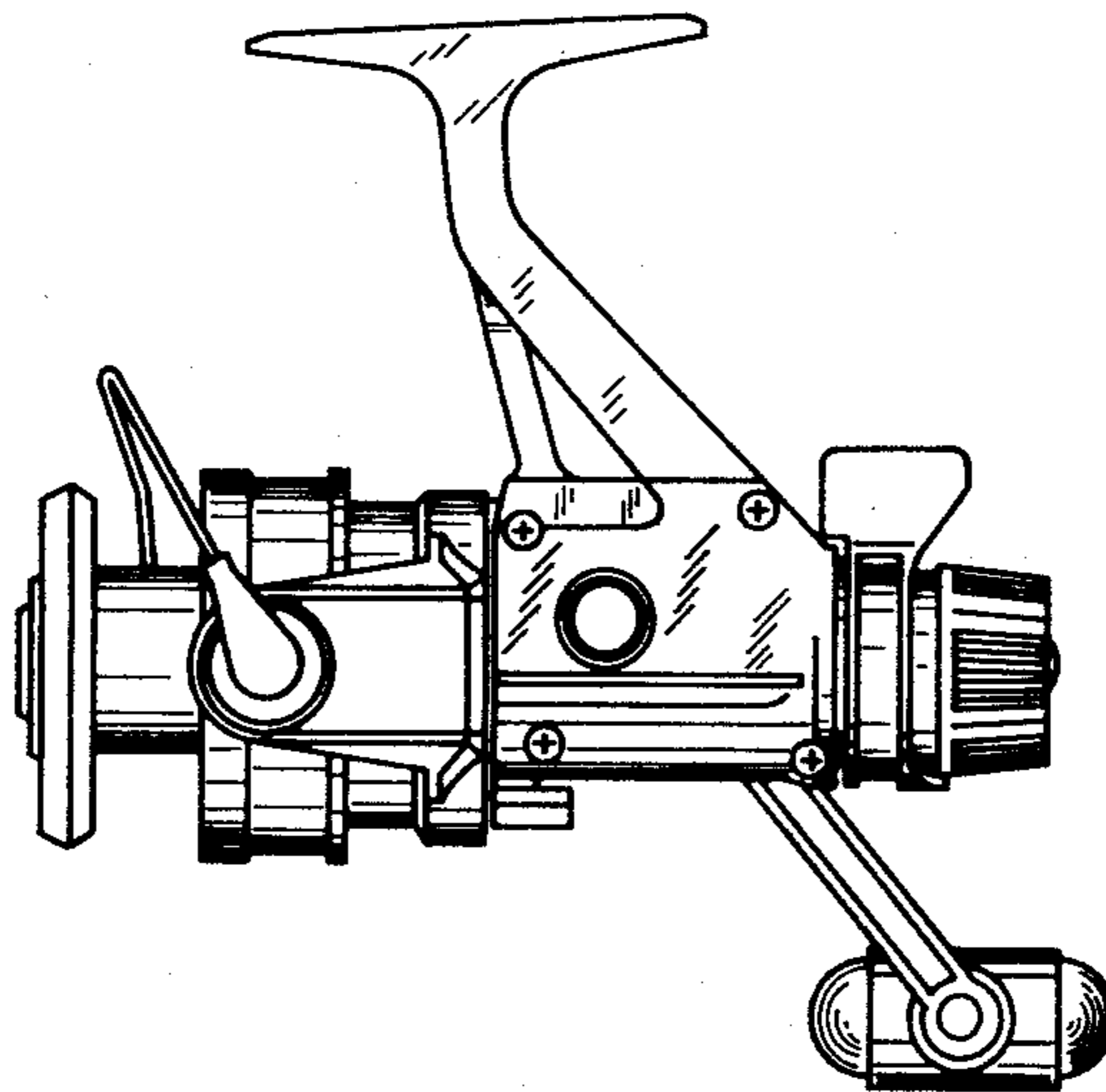


FIG. 1

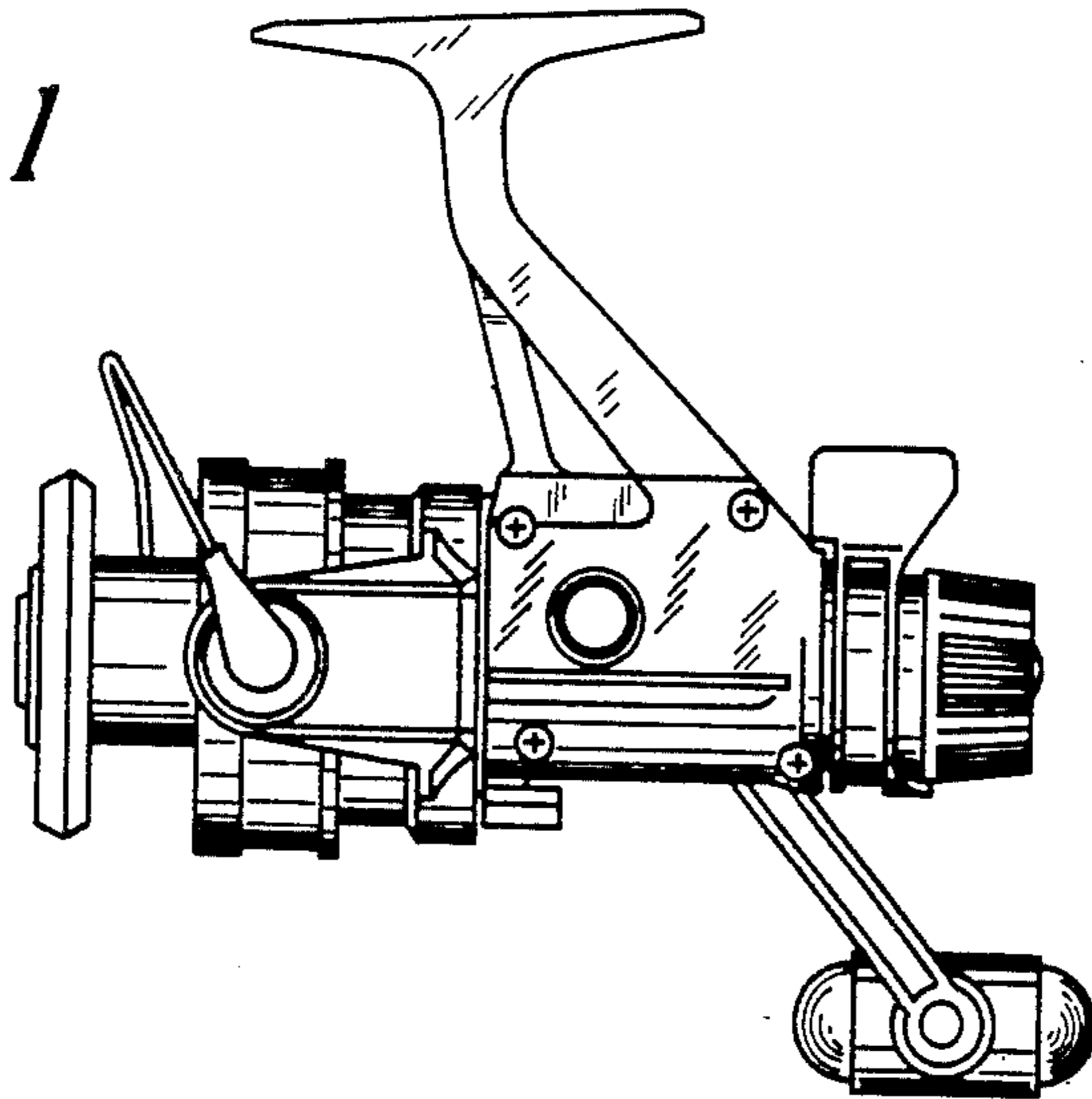


FIG. 2

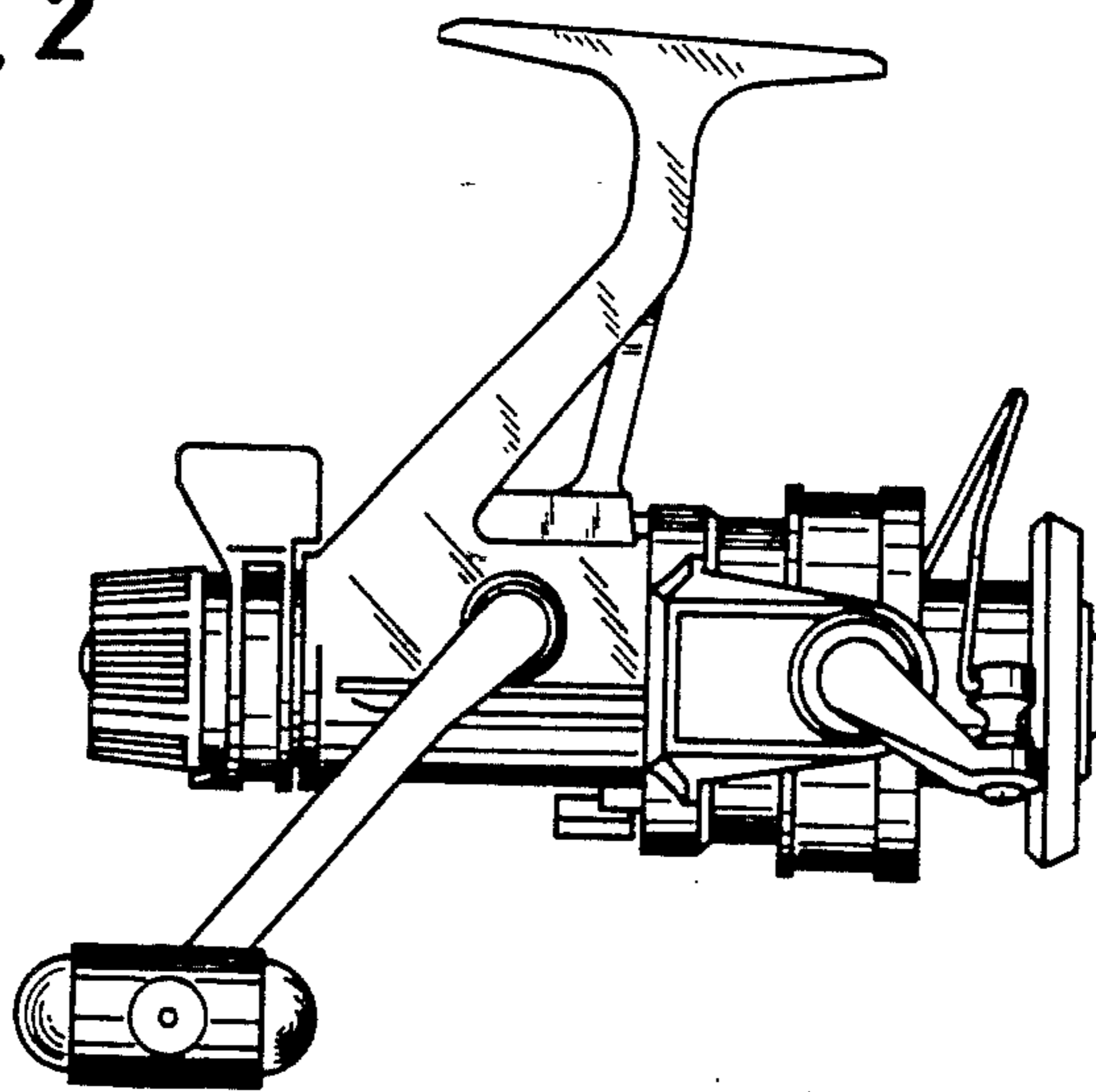


FIG. 3

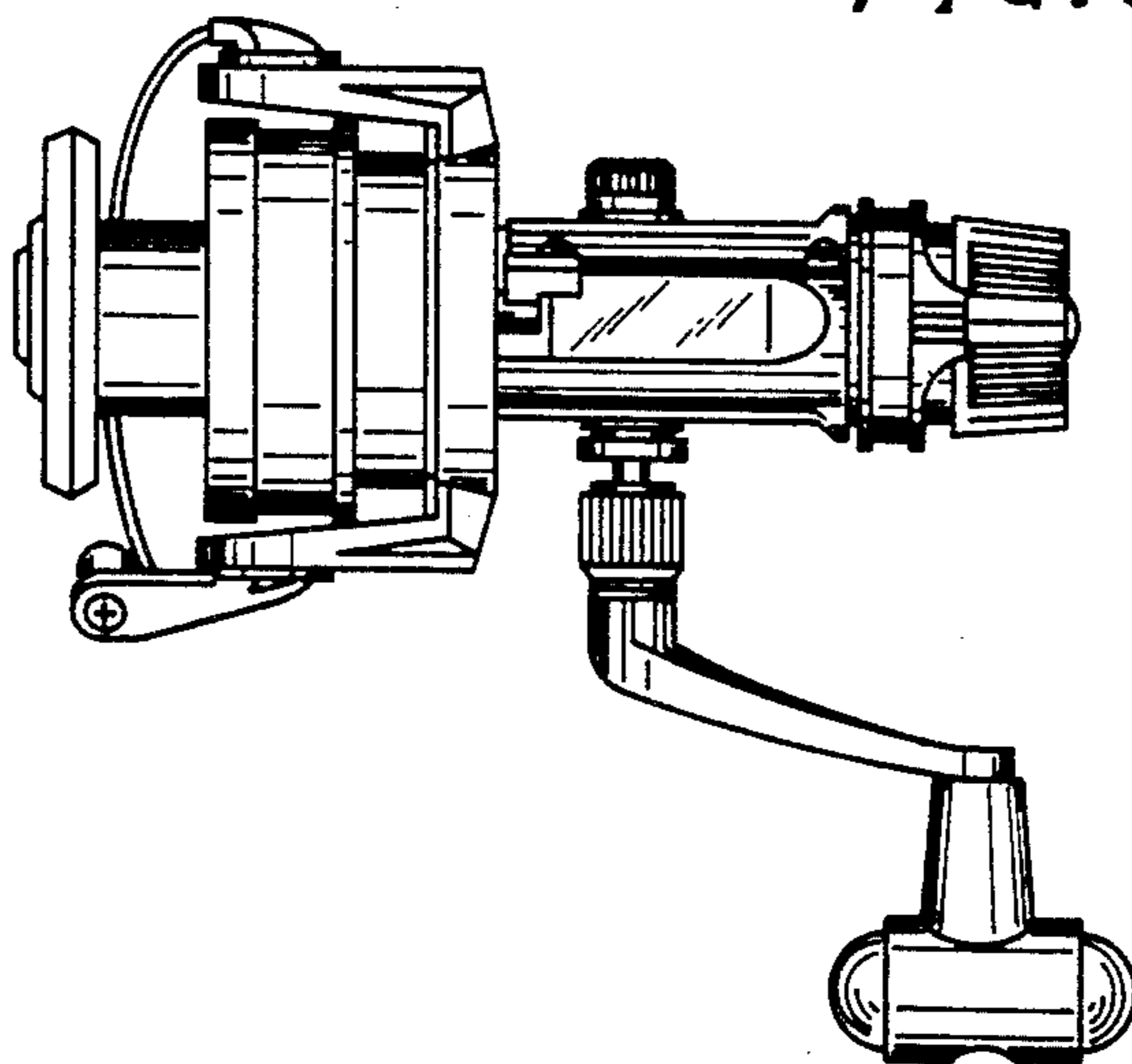


FIG. 4

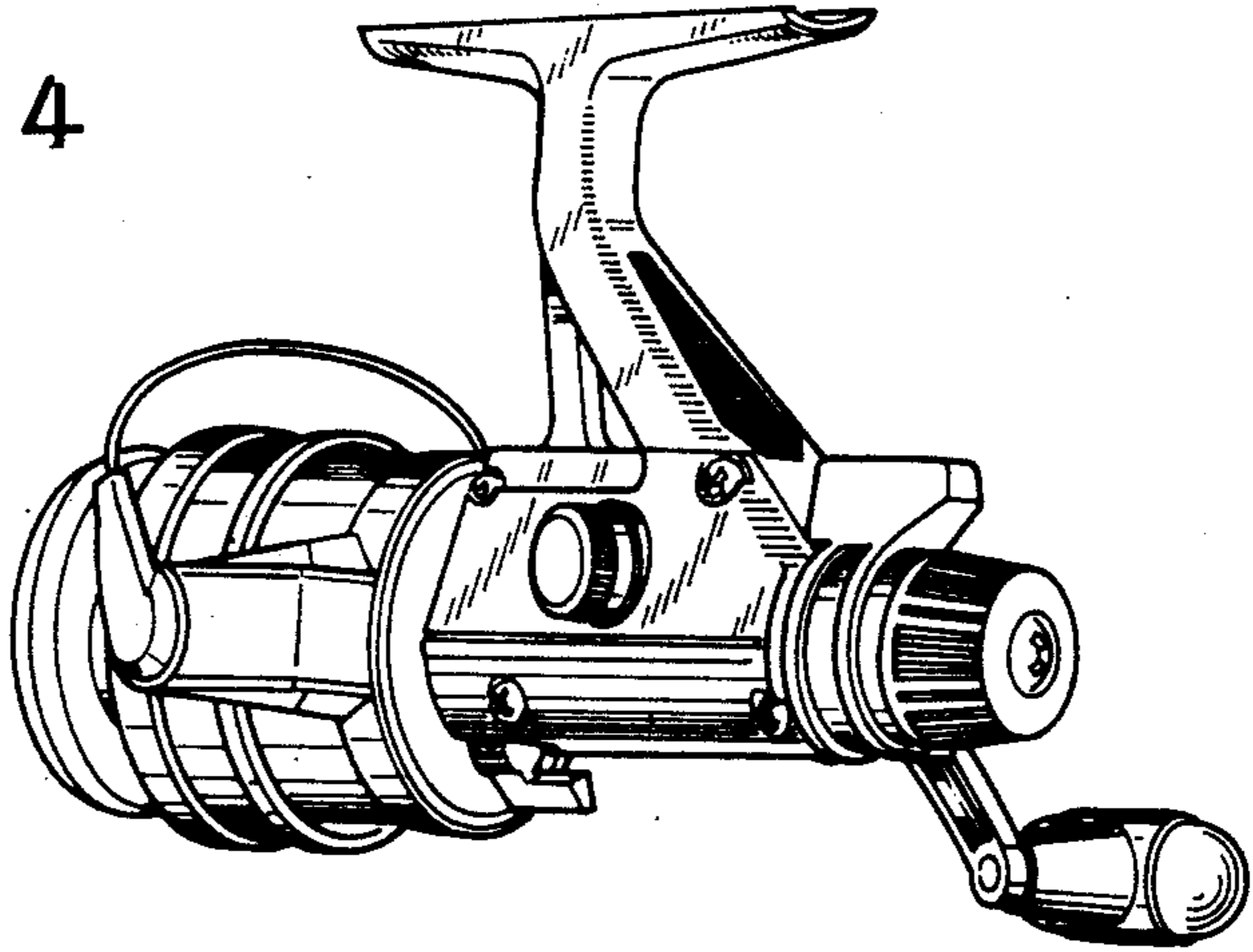


FIG. 5

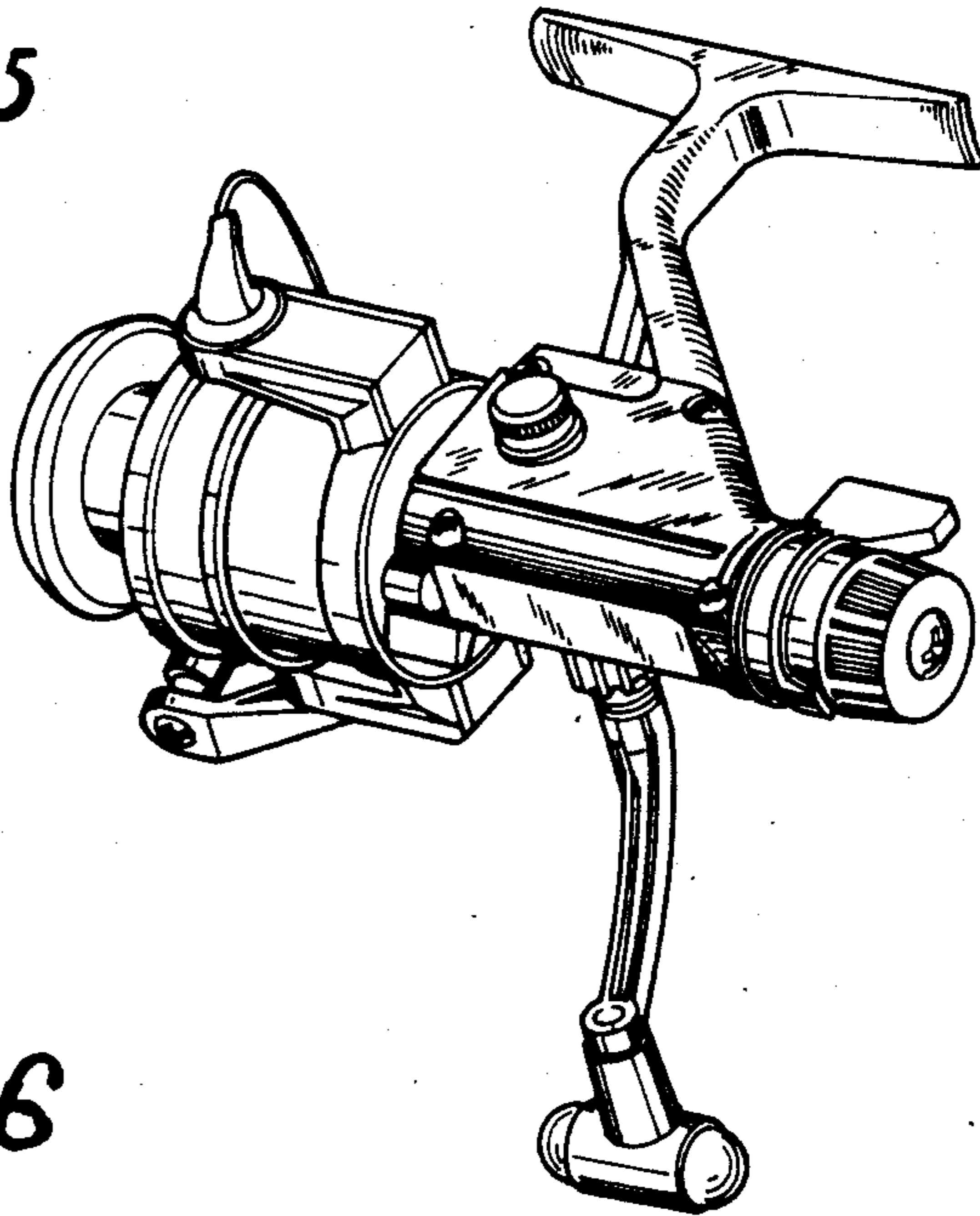


FIG. 6

