

[54] **FISHING REEL**

[75] **Inventor: Richard J. Robbins, Derby, Kans.**
[73] **Assignee: Brunswick Corporation, Skokie, Ill.**
[**] **Term: 14 Years**
[21] **Appl. No.: 635,447**

[22] **Filed: Jul. 30, 1984**
[52] **U.S. Cl. D22/141**
[58] **Field of Search D22/141; 242/84.1 R,
242/84.2 R, 84.2 A**

[56] **References Cited**
U.S. PATENT DOCUMENTS

D. 226,850 5/1973 Hull D22/141
4,261,528 4/1981 McKinney D22/141 X
4,331,303 5/1982 Moss D22/141 X

4,415,129 11/1983 Neufeld D22/141 X

Primary Examiner—A. Hugo Word
*Attorney, Agent, or Firm—Wood, Dalton, Phillips,
Mason & Rowe*

[57] **CLAIM**

The ornamental design of a fishing reel, as shown and described.

DESCRIPTION

FIG. 1 is a perspective view of a front and side portion including a crank handle of the fishing reel showing my new design;
FIG. 2 is a front elevation view thereof;
FIG. 3 is a side elevation view thereof;
FIG. 4 is a back elevation view thereof;
FIG. 5 is a top plan view thereof;
FIG. 6 is a side elevation thereof; and
FIG. 7 is a bottom plan view thereof.

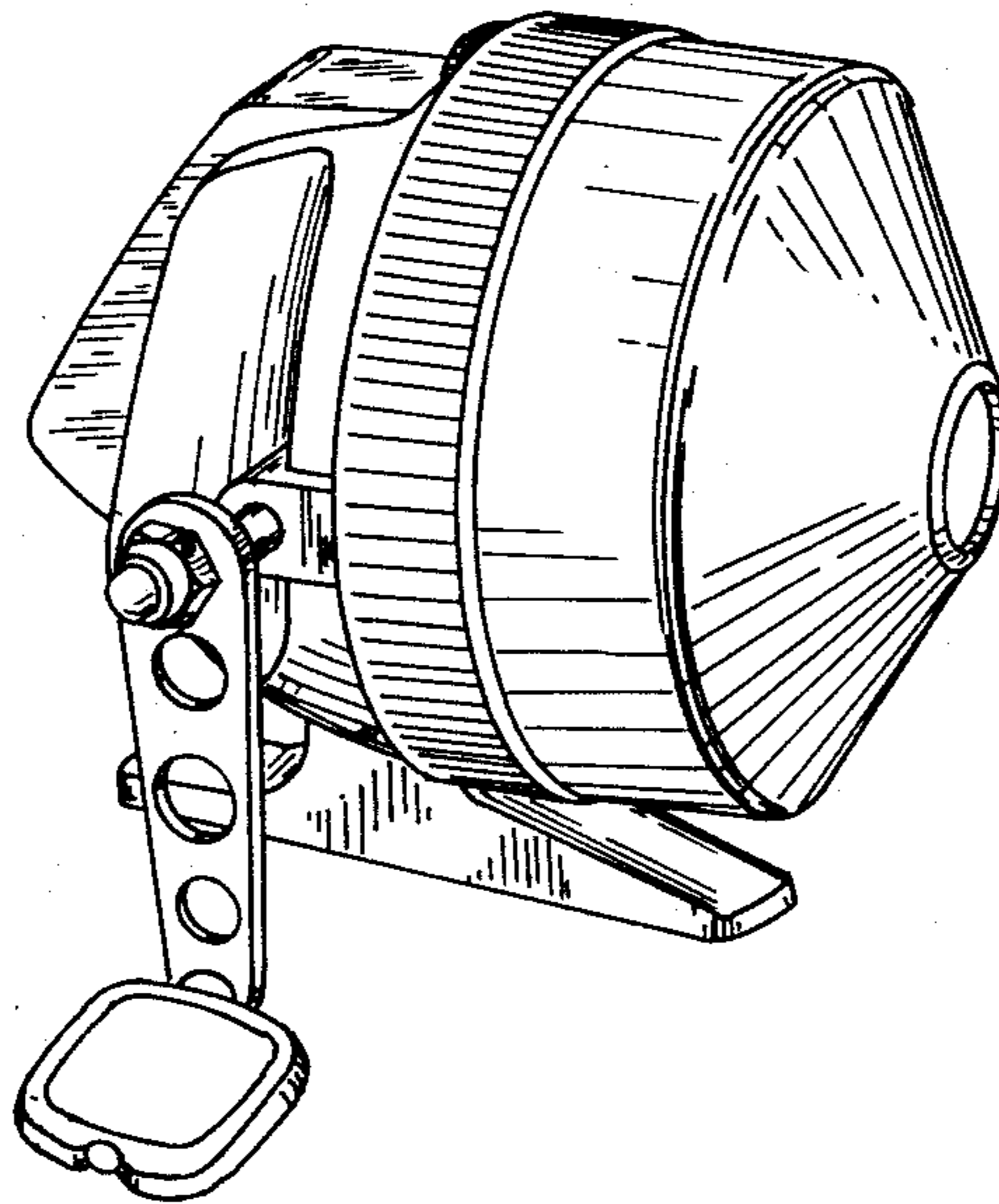


FIG. 1

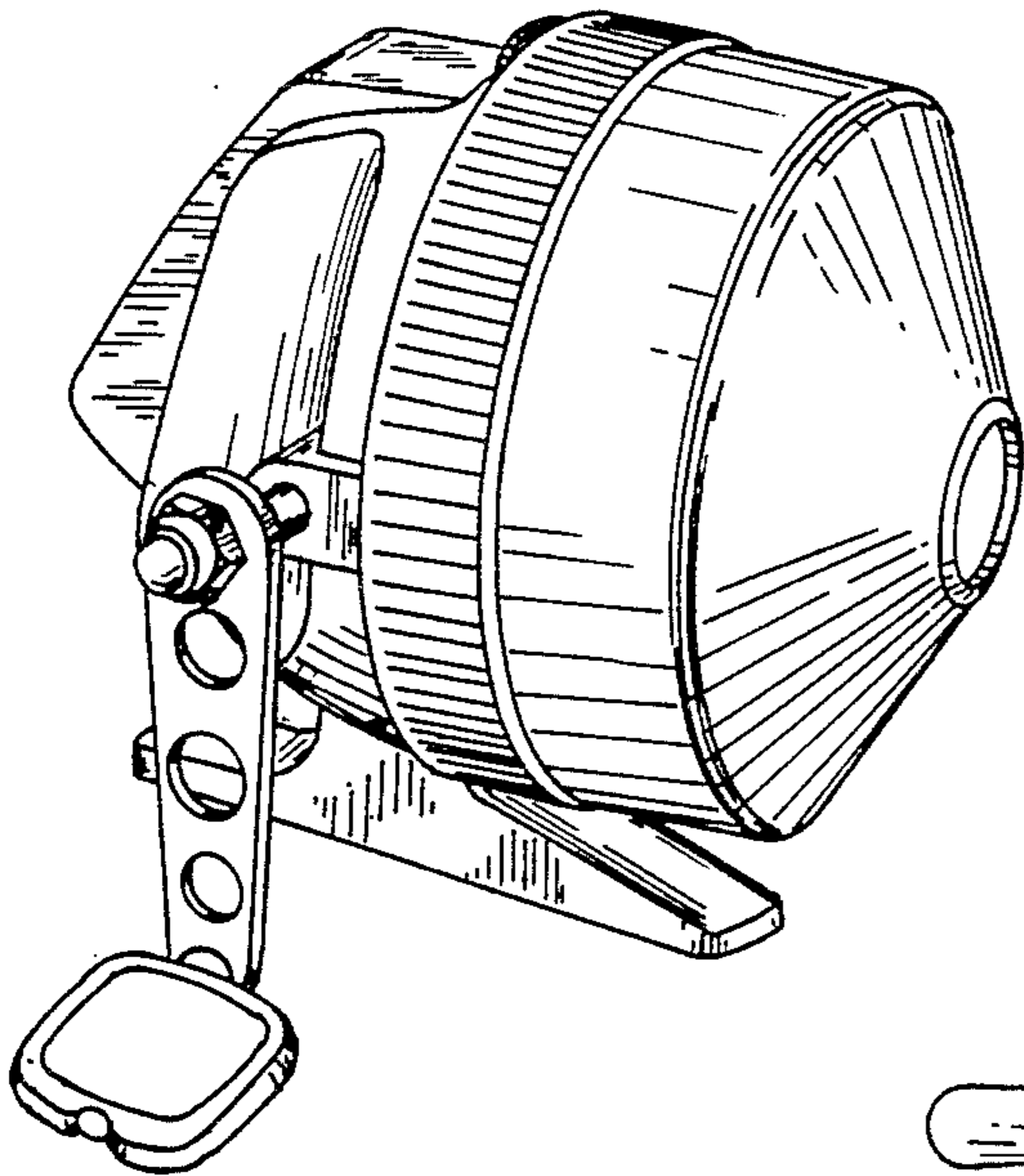


FIG. 2

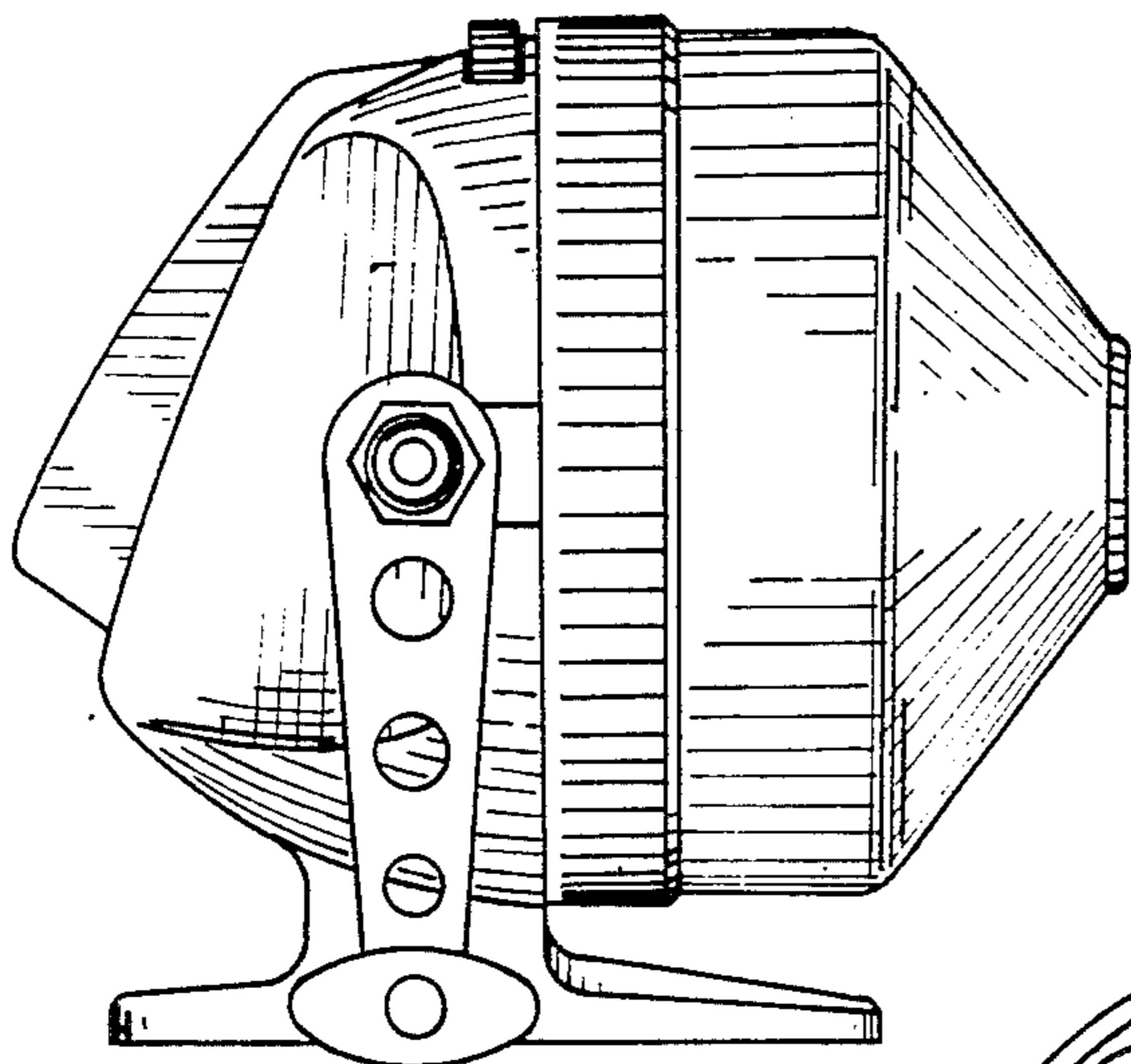
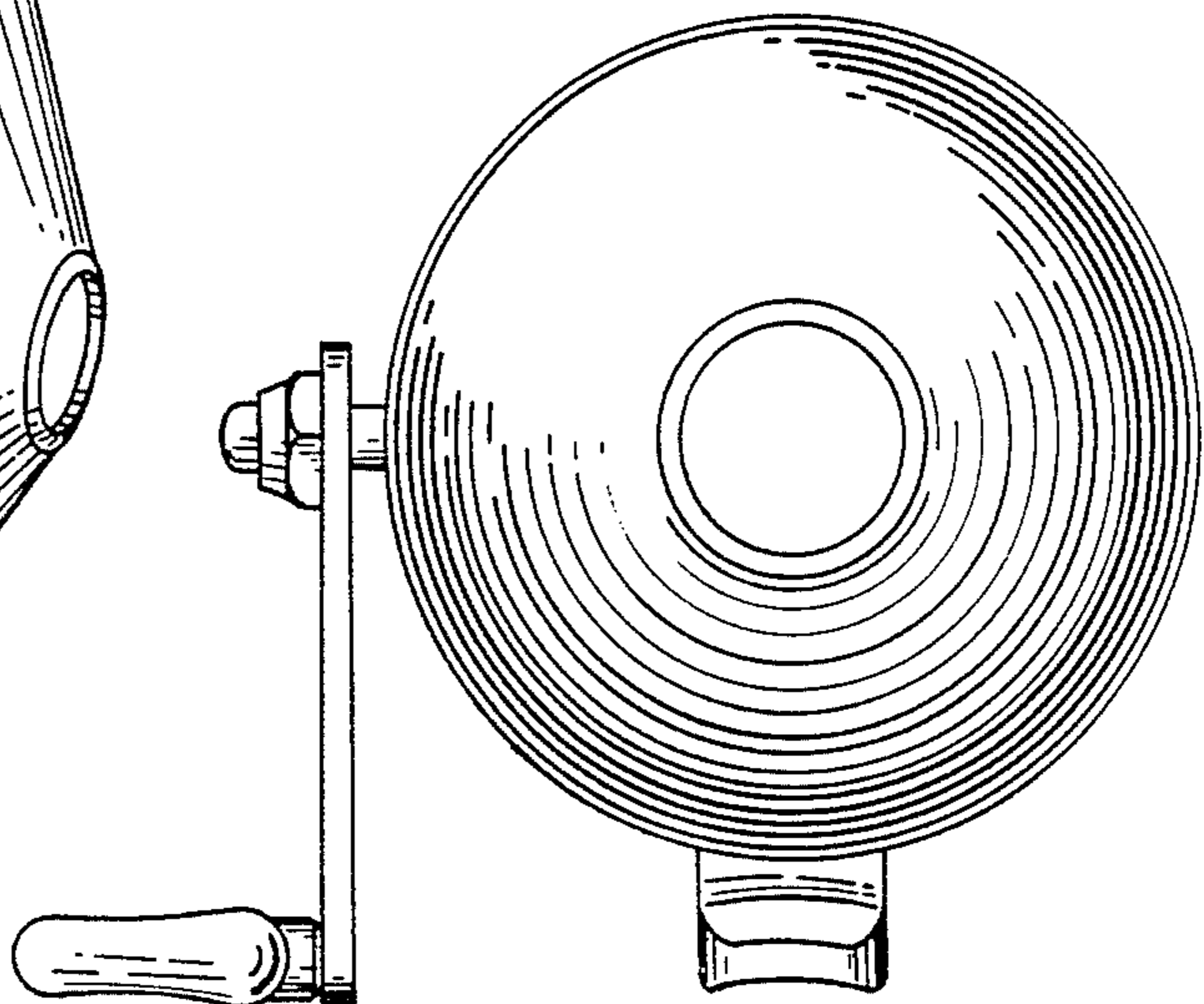
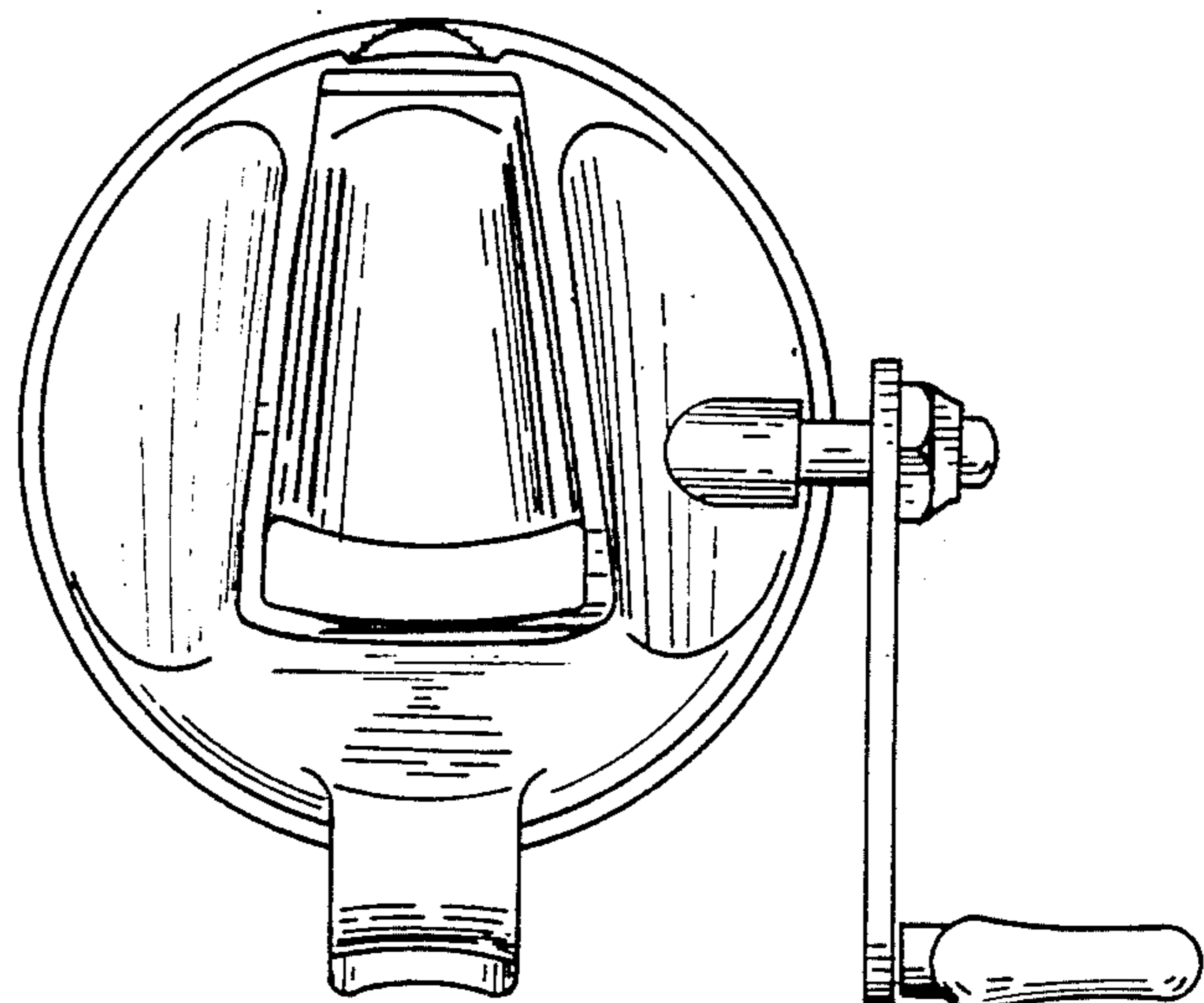


FIG. 3

FIG. 4



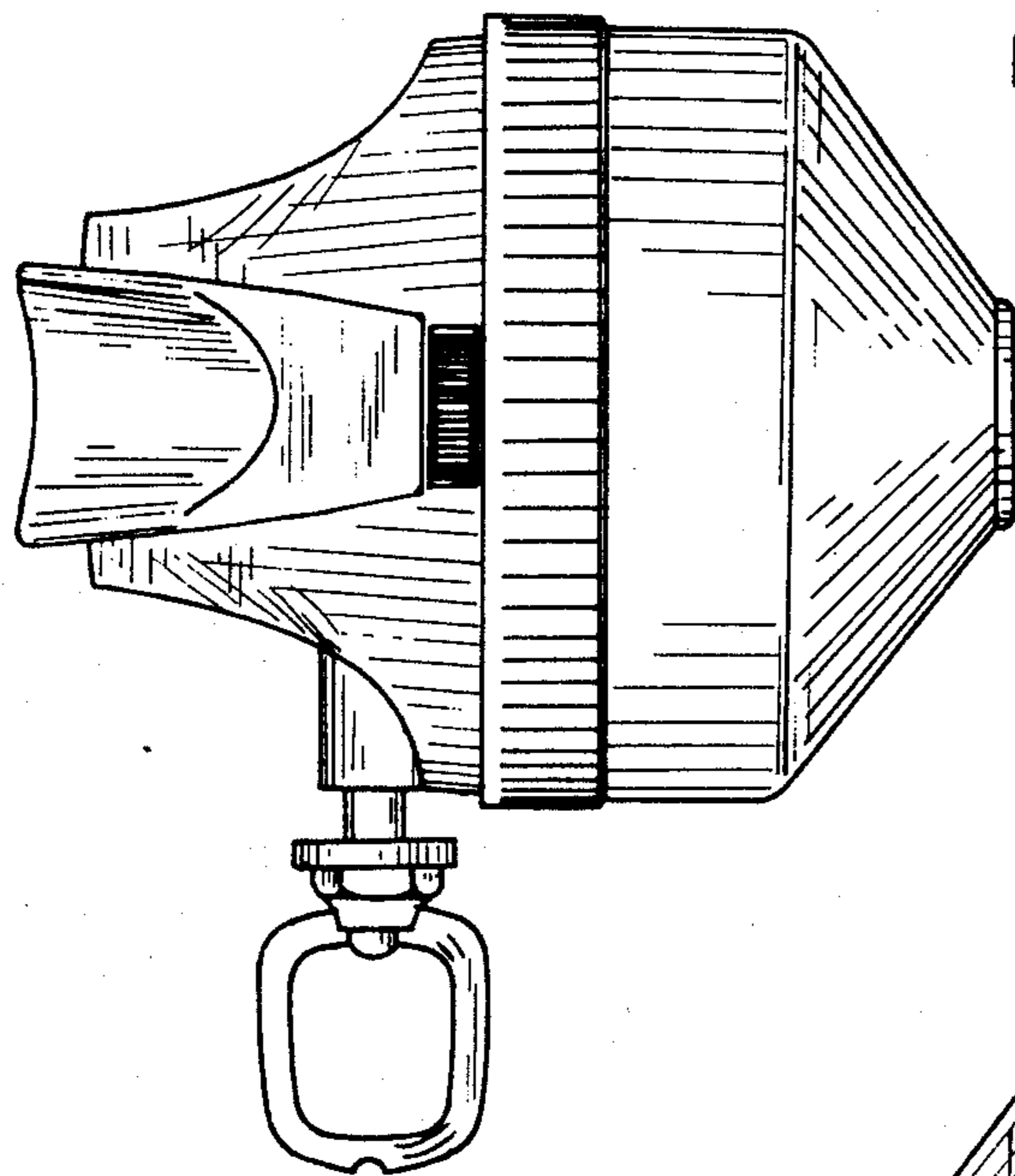


FIG. 5

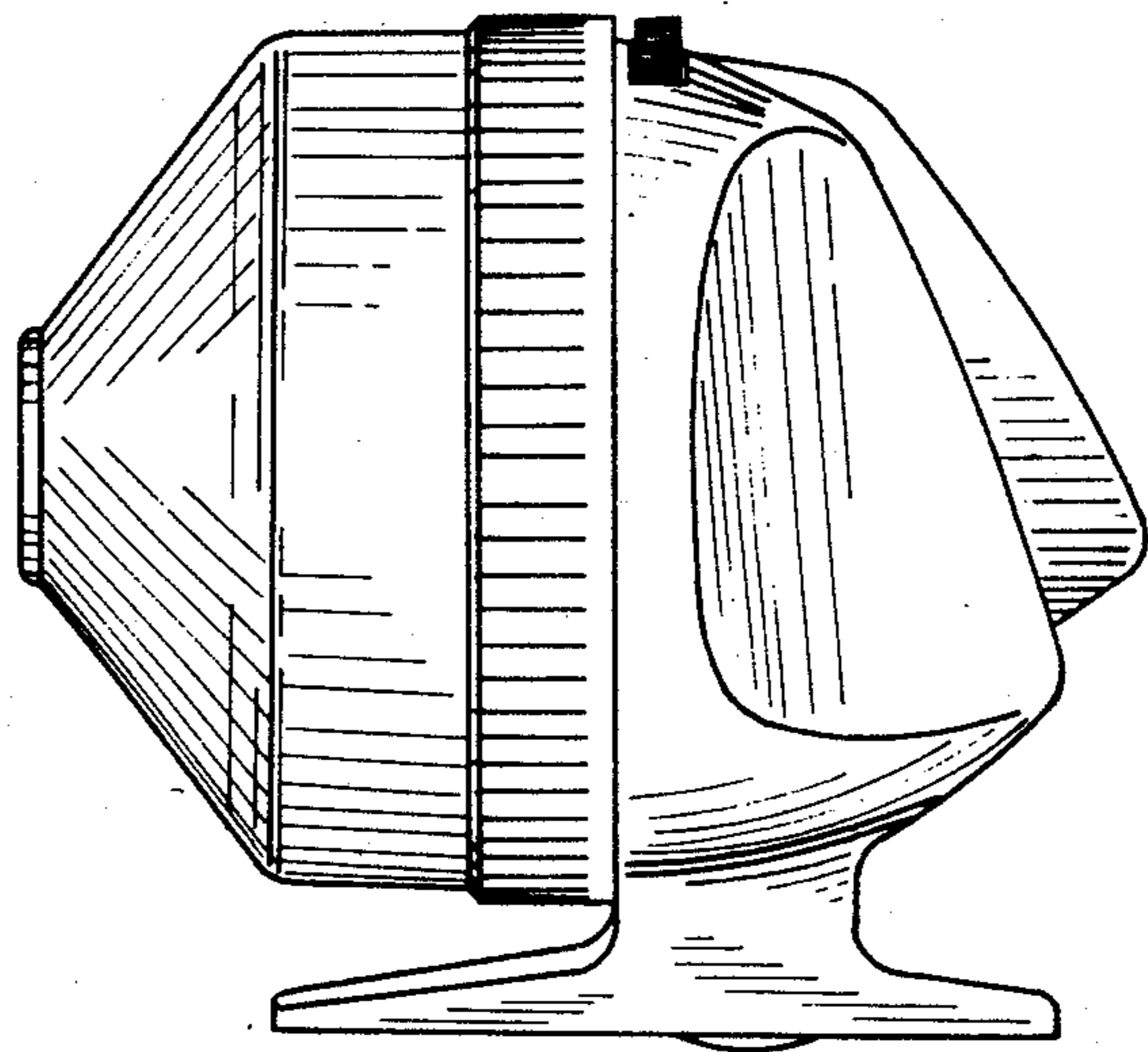


FIG. 6

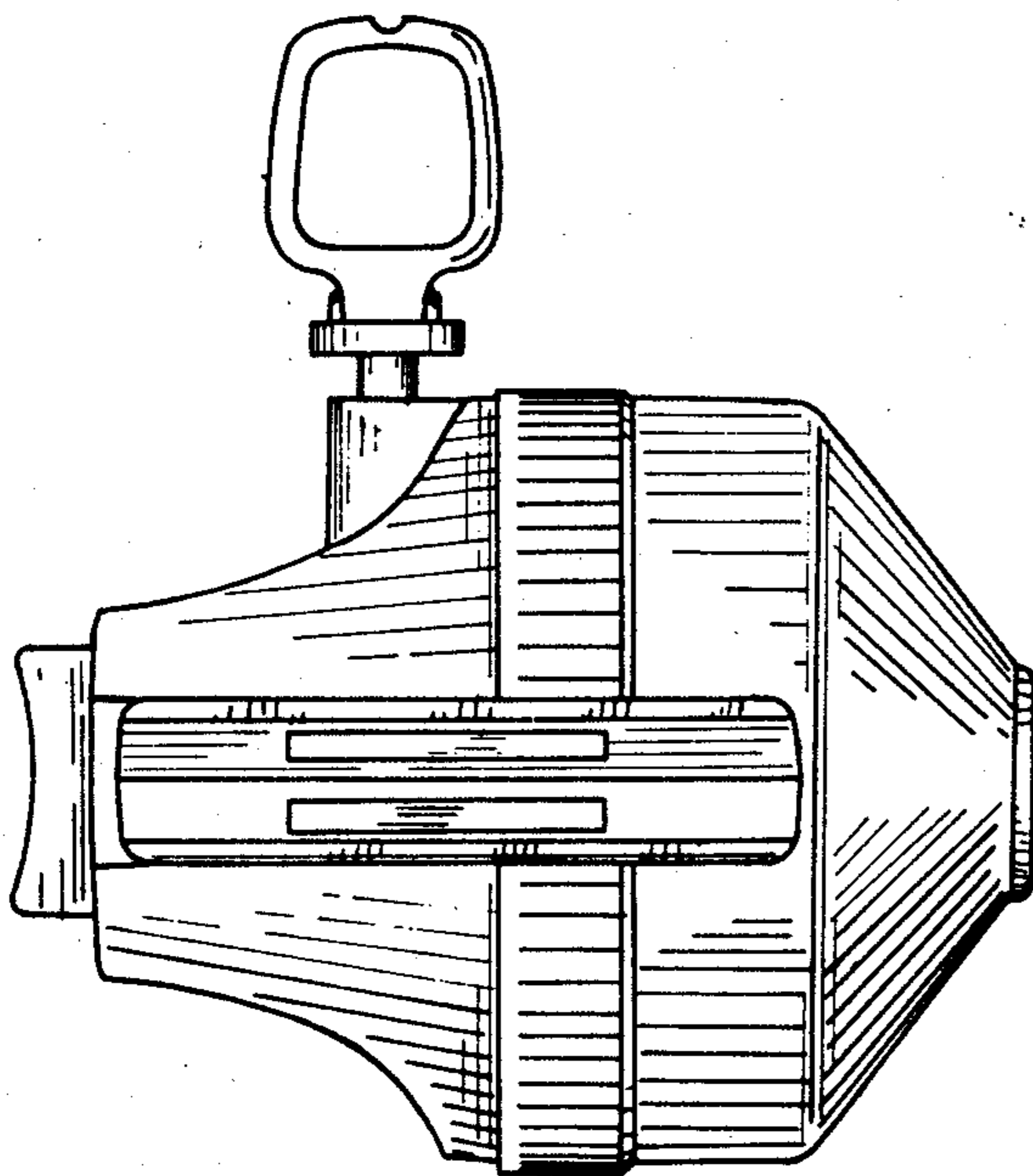


FIG. 7