

[54] GOLF CLUB HEAD

[76] Inventor: Anthony J. Antonious, 205 E. Joppa Rd., Towson, Md. 21204

[**] Term: 14 Years

[21] Appl. No.: 653,534

[22] Filed: Sep. 24, 1984

[52] U.S. Cl. D21/219

[58] Field of Search D21/217-219; 273/167-175, 163 R, 164, 77 R, 78

[56] References Cited

U.S. PATENT DOCUMENTS

D. 217,873	6/1970	Steele	D21/217
D. 240,749	7/1976	Benson	D21/219
D. 282,555	2/1986	Shearer	D21/217
4,136,877	1/1979	Antonius	273/164

OTHER PUBLICATIONS

Golf World, Dec. 10, 1965, p. 13, Ping Golf Clubs.

Primary Examiner—Melvin B. Feifer
Attorney, Agent, or Firm—N. J. Aquilino

[57] CLAIM

The ornamental design for a golf club head, as shown and described.

DESCRIPTION

FIG. 1 is a perspective view of the golf club head showing my new design.

FIG. 2 is a rear elevational view thereof.

FIG. 3 is an end elevational view thereof.

FIG. 4 is a top plan view thereof.

FIG. 5 is an end elevational view taken from the opposite side of FIG. 3.

FIG. 6 is a bottom view thereof.

FIG. 7 is a front elevational view thereof.

The broken line showing of a shaft portion in FIGS. 2 and 7 is for illustrative purposes only.

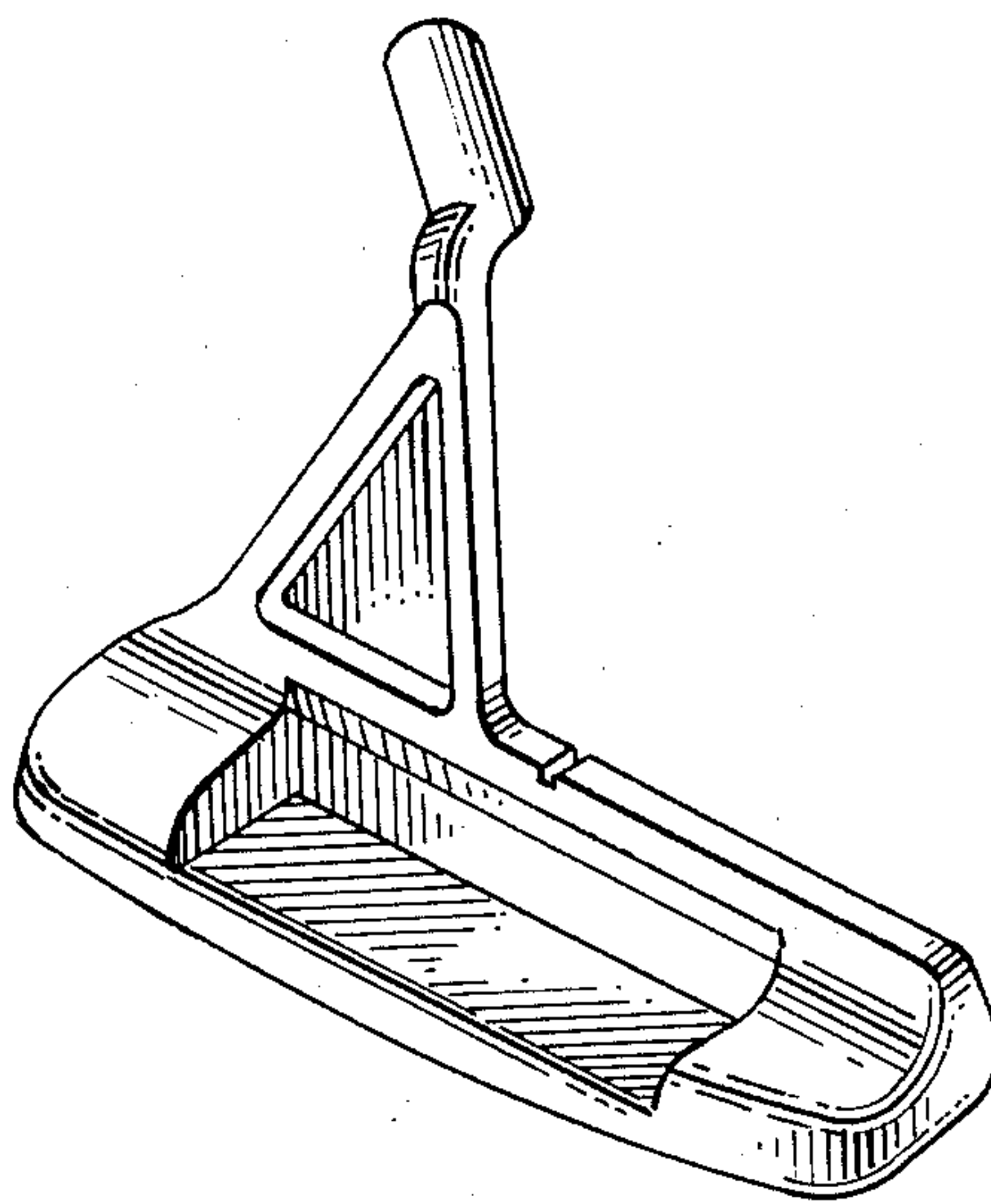


FIG. 1.

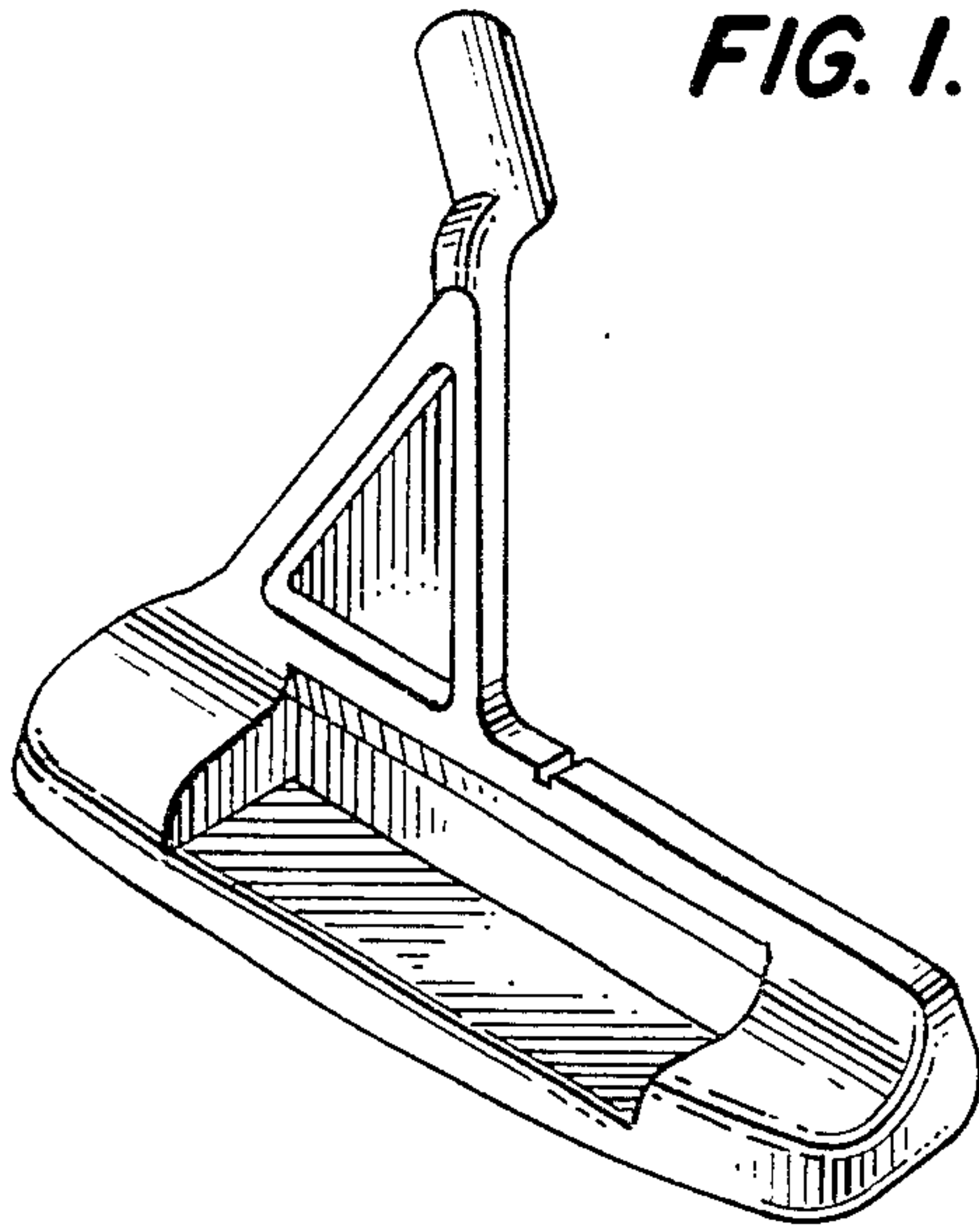


FIG. 2.

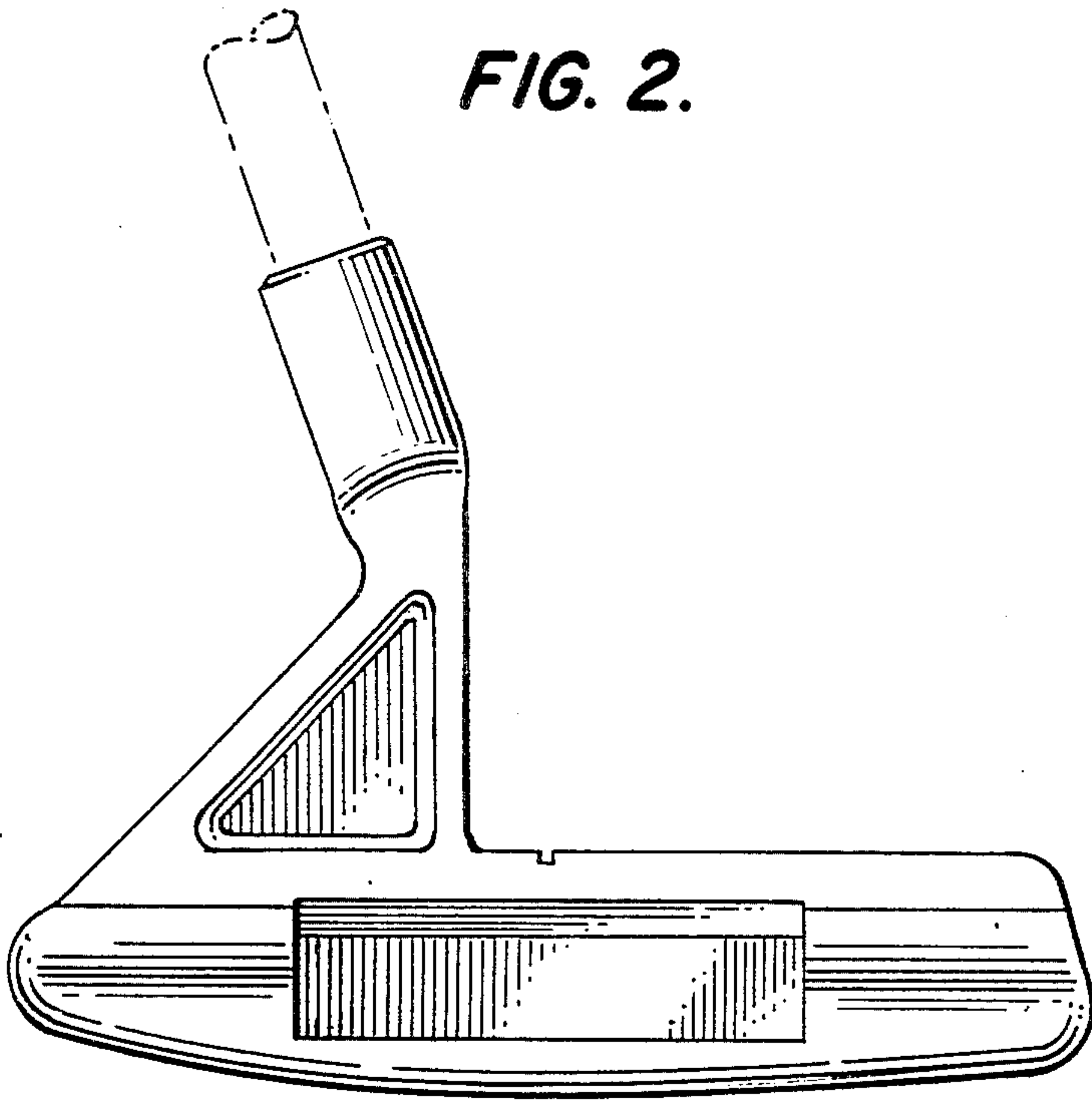


FIG. 3.

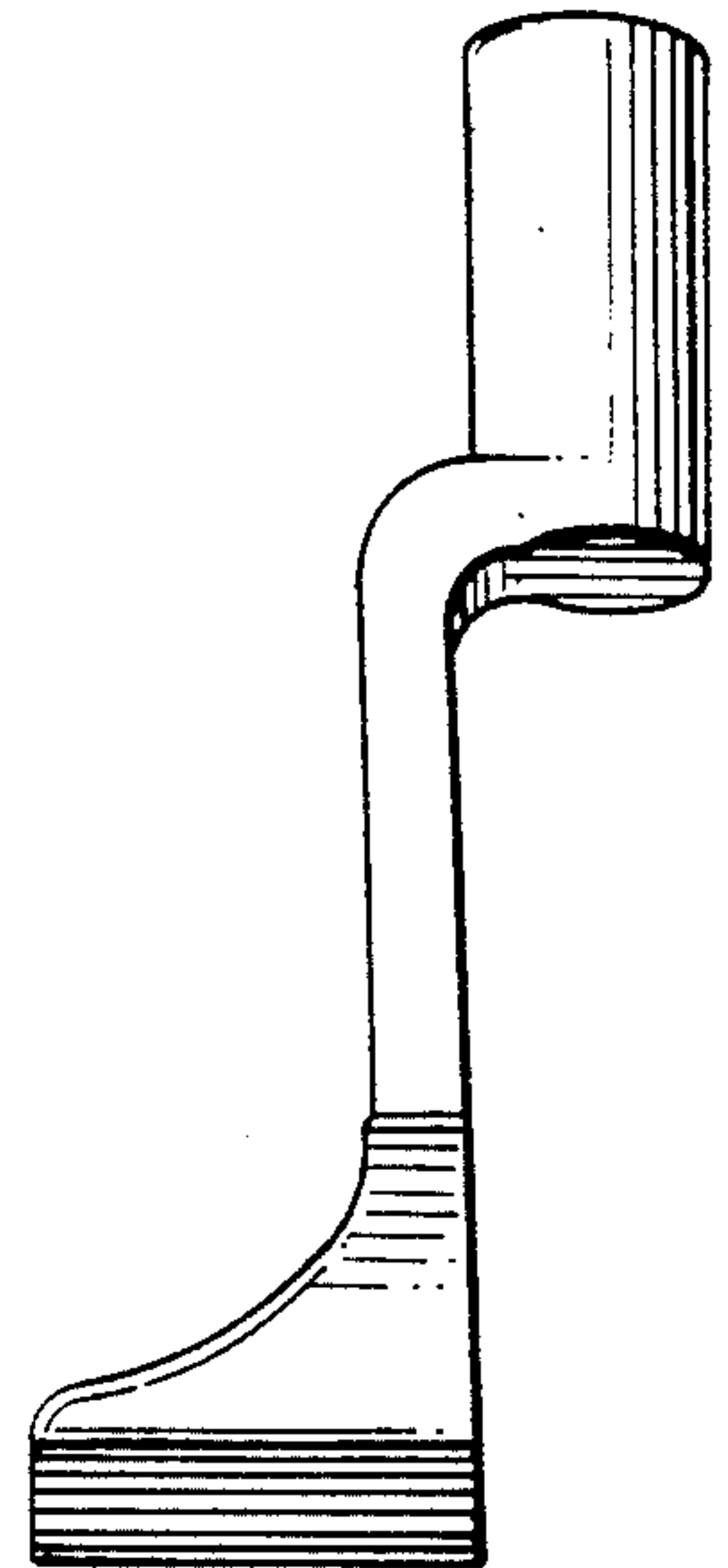


FIG. 4.

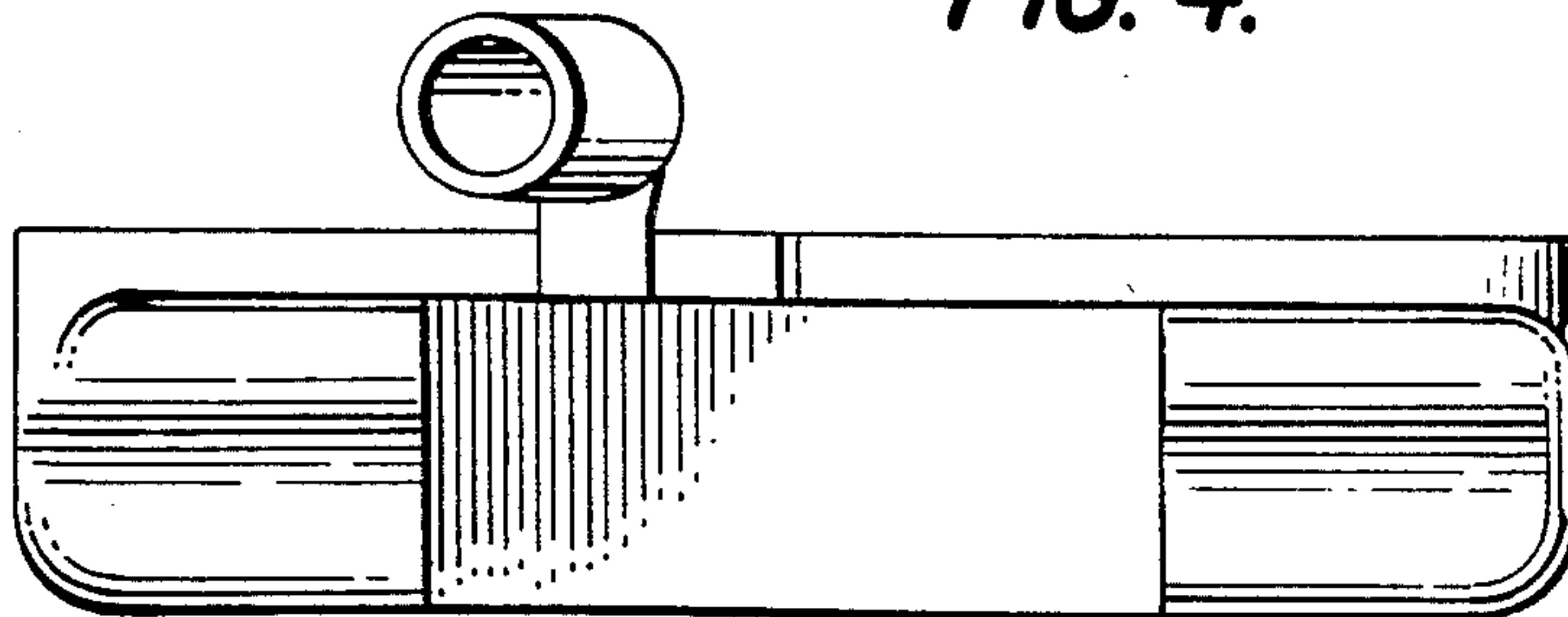


FIG. 5.

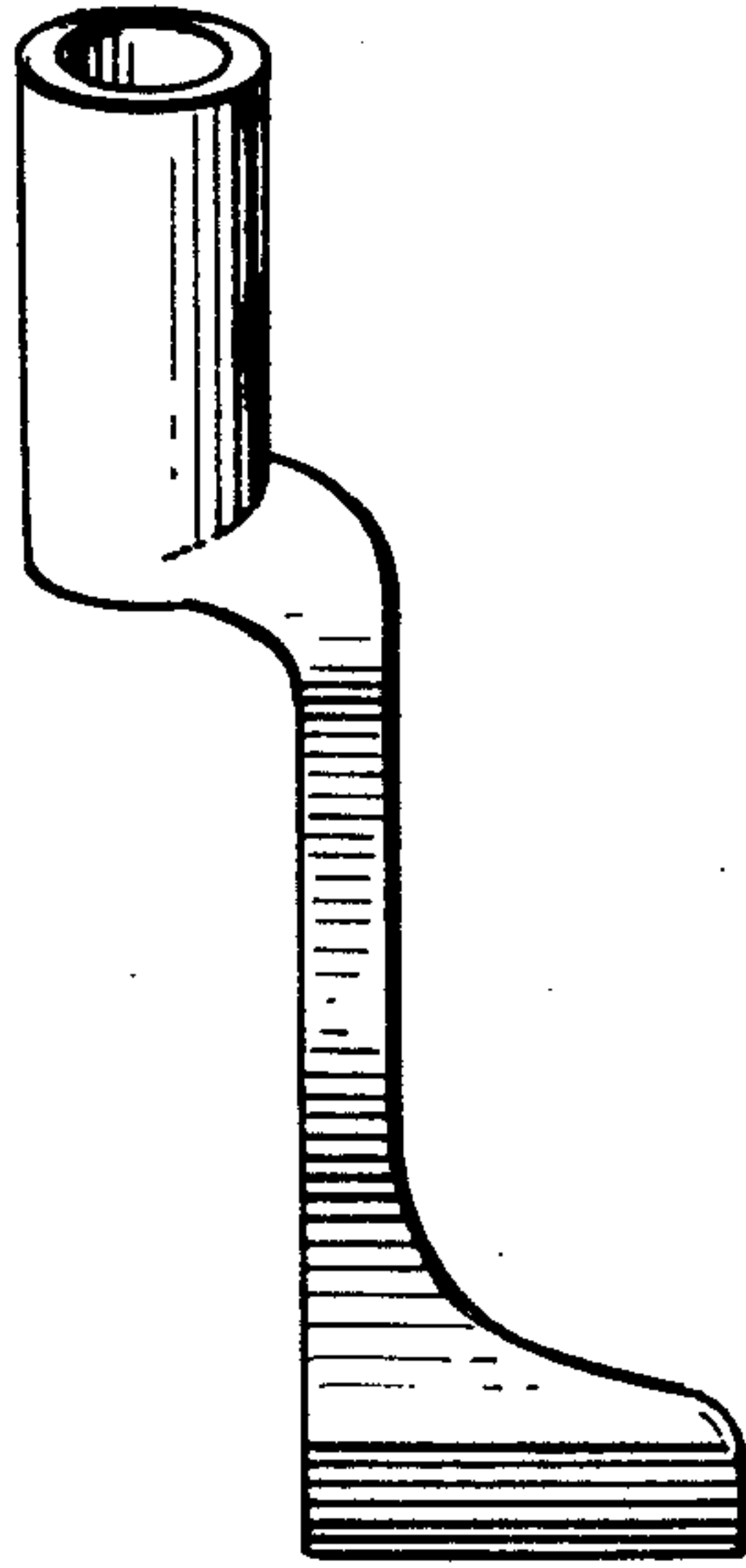


FIG. 6.

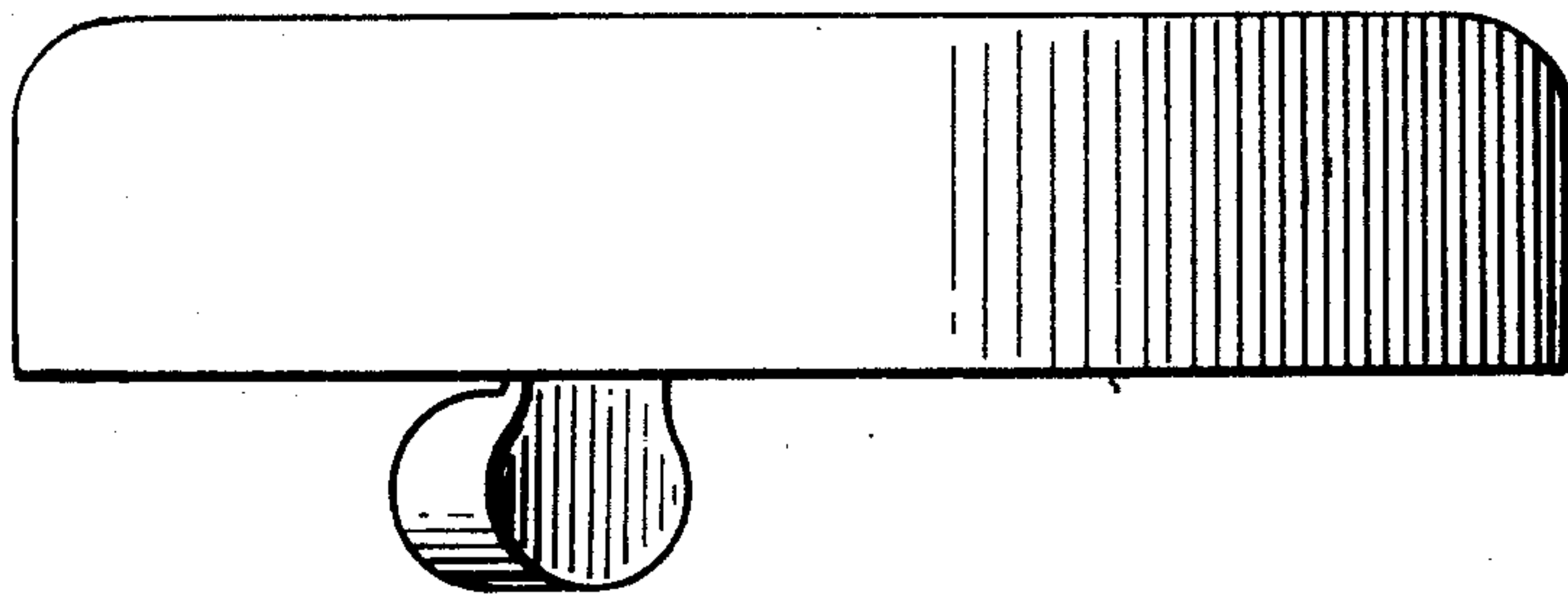


FIG. 7.

