

[54] **TOY CONSTRUCTION PIECE**

3,139,698 7/1964 Arnold 446/124
4,270,303 6/1981 Xanthopoulos et al. 446/110

[75] Inventors: **Jens N. Knudsen; Daniel A. Krentz,**
both of Billund, Denmark

Primary Examiner—Charles A. Rademaker
Attorney, Agent, or Firm—Kane, Dalsimer, Kane,
Sullivan and Kurucz

[73] Assignee: **Interlego A.G.,** Baar, Switzerland

[**] Term: **14 Years**

[57] **CLAIM**

[21] Appl. No.: **805,194**

The ornamental design for a toy construction piece, as shown and described.

[22] Filed: **Dec. 4, 1985**

[52] U.S. Cl. **D21/108**

DESCRIPTION

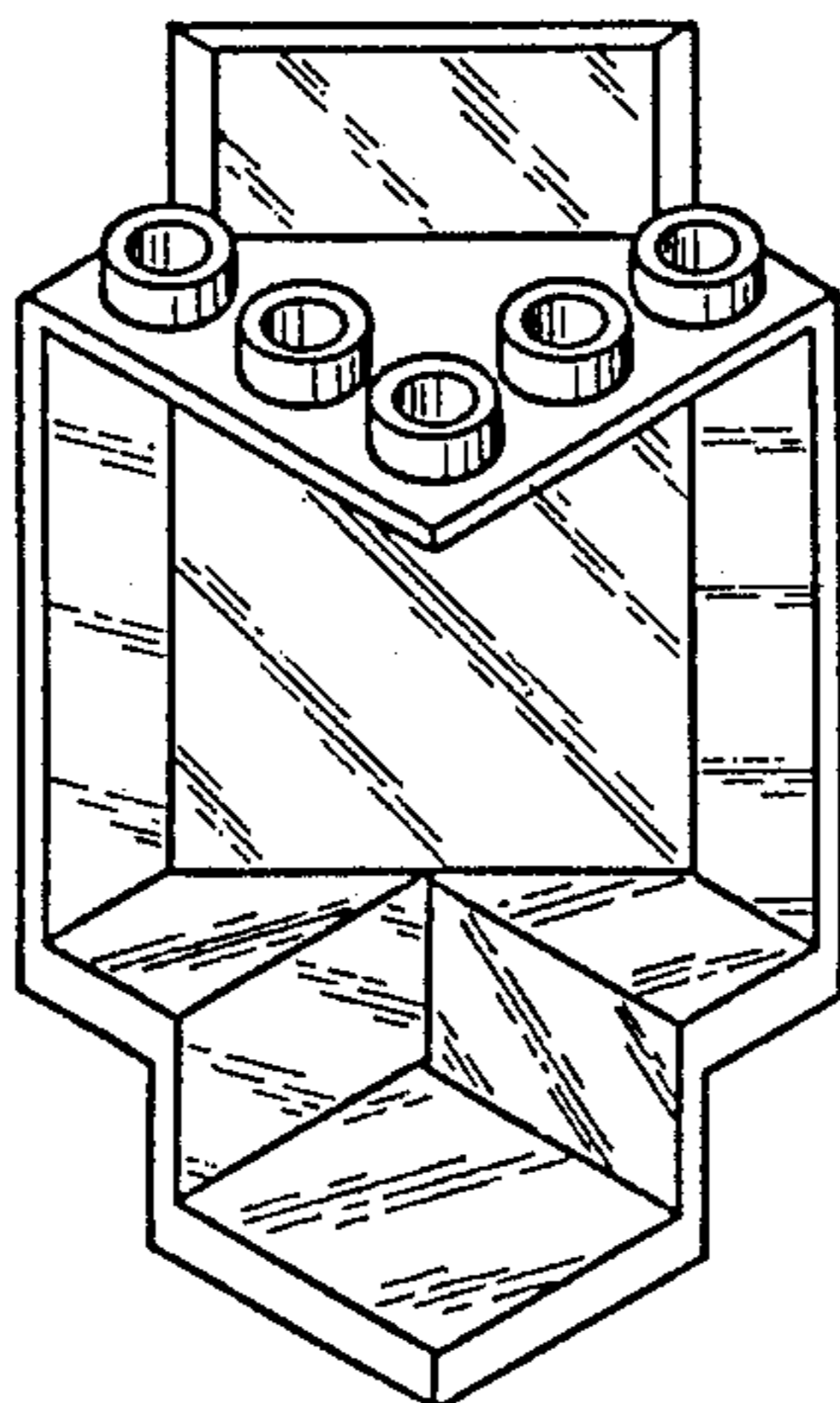
[58] Field of Search D21/108; 446/85, 99,
446/104, 106, 107, 109, 110, 117, 118, 121, 122,
124, 126, 127, 476, 478; D25/80, 93, 60, 61

FIG. 1 is a top perspective view of a toy construction piece showing our new design;
FIG. 2 is a top plan view thereof;
FIG. 3 is a side elevational view thereof;
FIG. 4 is a rear elevational view thereof;
FIG. 5 is a front elevational view thereof; and
FIG. 6 is a bottom plan view thereof.

[56] **References Cited**

U.S. PATENT DOCUMENTS

D. 233,542 11/1974 Christiansen D21/108



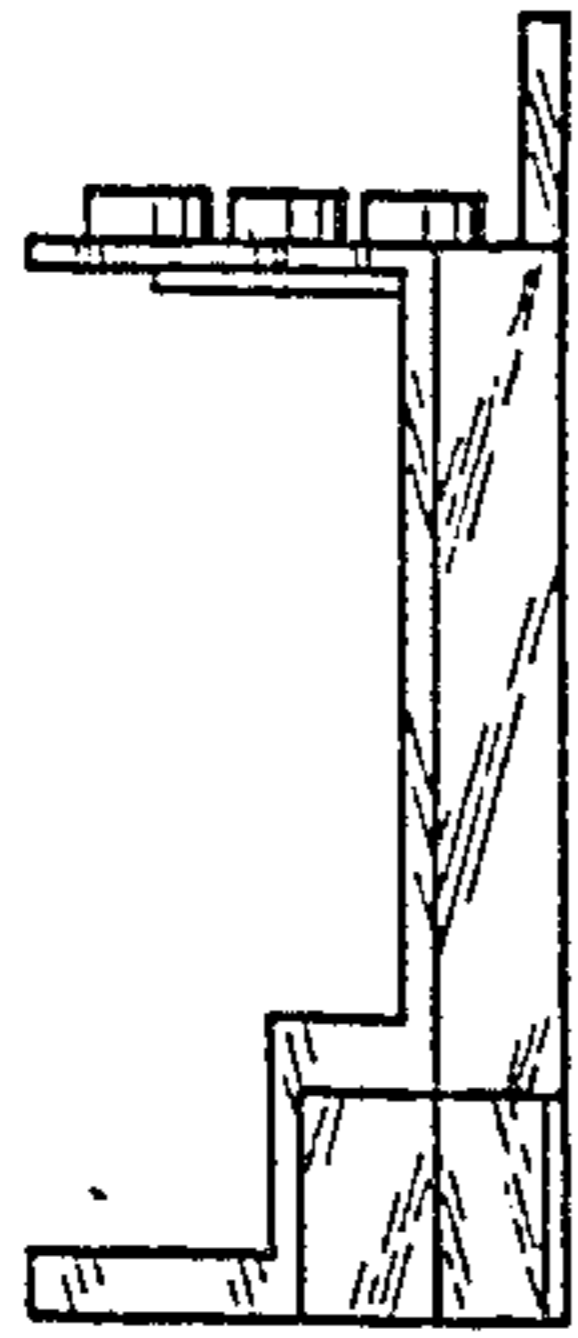


FIG. 3

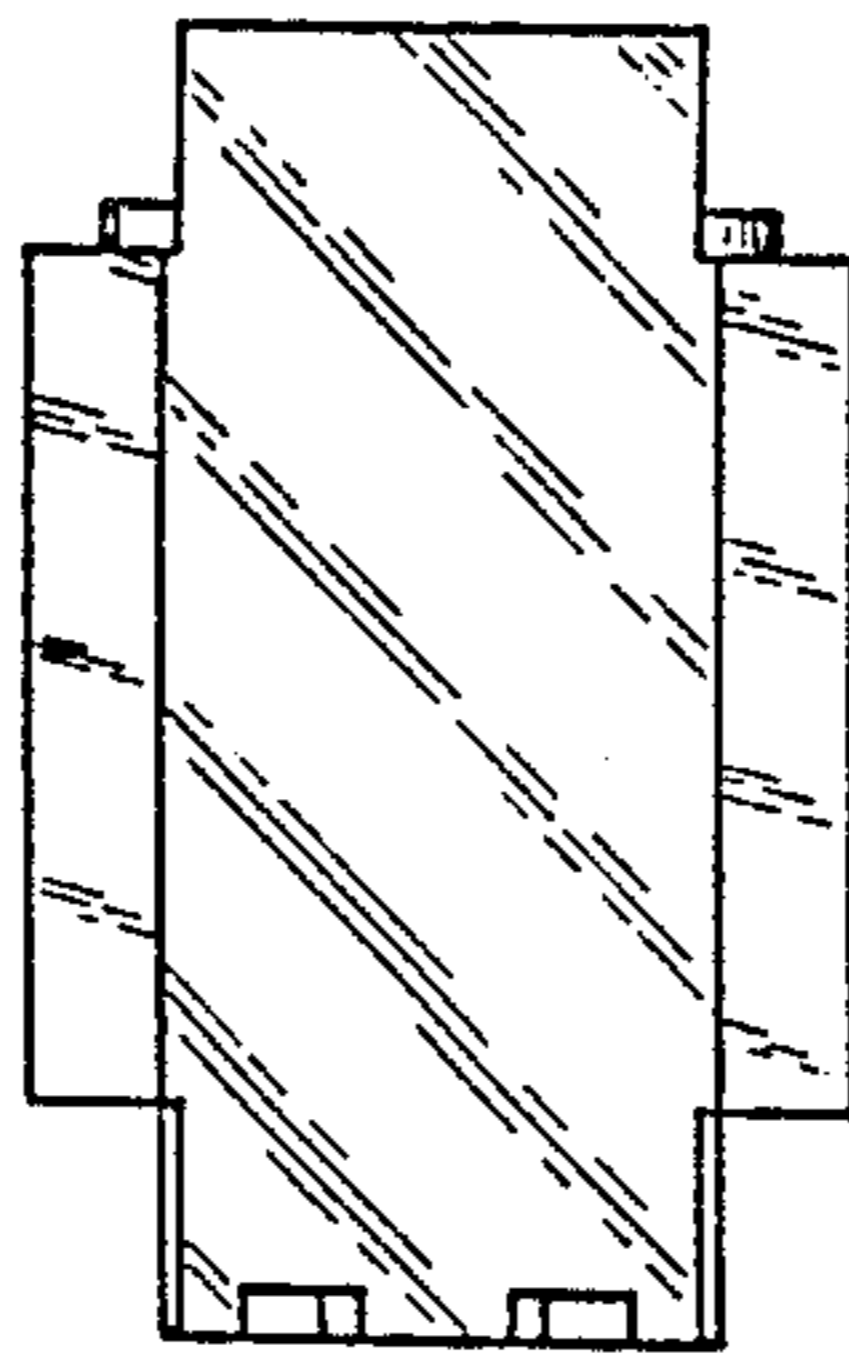


FIG. 4

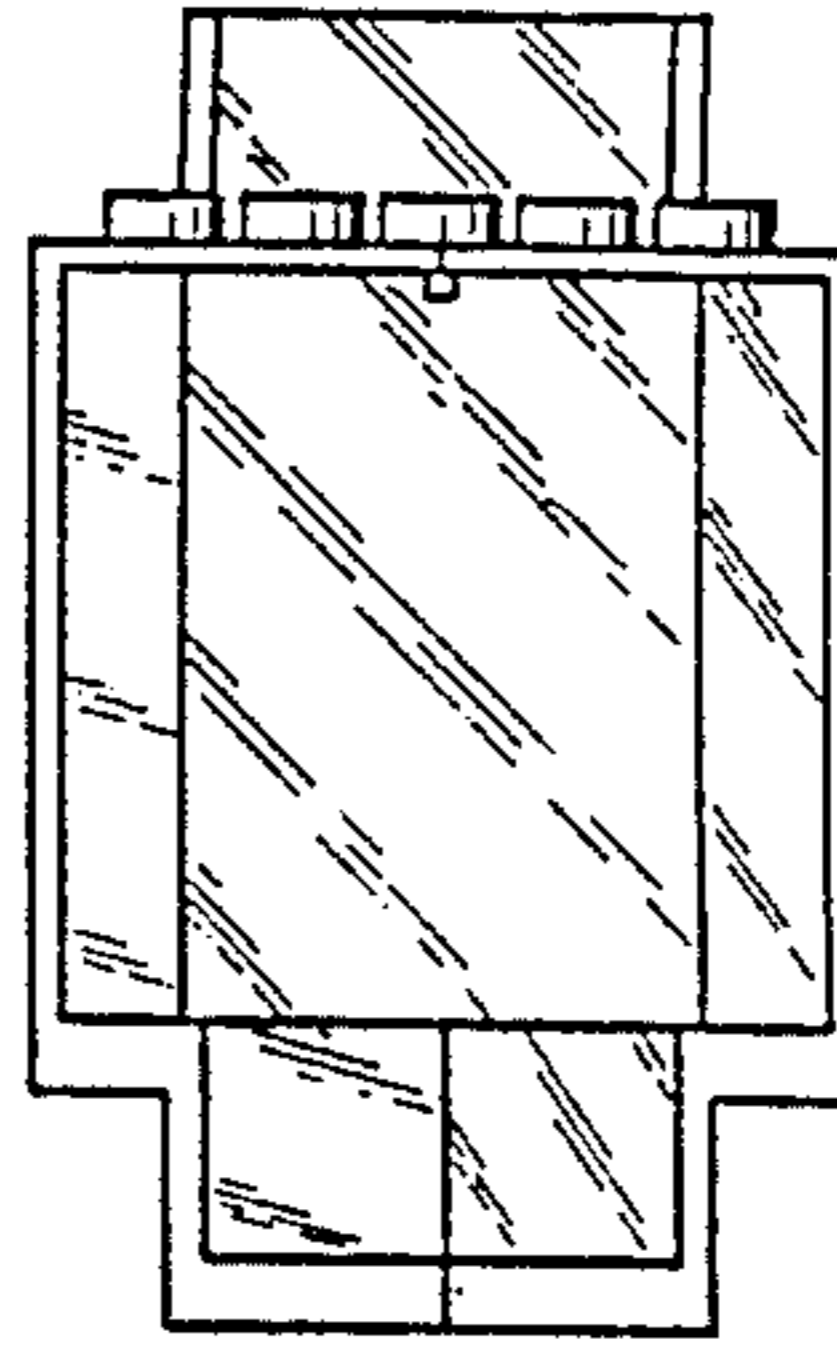


FIG. 5

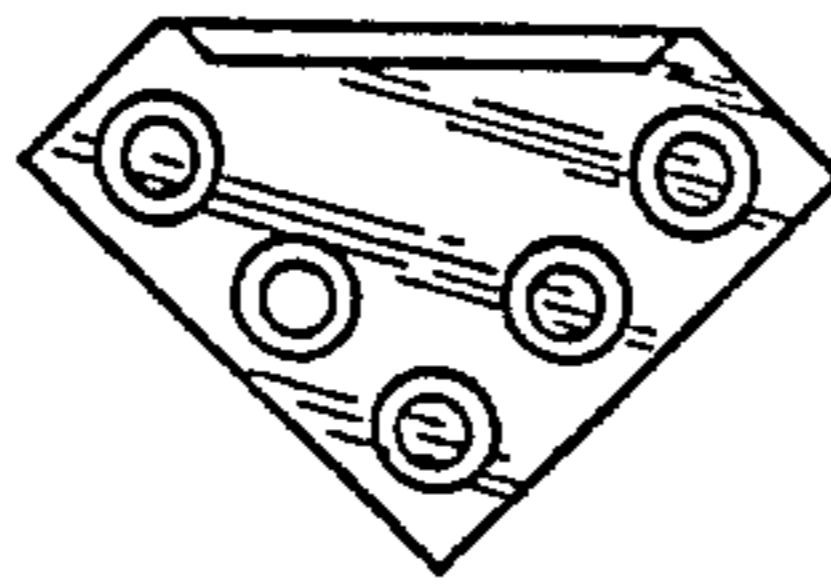


FIG. 2

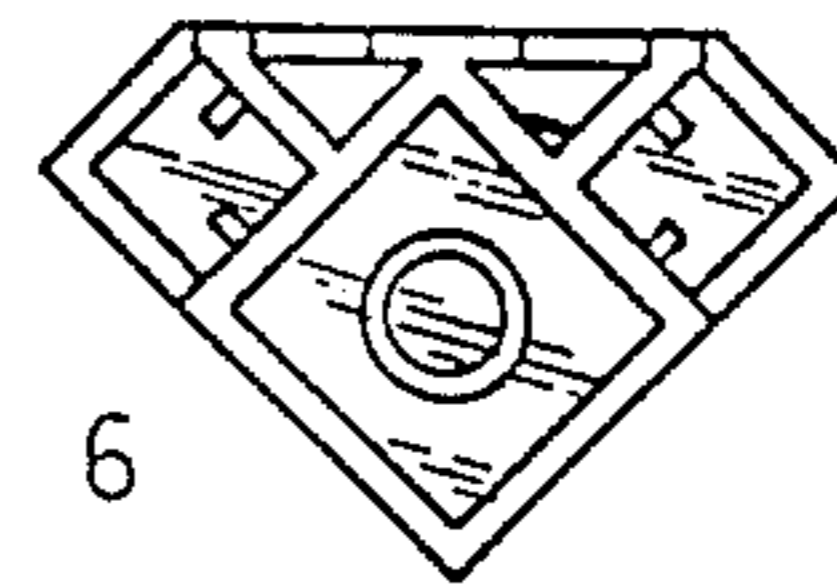


FIG. 6

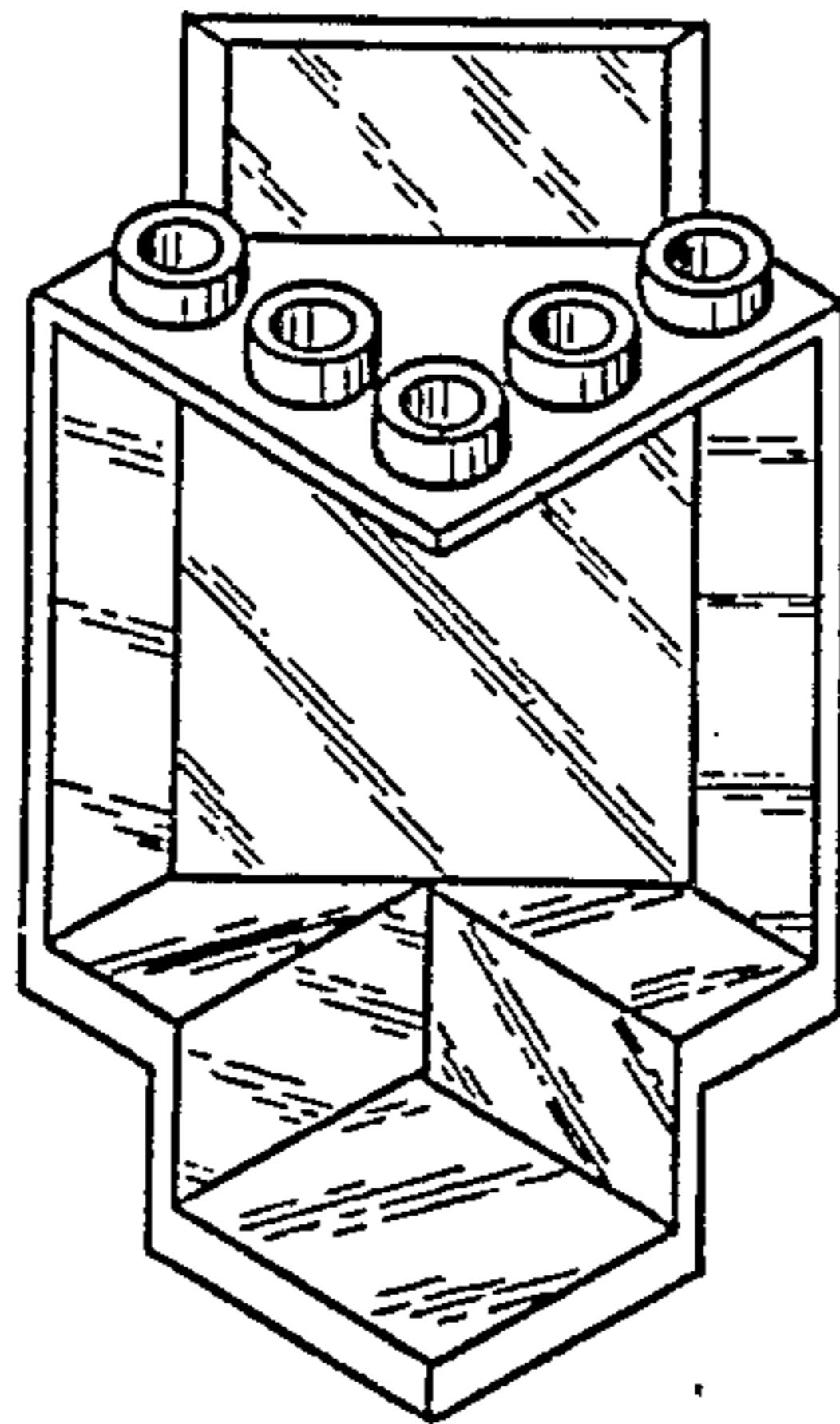


FIG. 1