

[54] **DART FOOTBALL GAMEBOARD**

[76] **Inventor: Timothy M. O'Connor, 1017 Hall Ave., West St. Paul, Minn. 55118**

[**] **Term: 14 Years**

[21] **Appl. No.: 700,659**

[22] **Filed: Feb. 11, 1985**

[52] **U.S. Cl. D21/6; D21/29**

[58] **Field of Search D21/6, 14-36; 273/408, 409**

[56] **References Cited**

U.S. PATENT DOCUMENTS

- D. 136,424 10/1943 Tremper D21/22
- D. 229,207 11/1973 Stitzer D21/6
- D. 252,412 7/1979 Barker D21/6
- 1,838,398 12/1931 Heidbrink D21/29

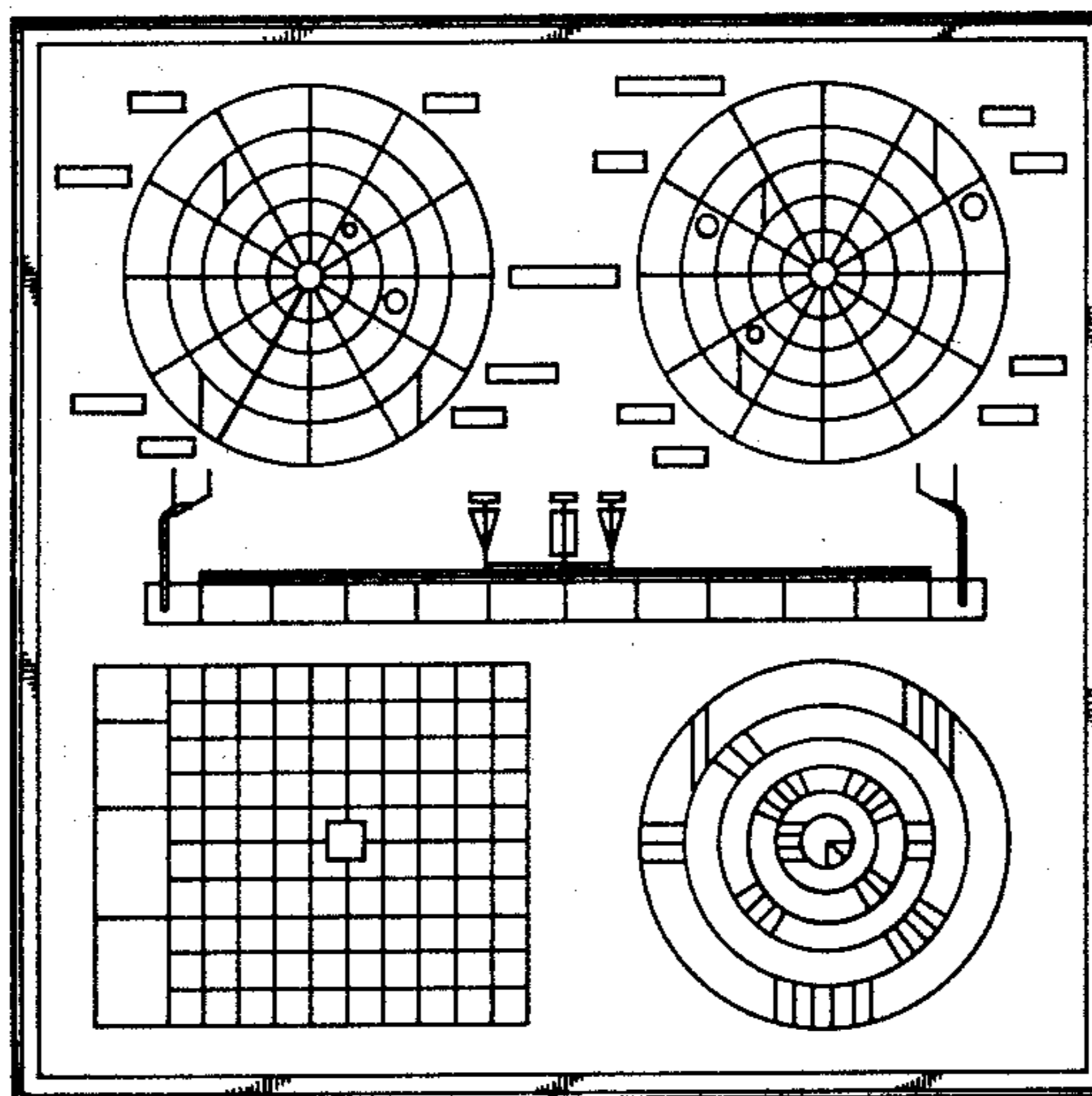
Primary Examiner—Melvin B. Feifer
Attorney, Agent, or Firm—Don E. Ferrell

[57] **CLAIM**

The ornamental design for a dart football gameboard, as shown and described.

DESCRIPTION

FIG. 1 is a top plan view of a dart football gameboard showing my new design; and
FIG. 2 is an end elevation view thereof.



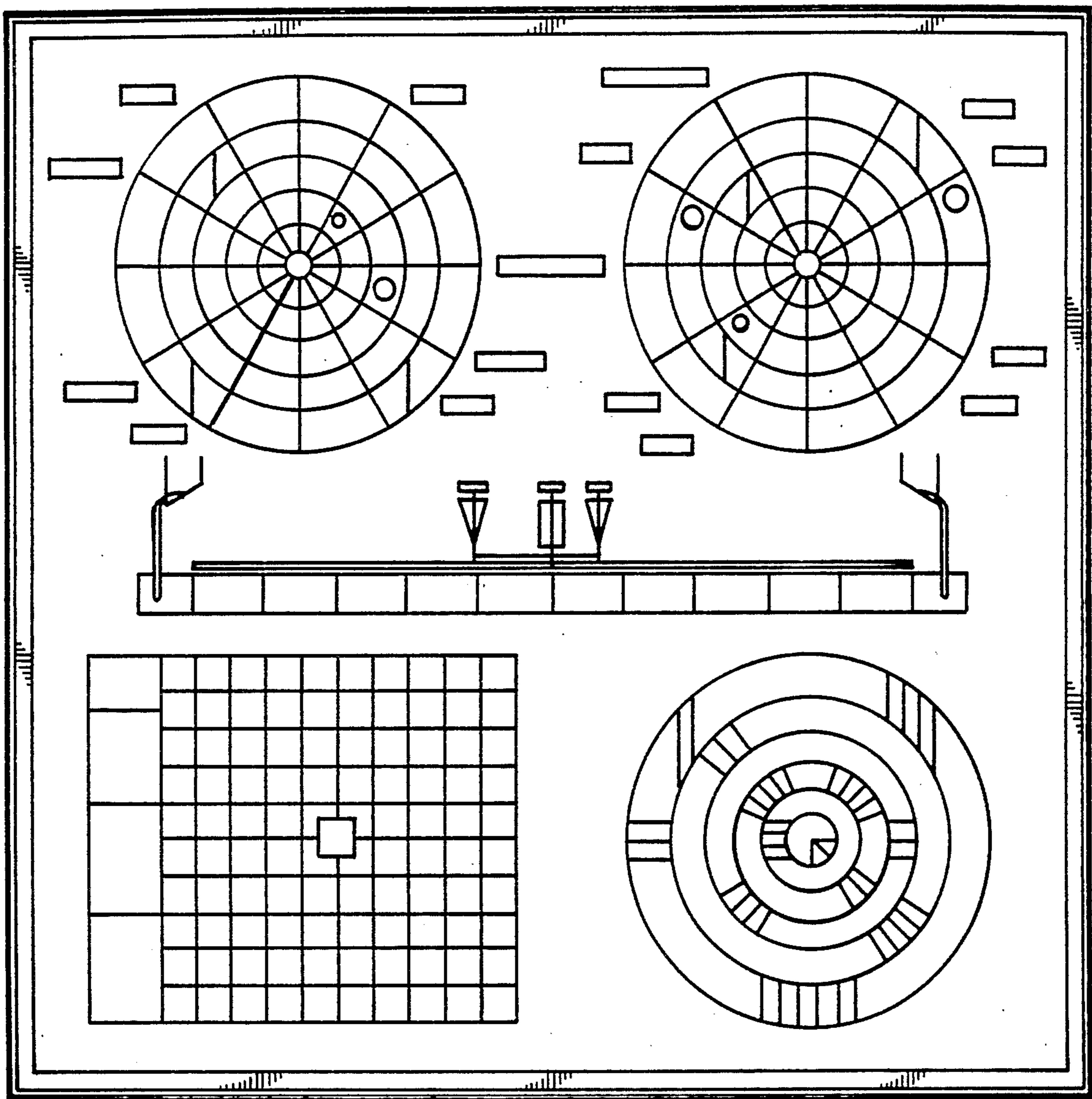


Fig. 1



Fig. 2