

[54] DISPLAY PANEL FOR SHELVING

3,204,357 9/1965 Marschak ..... 40/16  
4,426,797 1/1984 Burkemper et al. .... 40/16.4

[75] Inventors: Gary L. Dalbey, Ankeny; Ronald L. Huston, Altoona, both of Iowa

Primary Examiner—Catherine E. Kemper  
Attorney, Agent, or Firm—Zarley, McKee, Thomte, Voorhees & Sease

[73] Assignee: Hulsizer's, Inc., Ankeny, Iowa

[\*\*] Term: 14 Years

[57] CLAIM

[21] Appl. No.: 661,604

The ornamental design for a display panel for shelving, substantially as shown and described.

[22] Filed: Oct. 17, 1984

DESCRIPTION

[52] U.S. Cl. .... D20/44; D25/74

[58] Field of Search ..... D20/10, 43, 44; D25/74;  
40/584, 10 R, 16, 16.4, 308

FIG. 1 is a front perspective view of a display panel for shelving showing our new design.

FIG. 2 is an elevational view taken from the end as seen from the left of FIG. 1; the opposite end being a mirror image thereof;

FIG. 3 is a front elevational view thereof;

FIG. 4 is a top plan view thereof;

FIG. 5 is a bottom plan view thereof; and

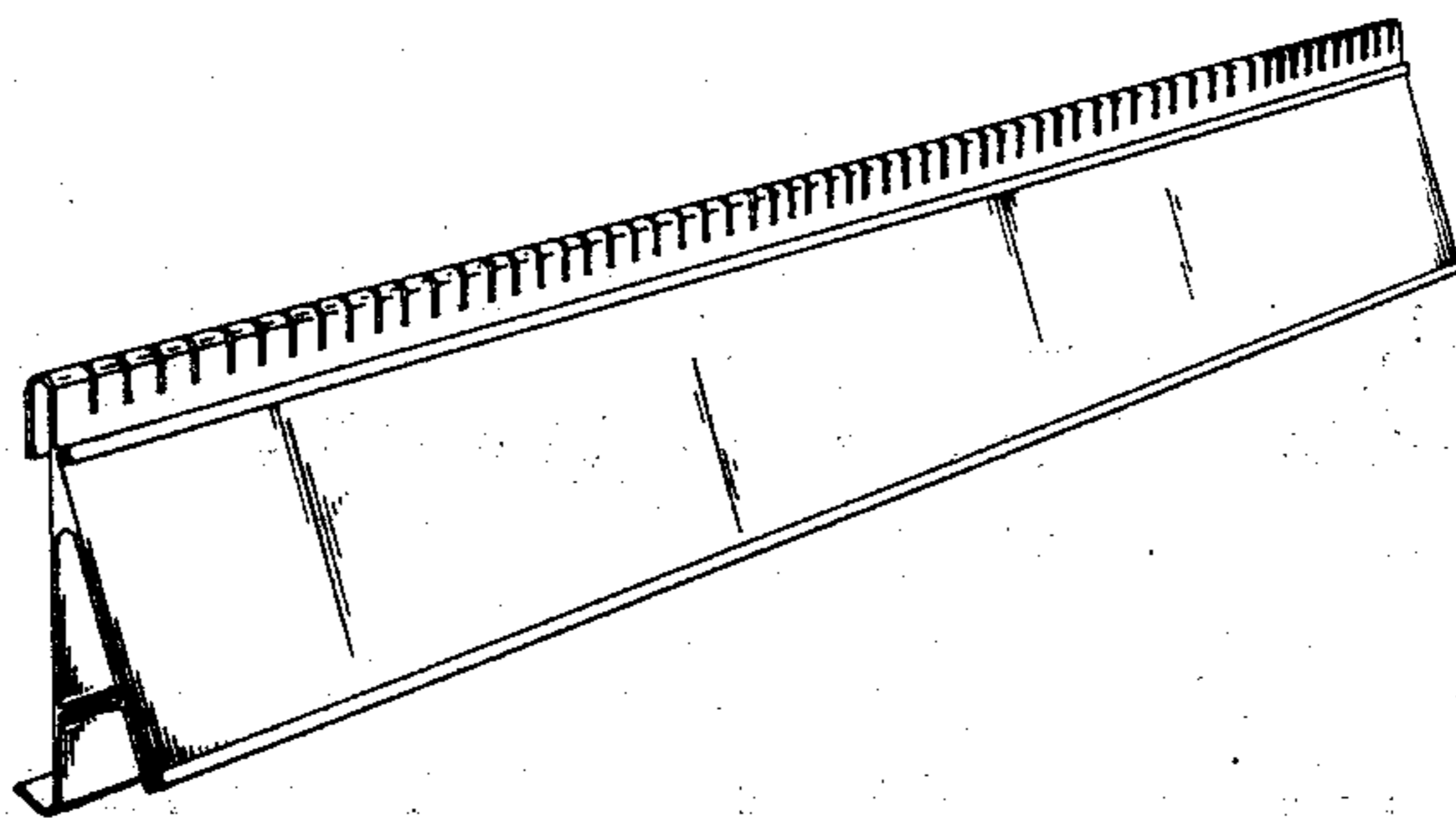
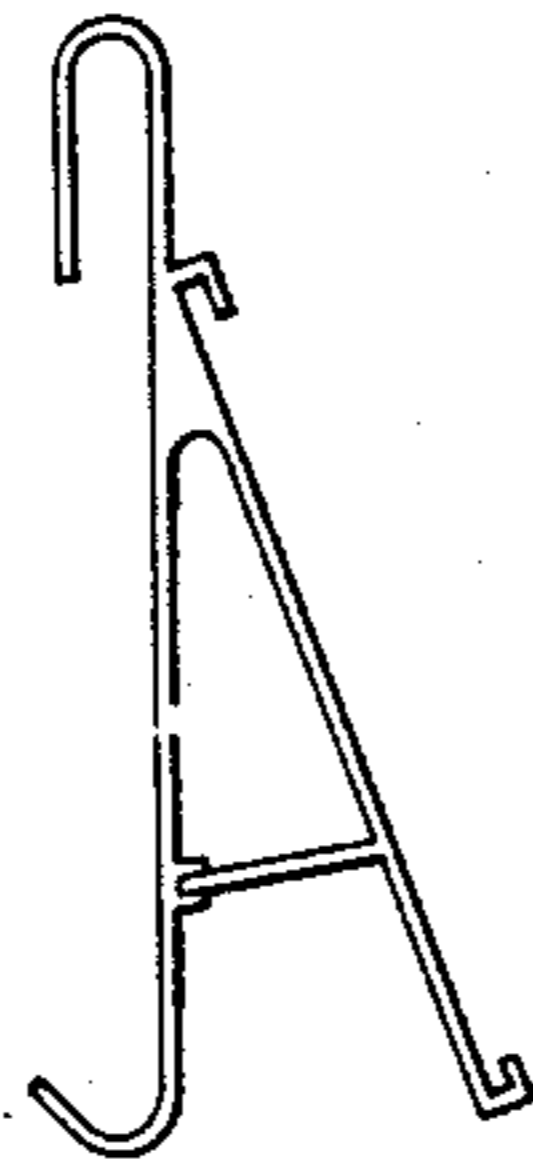
FIG. 6 is a rear elevational view thereof.

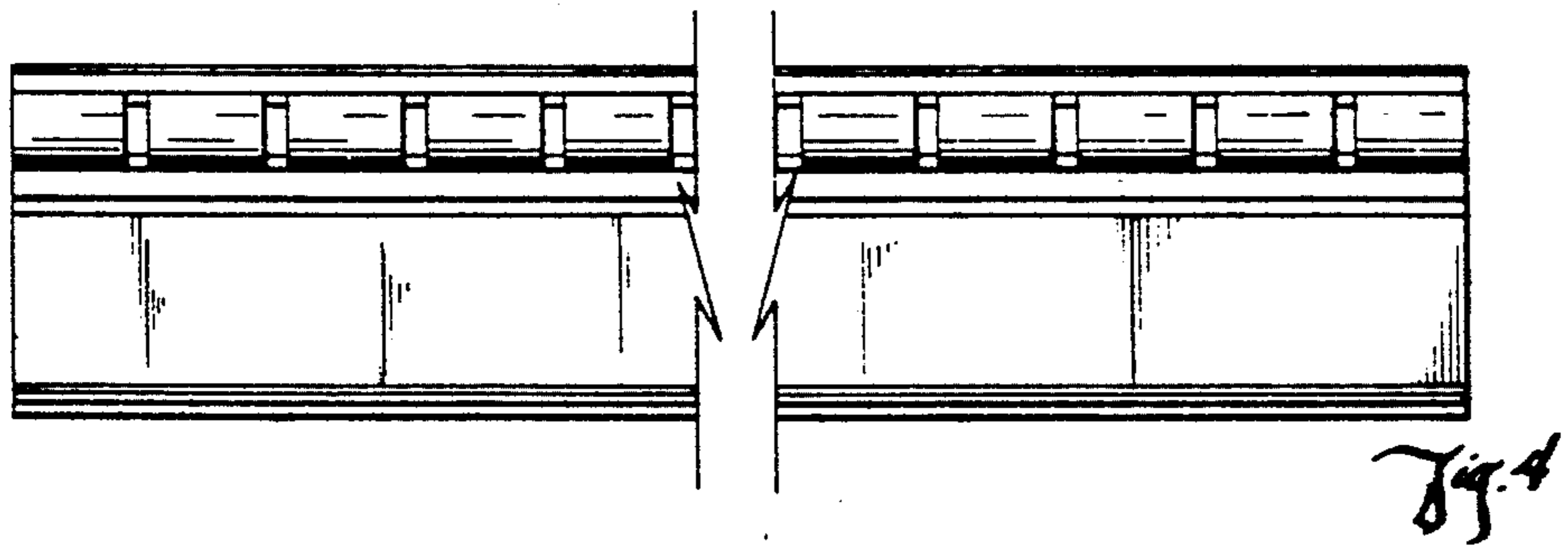
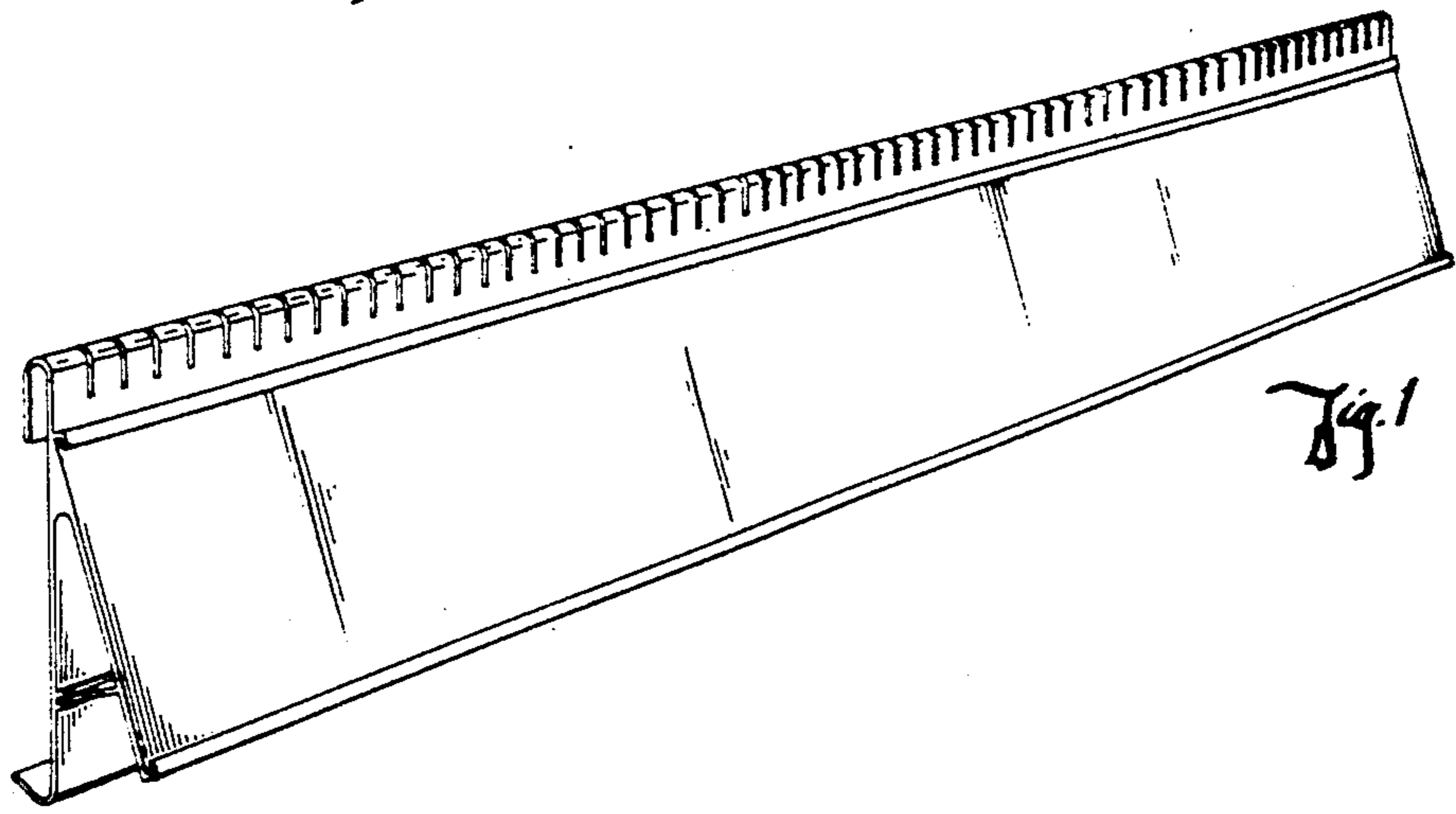
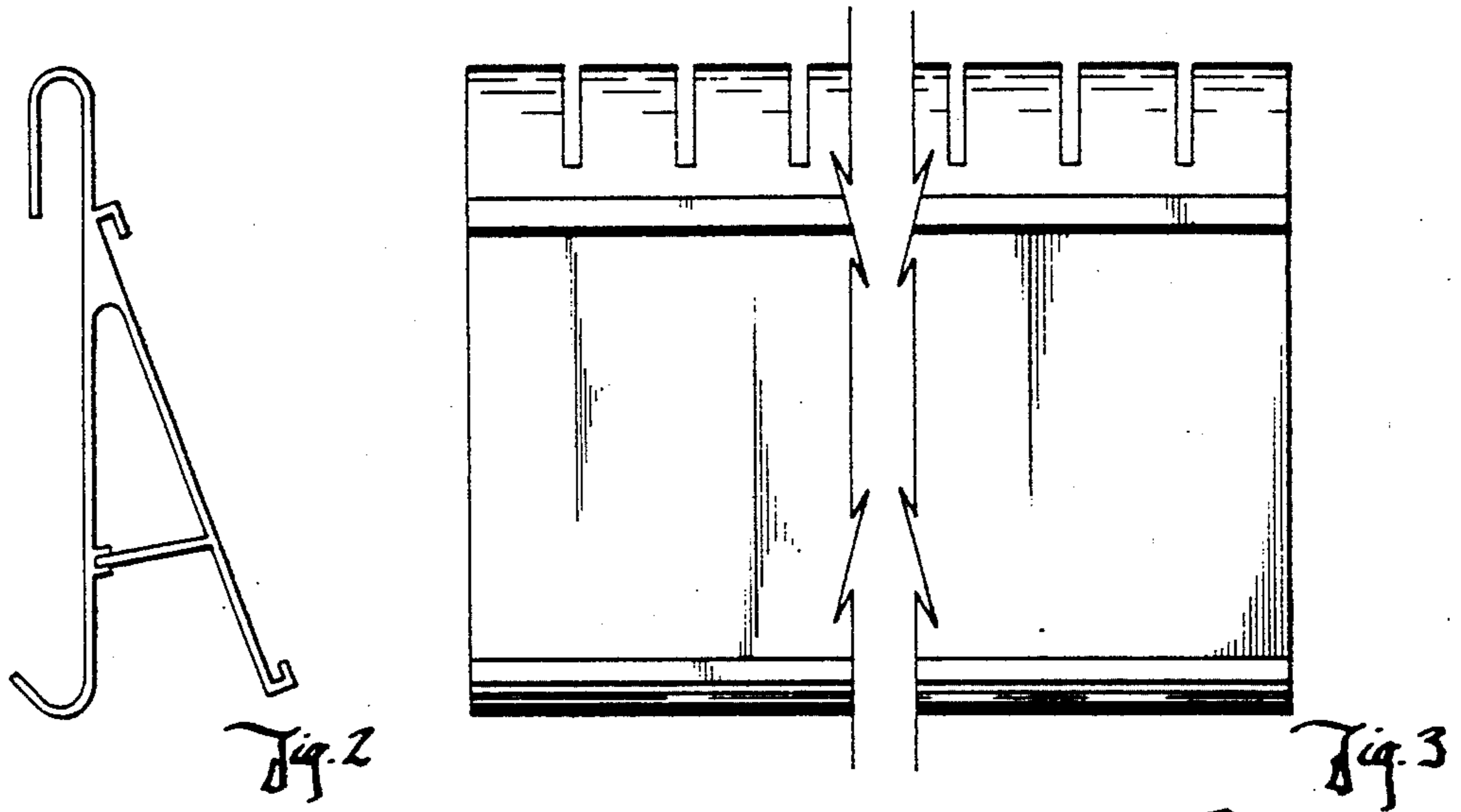
The display panel for shelving has been shown fragmentarily in FIGS. 3-6 for ease of illustration.

[56] References Cited

U.S. PATENT DOCUMENTS

D. 175,481	8/1955	Slavsky .....	D20/44
D. 185,408	6/1959	Zimmerman .....	D20/43
D. 245,066	7/1977	Taub .....	D20/44
2,352,100	6/1944	Hornung .....	40/16
3,022,593	2/1962	Sides .....	40/308





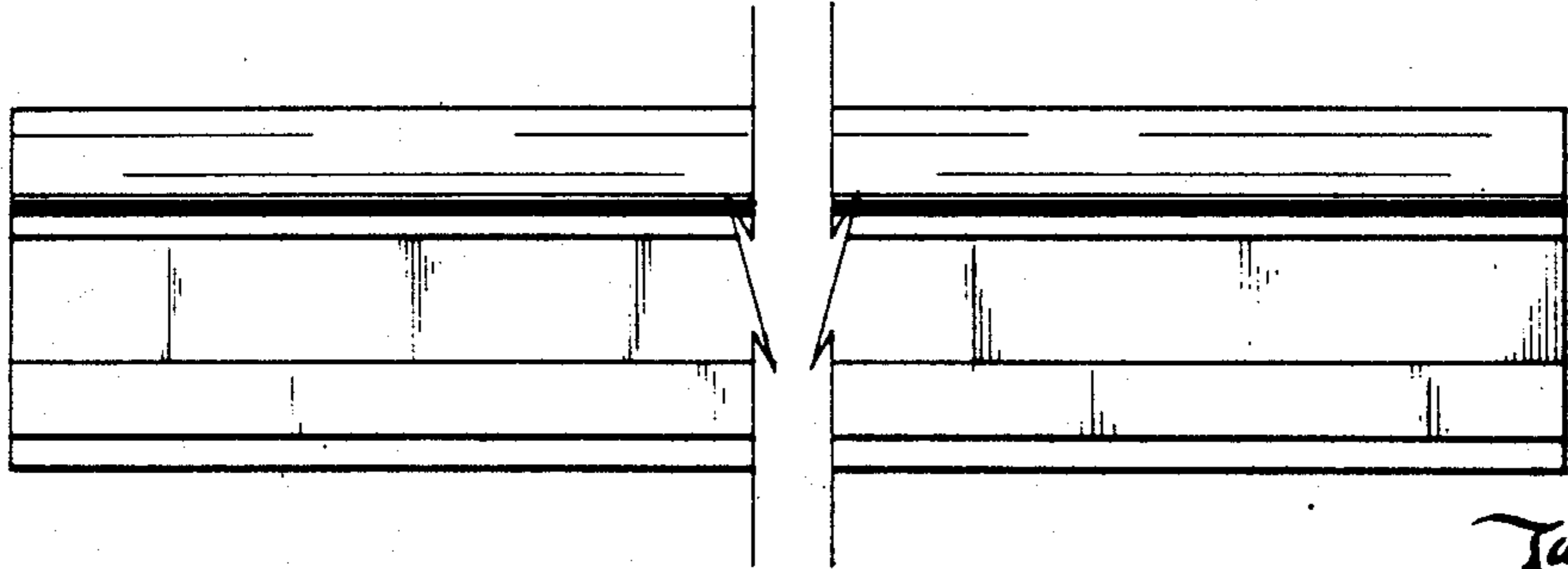


Fig. 5

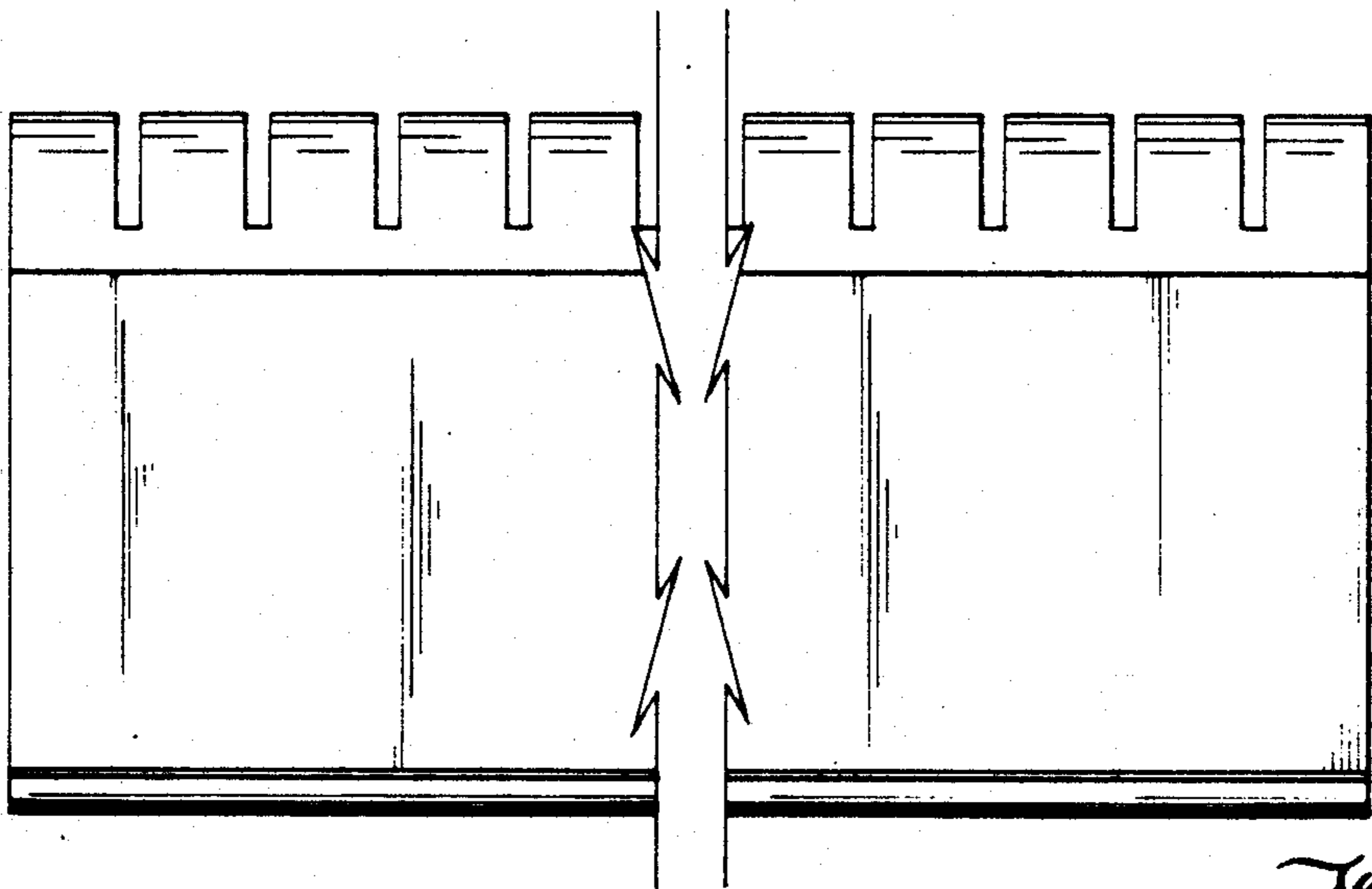


Fig. 6