

[54] **LASER PRINTER**

[75] **Inventors: Kiyotaka Morozumi; Masanori Hashimoto, both of Kanagawa; Masahiro Minagawa, Tokyo, all of Japan**

[73] **Assignee: Ricoh Company, Ltd., Tokyo, Japan**

[\*\*] **Term: 14 Years**

[21] **Appl. No.: 778,335**

[22] **Filed: Sep. 20, 1985**

[30] **Foreign Application Priority Data**

Mar. 22, 1985 [JP]	Japan	60-11343
[52] U.S. Cl.		<b>D18/13</b>
[58] Field of Search	D18/13, 22, 23; D14/94, D14/107, 111, 114; D16/30-32; 400/118, 694, 689-693	

[56] **References Cited**

**U.S. PATENT DOCUMENTS**

D. 281,256	11/1985	Yamamoto	.....	D18/13
D. 283,900	5/1986	Hollerith, Jr. et al.	.....	D18/13

*Primary Examiner*—Louis S. Zarfaz  
*Attorney, Agent, or Firm*—Oblon, Fisher, Spivak, McClelland & Maier

[57] **CLAIM**

The ornamental design for laser printer, as shown and described.

**DESCRIPTION**

FIG. 1 is a front and top-right perspective view of a laser printer showing our new design; FIG. 2 is a front elevational view thereof; FIG. 3 is a top plan view thereof; FIG. 4 is a right side elevational view thereof; FIG. 5 is a left side elevational view thereof; FIG. 6 is a rear elevational view thereof; and FIG. 7 is a bottom plan view thereof.

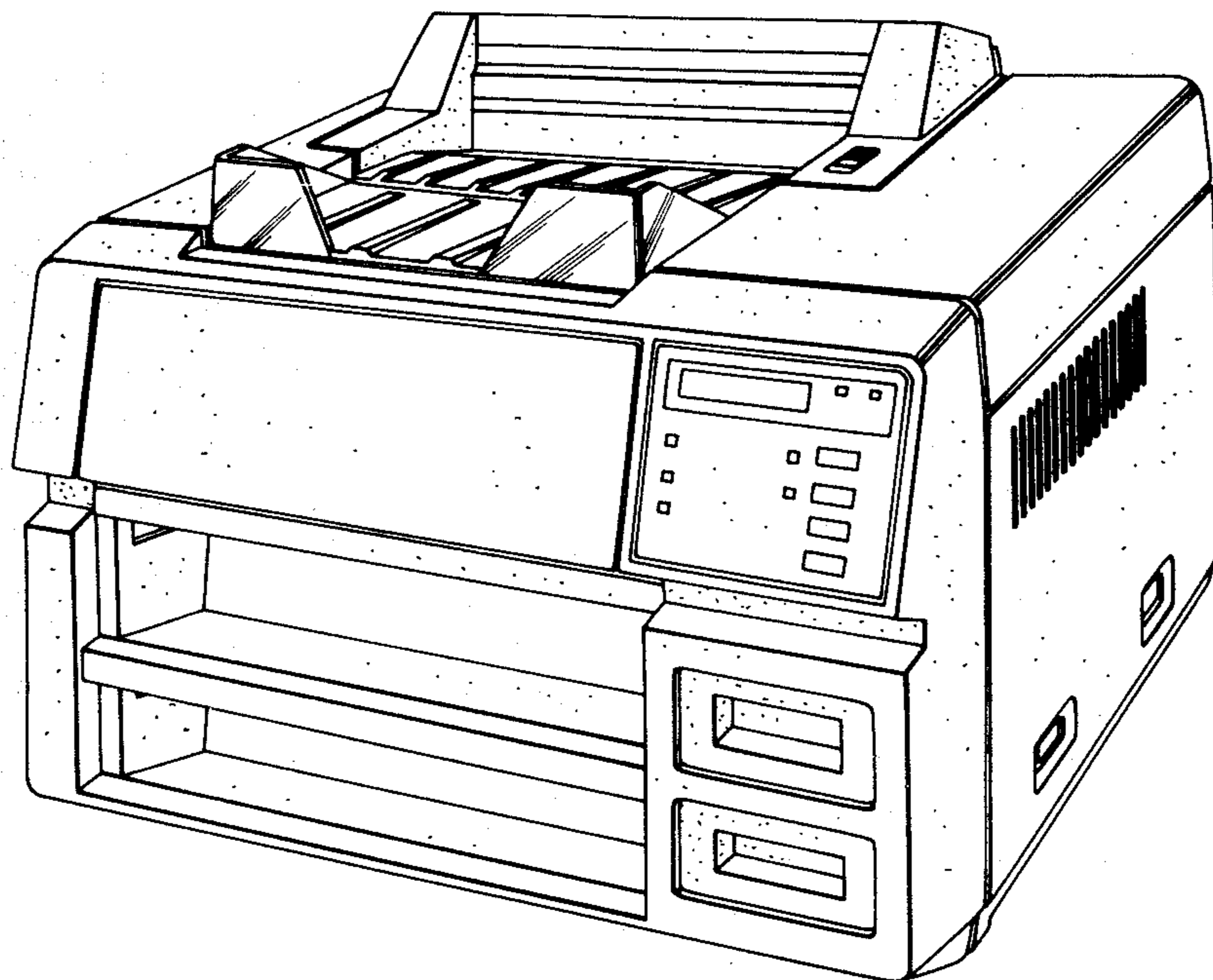


FIG. 1

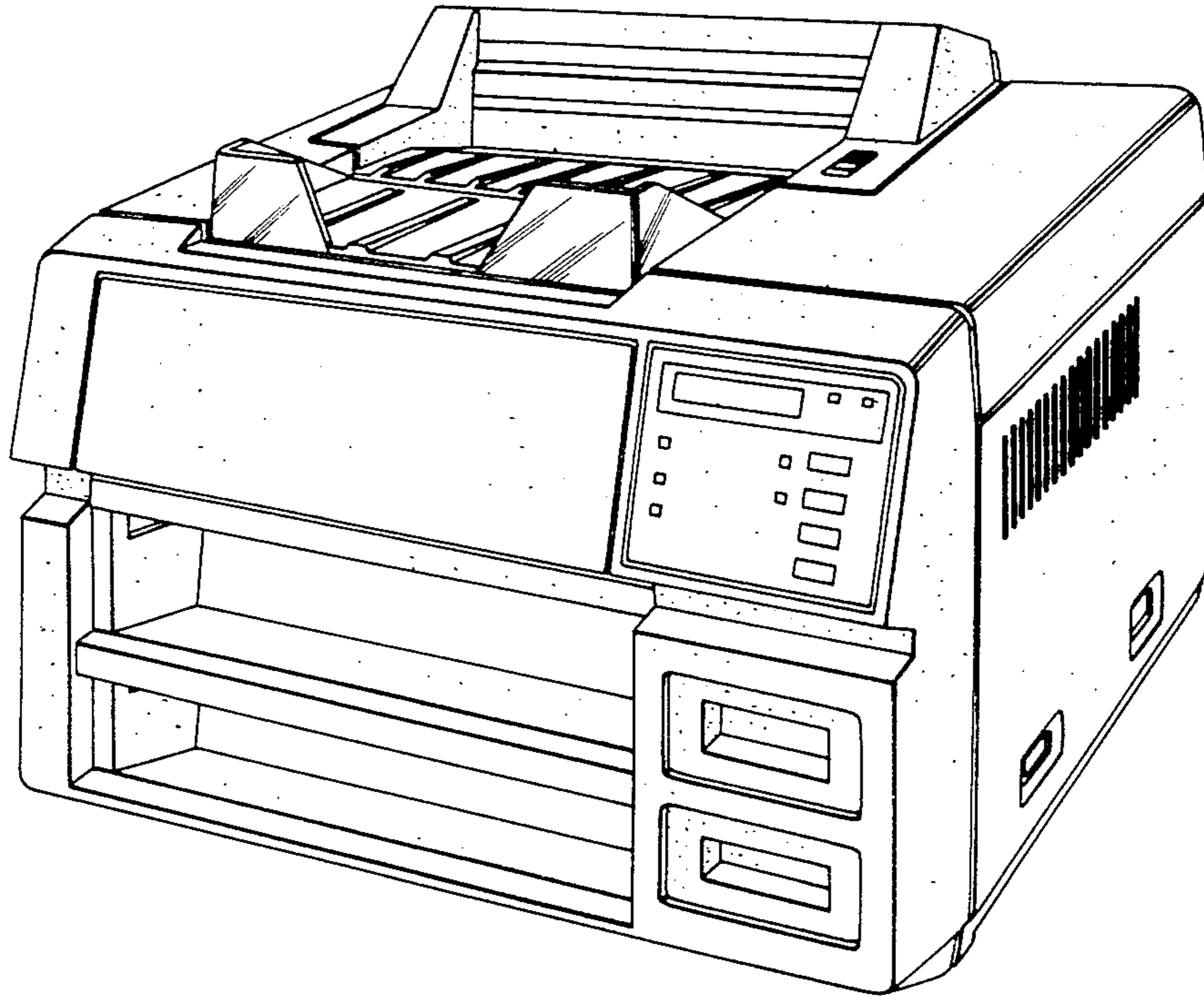


FIG. 2

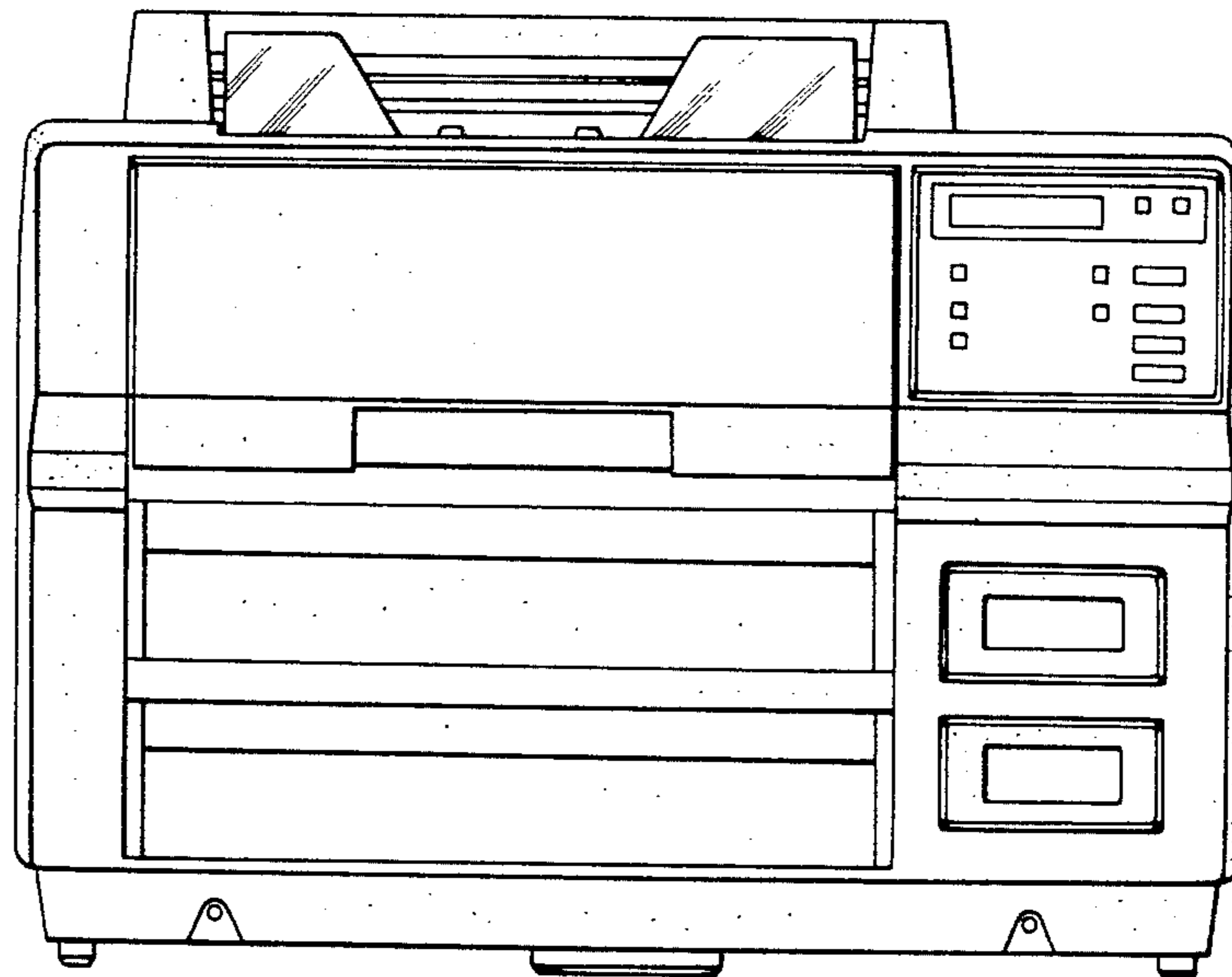


FIG. 3

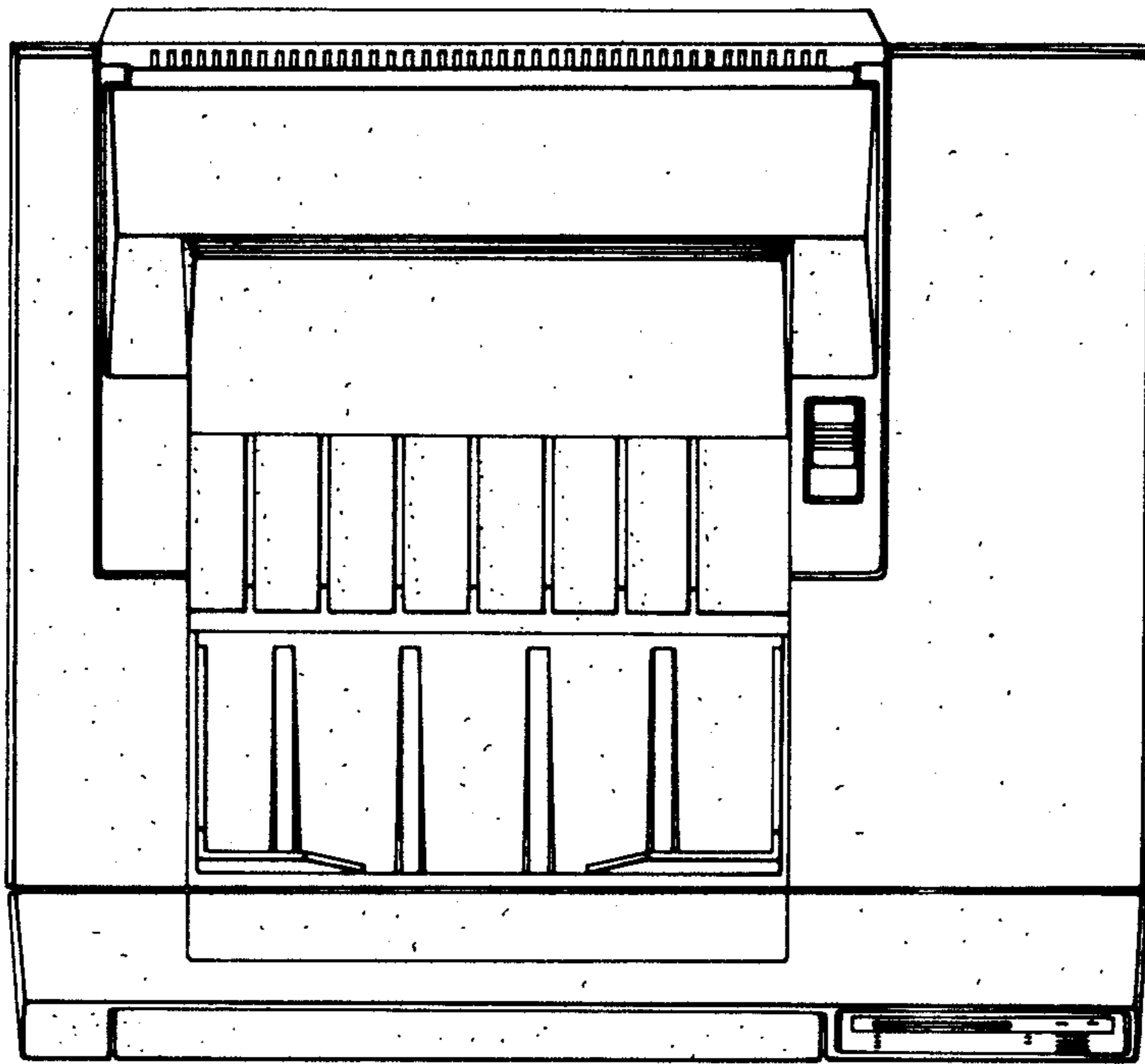


FIG. 4

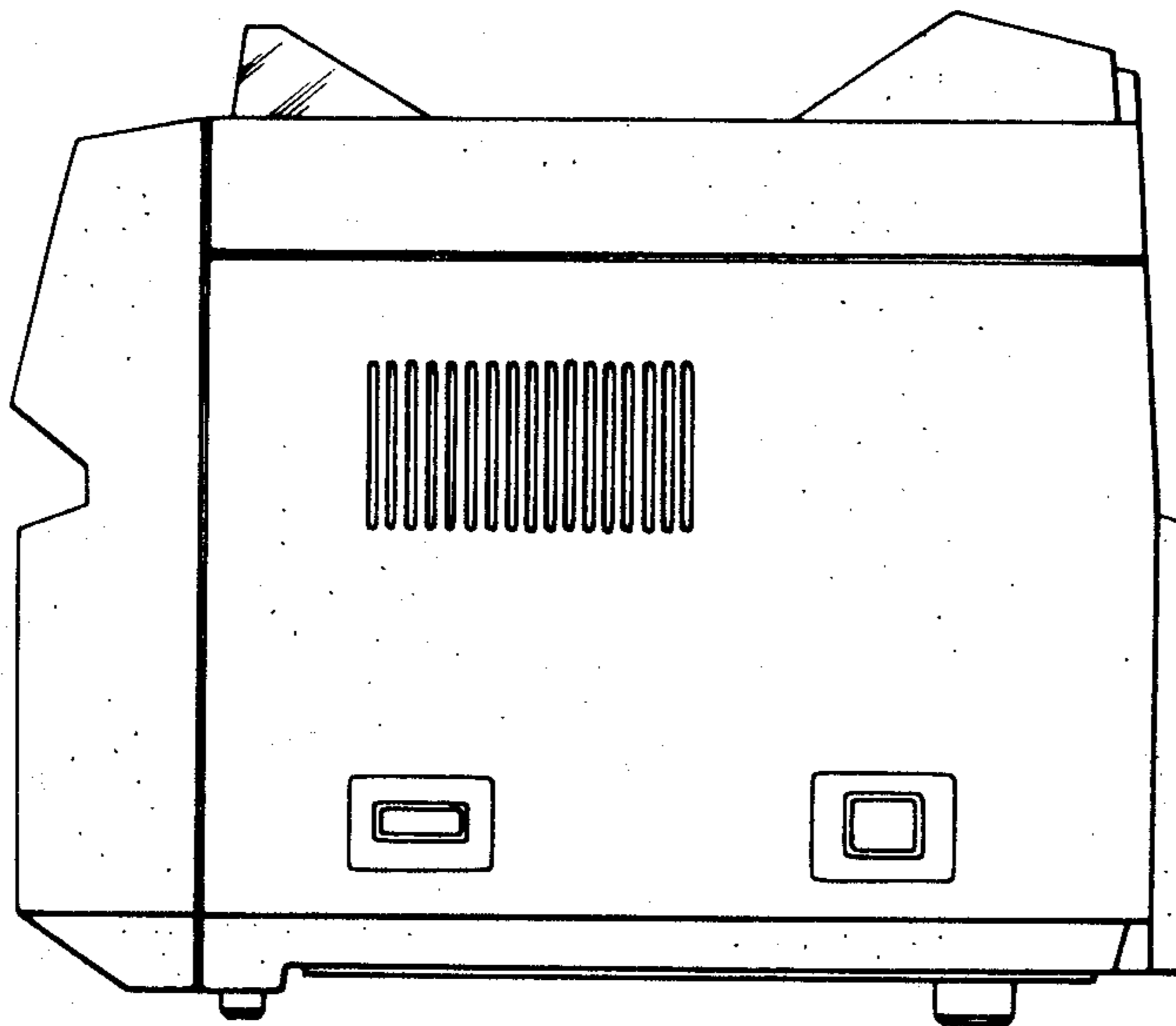


FIG. 5

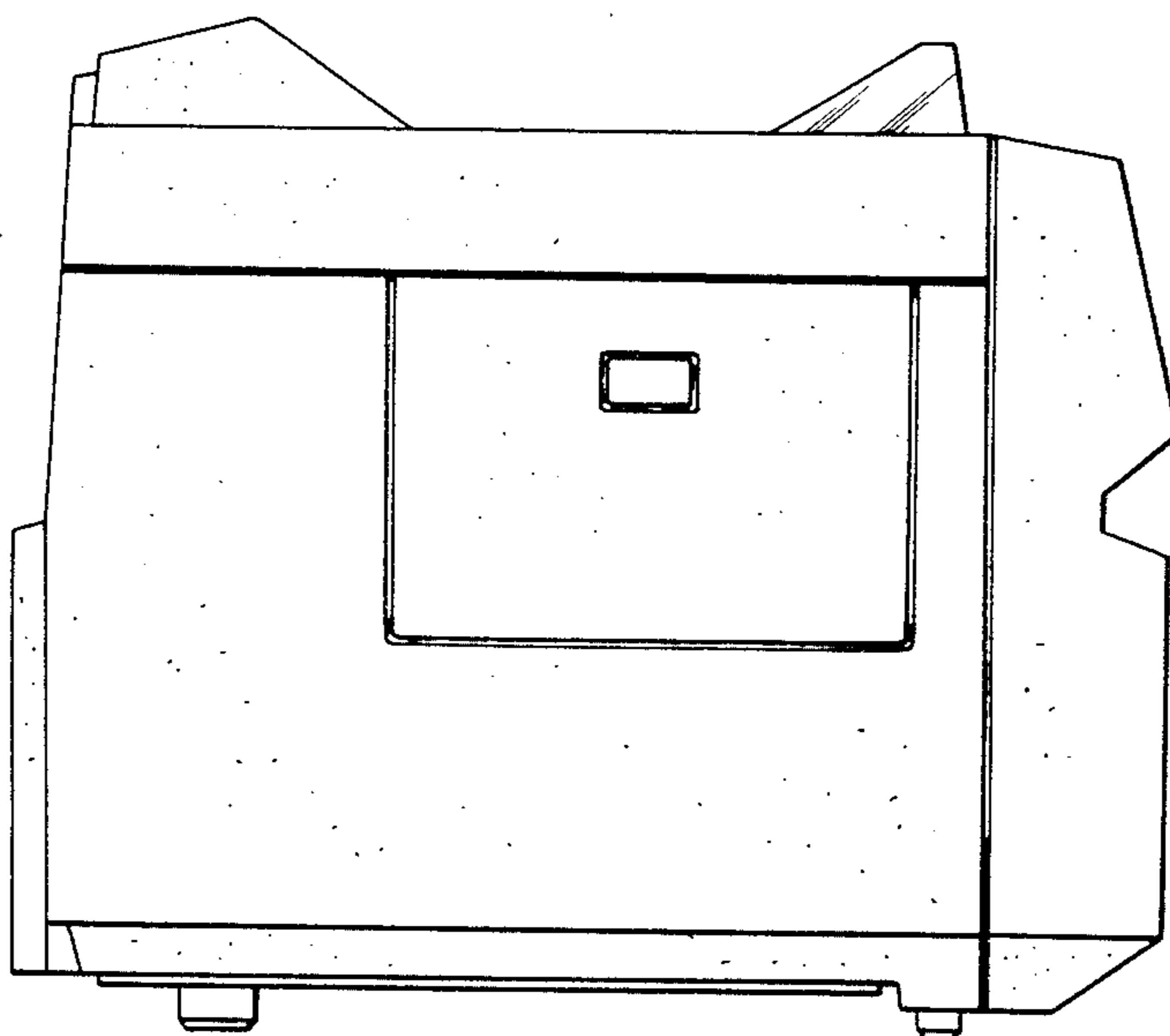


FIG. 6

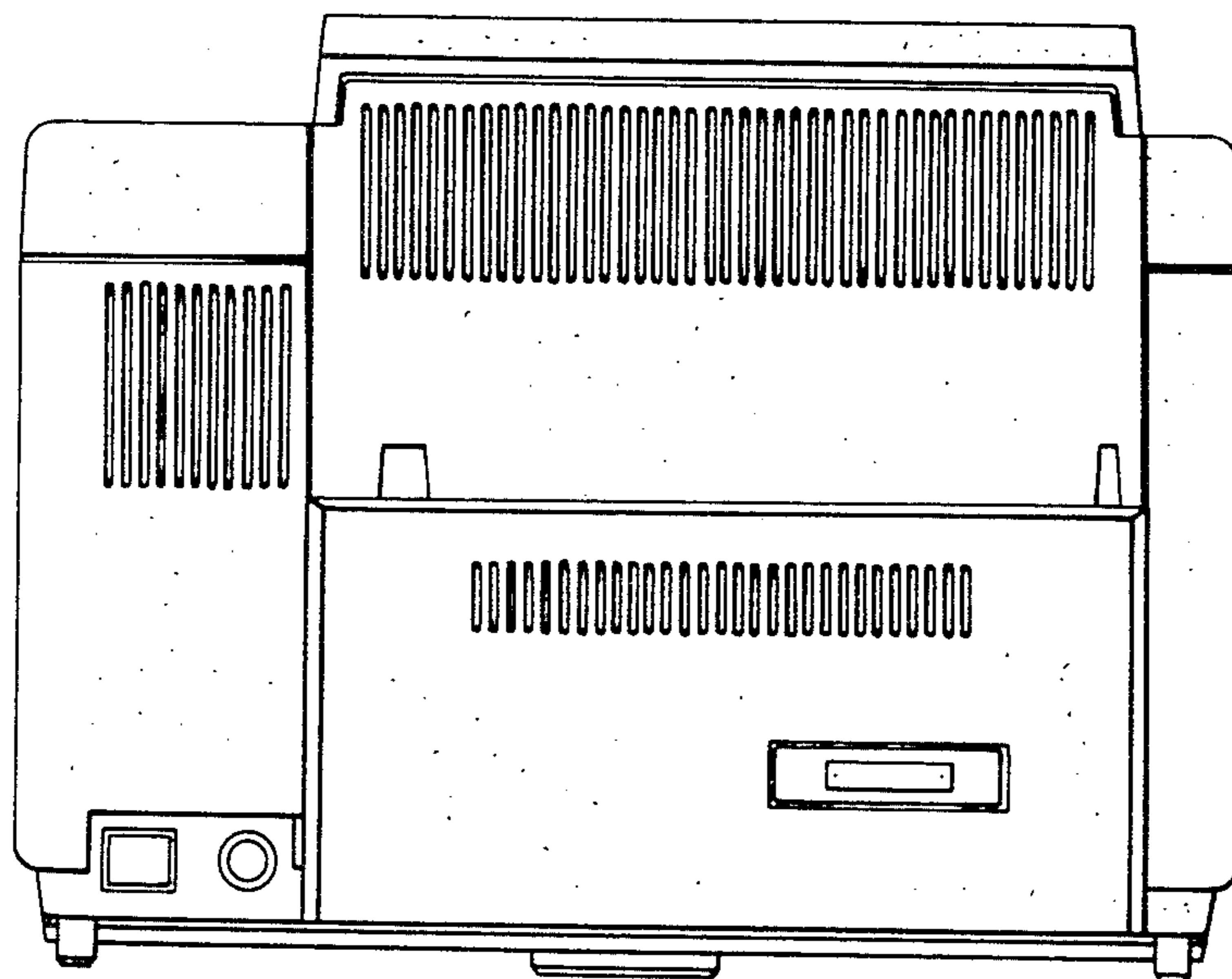


FIG. 7

