

[54] DISPLAY FOR ELECTRONIC TYPEWRITER OR SIMILAR ARTICLE

[75] Inventor: James P. Wang, Lexington, Ky.

[73] Assignee: International Business Machines Corporation, Armonk, N.Y.

[**] Term: 14 Years

[21] Appl. No.: 602,106

[22] Filed: Apr. 19, 1984

[52] U.S. Cl. D18/12; D14/113

[58] Field of Search D14/100, 106, 107, 113, D14/114; D18/1, 7, 12; 340/700, 711; 358/254, 248, 249; 312/7.2

[56] References Cited

U.S. PATENT DOCUMENTS

D. 266,762	11/1982	Gibson	D14/113
D. 274,728	7/1984	Shibata	D14/113
D. 282,164	1/1986	Krop	D14/113 X
4,528,597	7/1985	Klein	358/254

OTHER PUBLICATIONS

IBM® Technical Disclosure Bulletin, vol. 23, No. 6, 11-1980, p. 2339, Schaum, Variable Tilt Gas Panel.

IBM® Technical Disclosure Bulletin, vol. 24, No. 7B, 12-1981, p. 3981, Wang, CRT Mounting for Typewriter.

Primary Examiner—Susan J. Lucas

Attorney, Agent, or Firm—Laurence R. Letson

[57] CLAIM

The ornamental design for a display for electronic typewriter or similar article, as shown and described.

DESCRIPTION

FIG. 1 is a left front perspective view of the display for electronic typewriter or similar article showing my new design;

FIG. 2 is a right rear perspective view thereof;

FIG. 3 is a lower right rear perspective view thereof;

FIG. 4 is a lower left rear perspective view thereof;

FIG. 5 is a bottom left perspective view thereof.

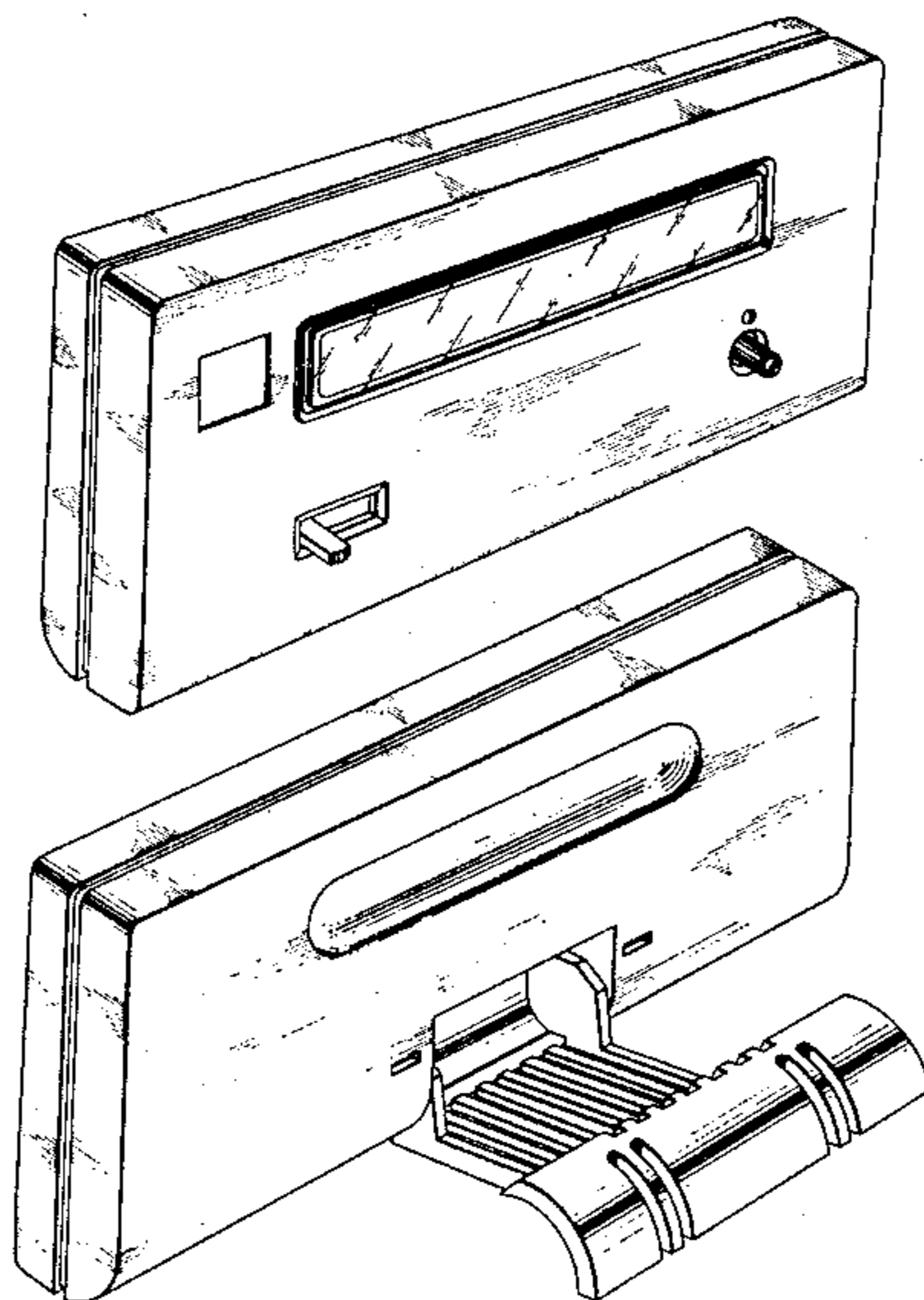


FIG. 1

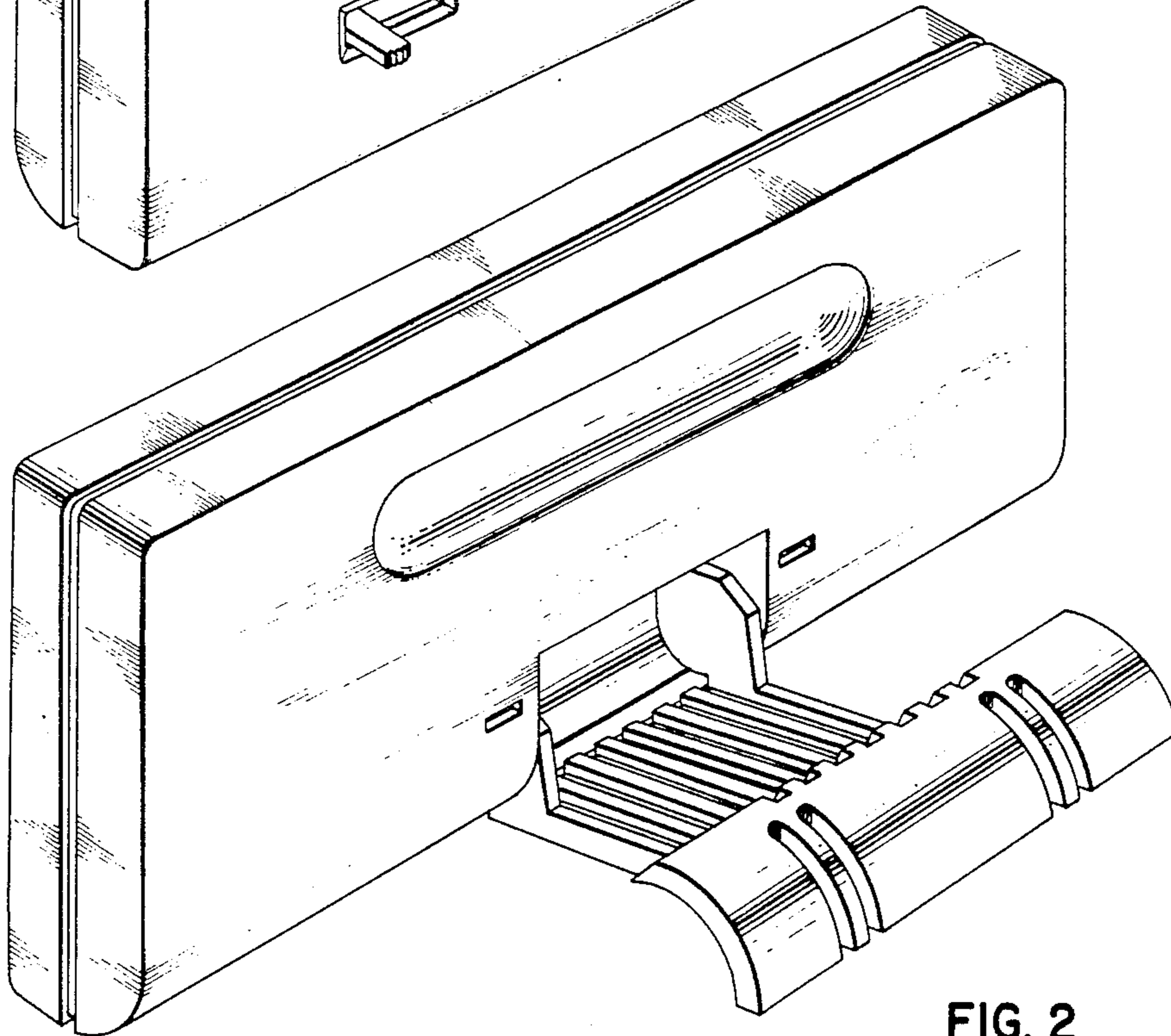
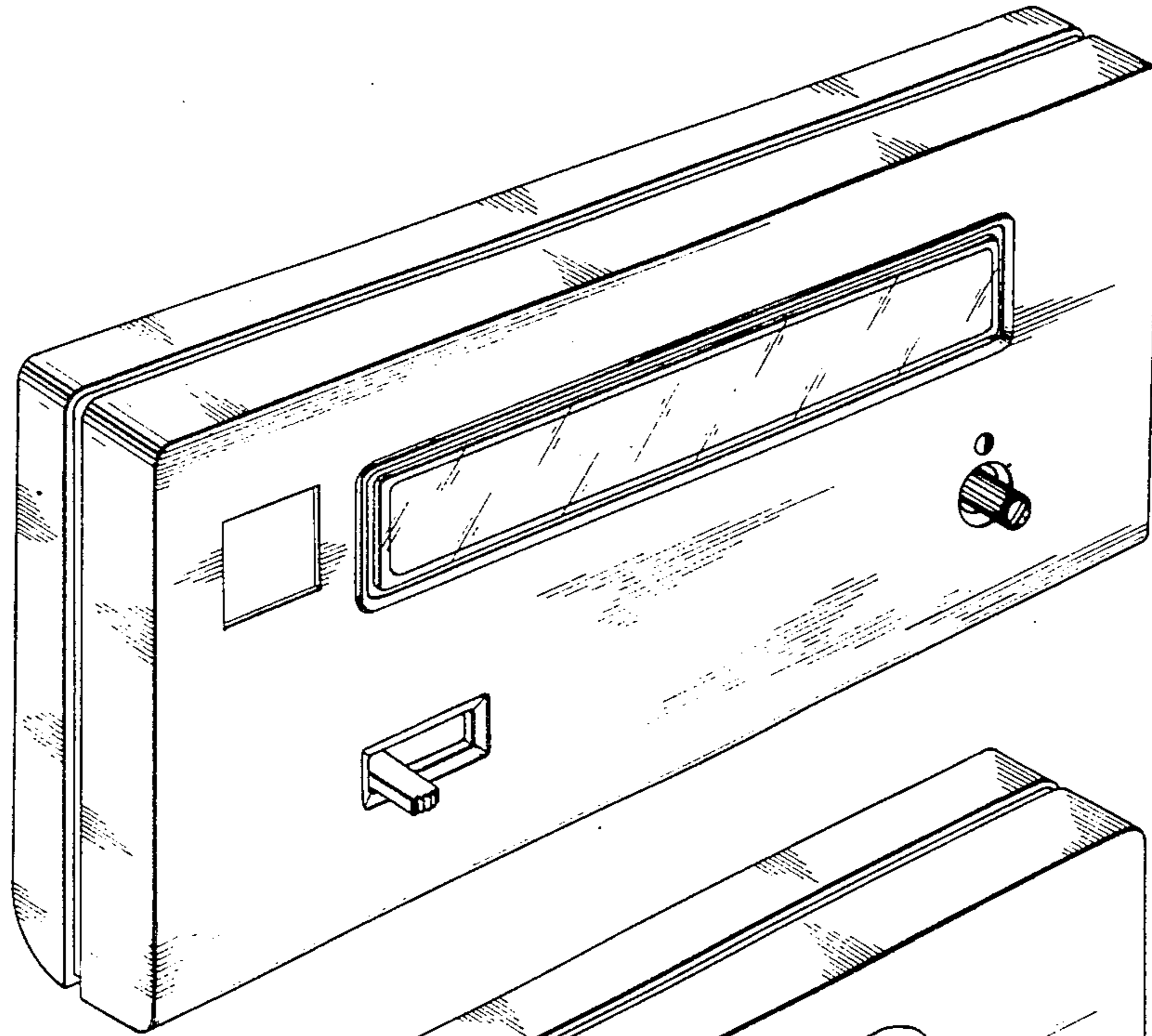


FIG. 2

FIG. 3

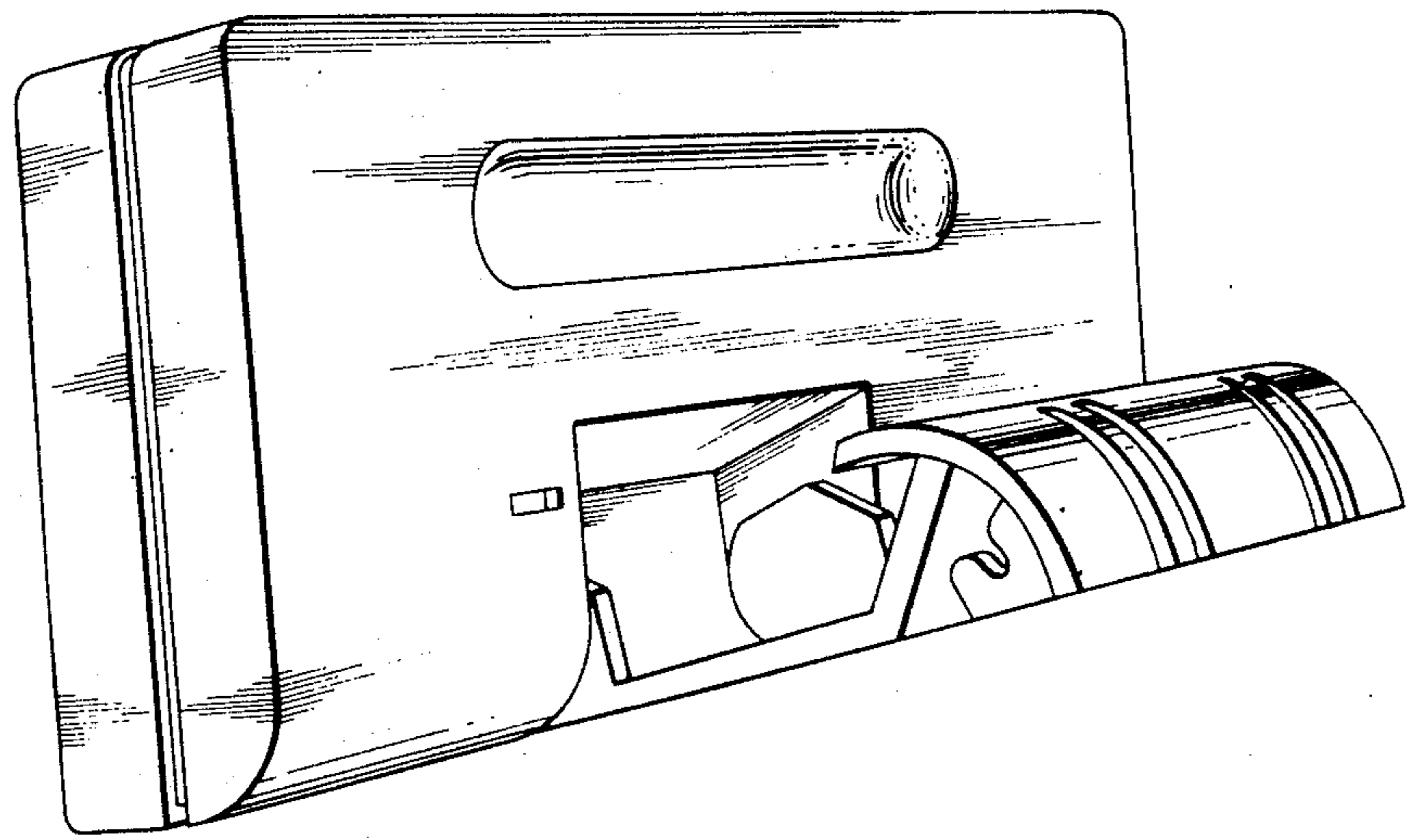


FIG. 4

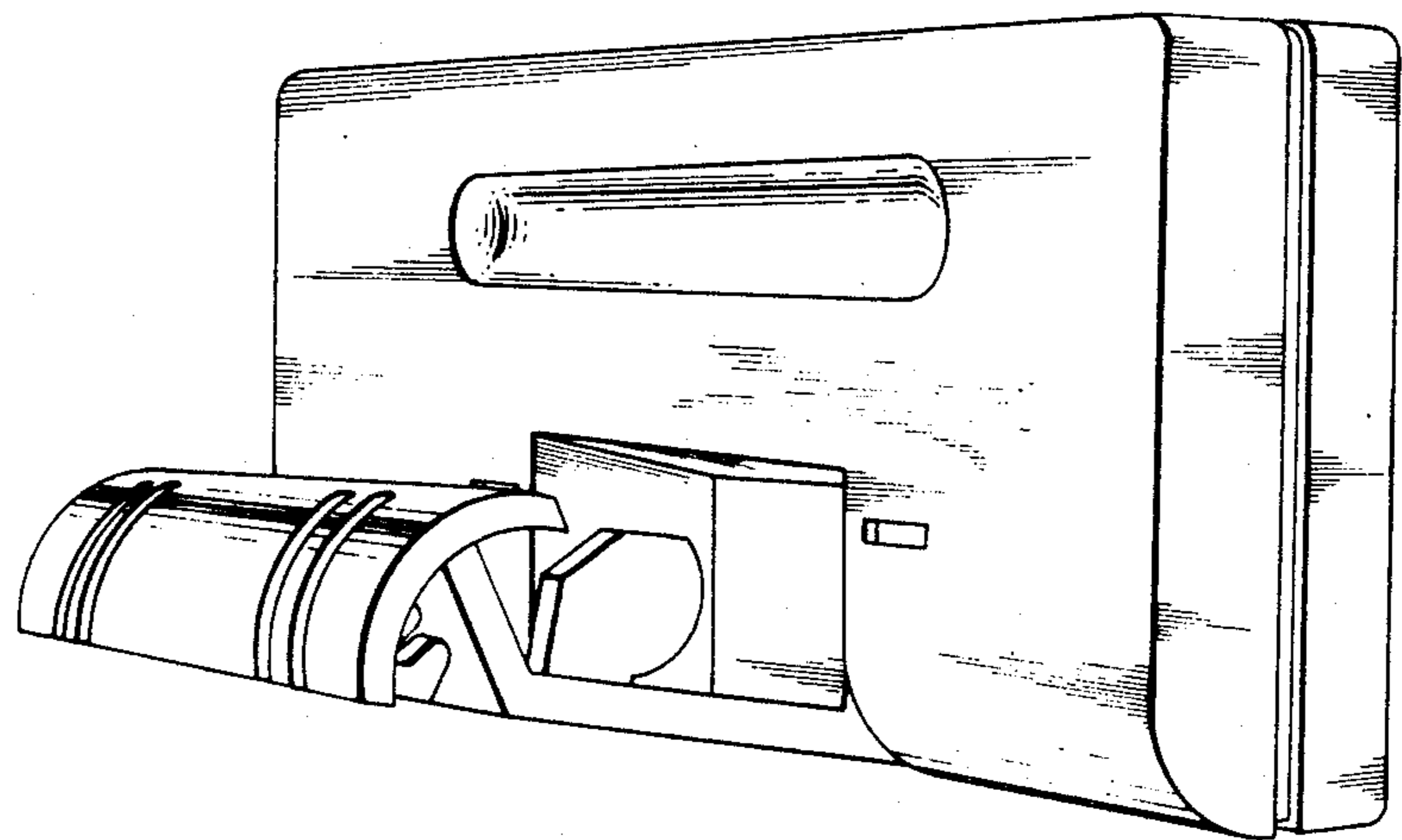


FIG. 5

