

[54] COMBINED BEAM SPLITTER AND OPTICAL COUPLER FOR CONNECTING A LIGHT SOURCE TO A TELEVISION CAMERA DURING SURGICAL PROCEDURES

3,905,684 9/1975 Cook et al. 350/171 X
4,192,591 3/1980 Yobaccio 354/79 X

Primary Examiner—Susan J. Lucas
Assistant Examiner—C. E. Heflin
Attorney, Agent, or Firm—Arthur L. Plevy

[75] Inventors: Richard E. Feinbloom, New York; Lung T. Yee, Brooklyn, both of N.Y.

[57] CLAIM

[73] Assignee: Designs for Vision, Inc., Ronkonkoma, N.Y.

The ornamental design for a combined beam splitter and optical coupler for connecting a light source to a television camera during surgical procedures, substantially as shown and described.

[**] Term: 14 Years

DESCRIPTION

[21] Appl. No.: 577,202

FIG. 1 is a perspective view of a combined beam splitter and optical coupler for connecting a light source to a television camera during surgical procedures showing our new design;

[22] Filed: Feb. 6, 1984

[52] U.S. Cl. D16/130; D24/29

FIG. 2 is a front elevational view thereof;

[58] Field of Search D16/130-136;

350/171, 513, 96.15; 354/79; D24/8, 29

FIG. 3 is a rear elevational view thereof;

[56] References Cited

U.S. PATENT DOCUMENTS

3,399,612 9/1968 Korte 354/79
3,622,786 11/1971 Walker et al. 350/171 X
3,659,918 5/1972 Tan 350/171 X
3,860,813 1/1975 Herzog et al. 350/171 X

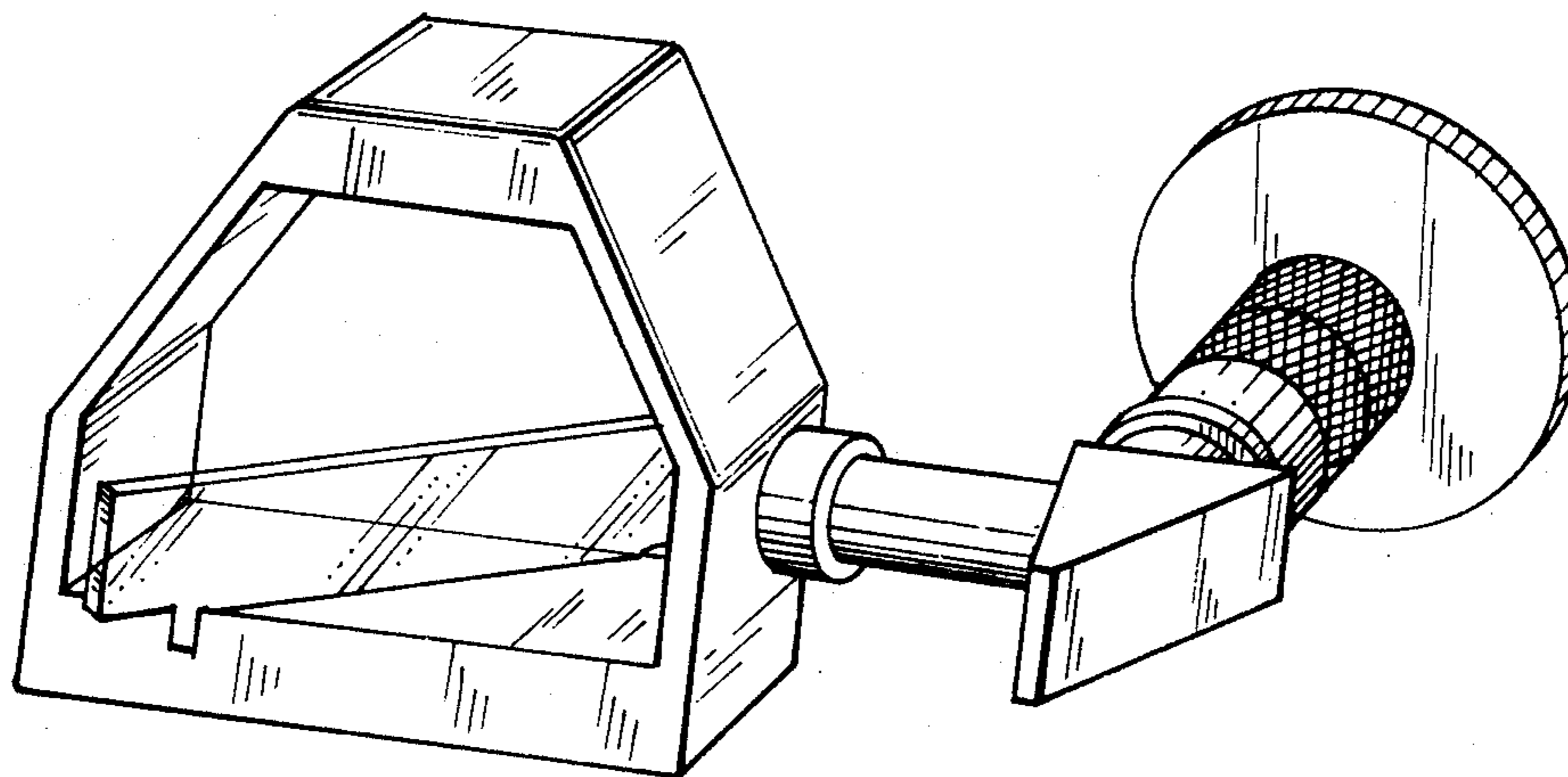
FIG. 4 is a left side view.

FIG. 5 is a right side elevational view thereof;

FIG. 6 is a top plan view thereof;

FIG. 7 is a bottom view.

FIG. 8 is a perspective plan view showing the apparatus as employed with associated components.



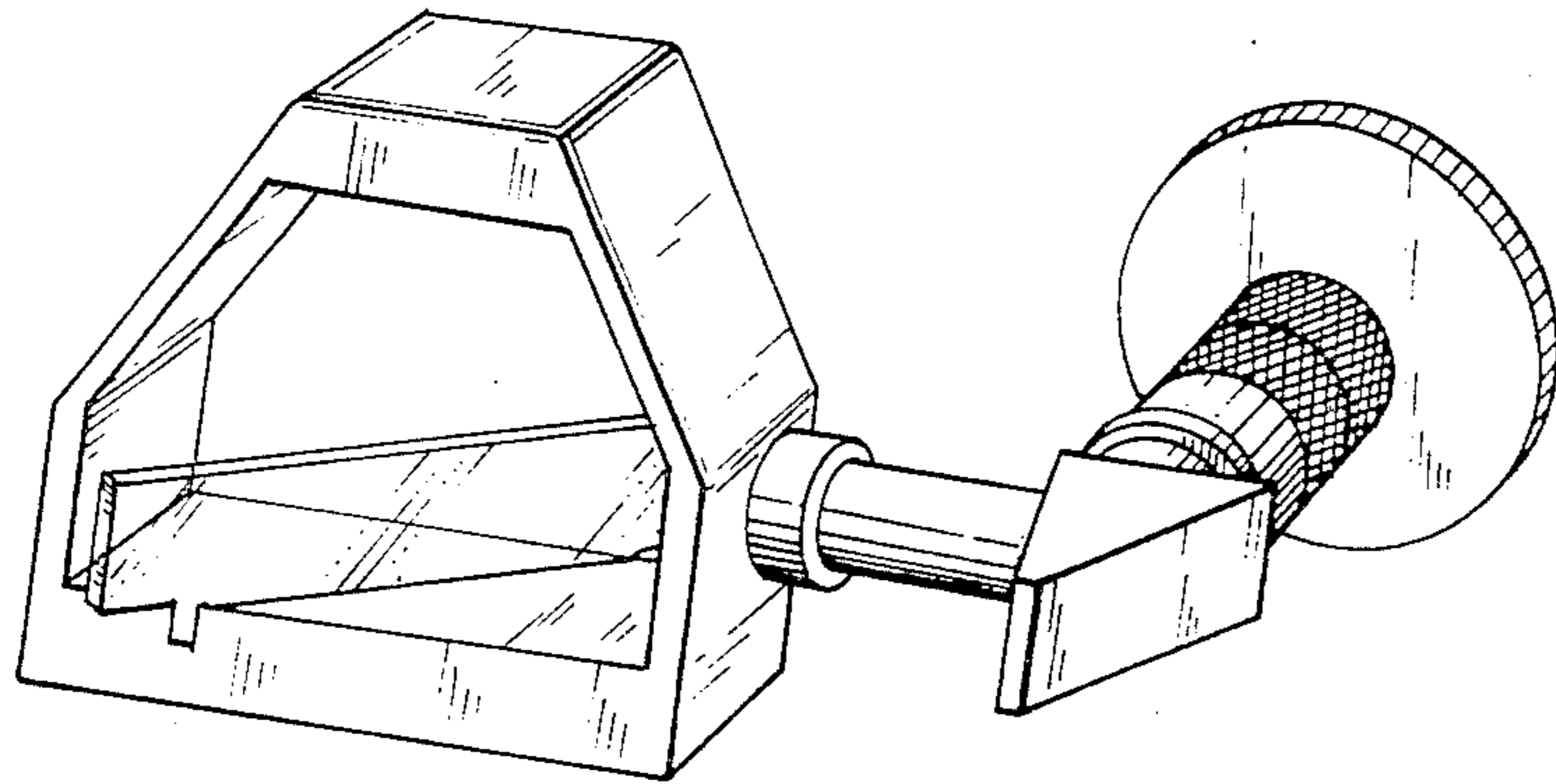


FIG. 1

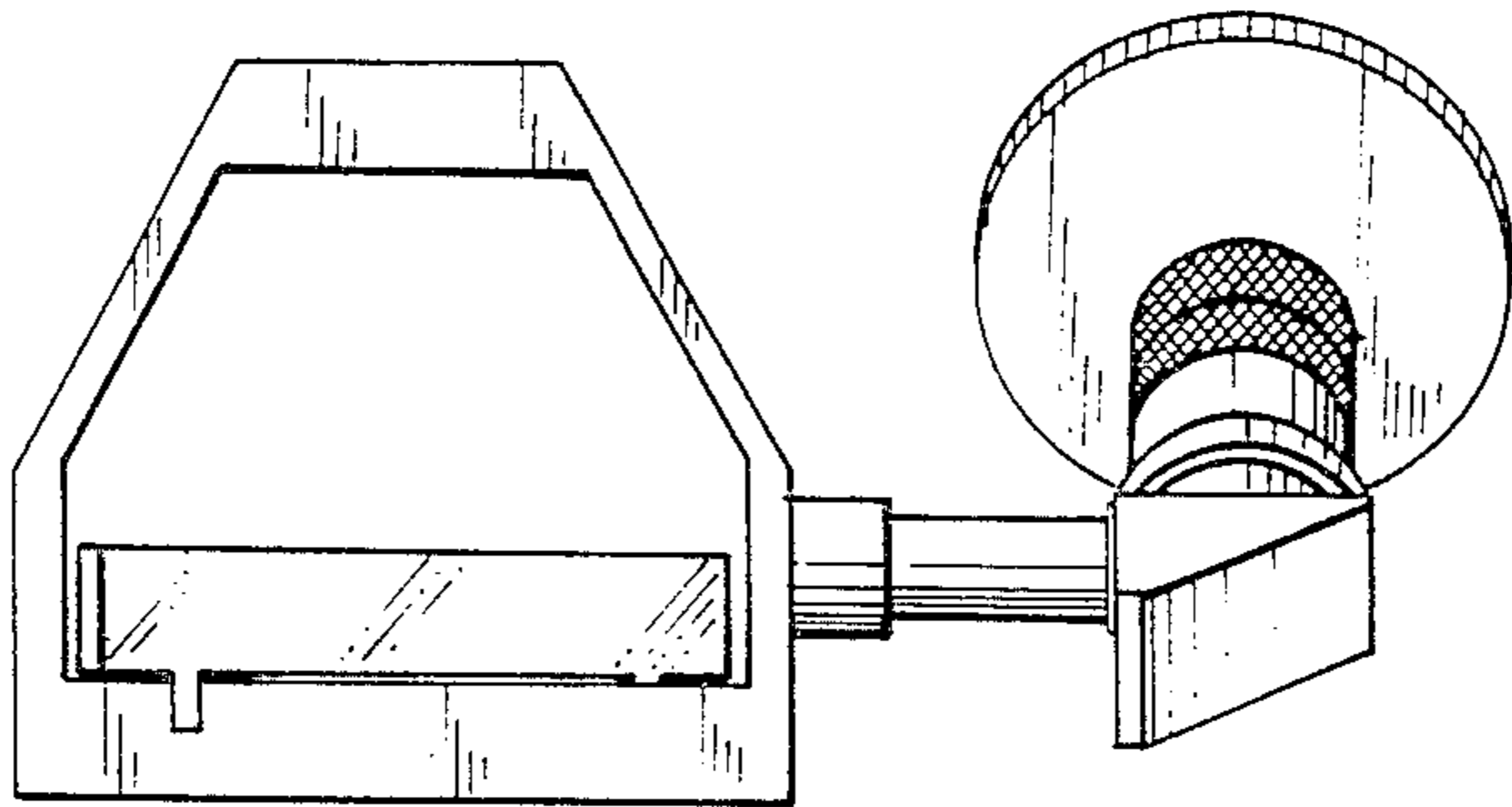


FIG. 2

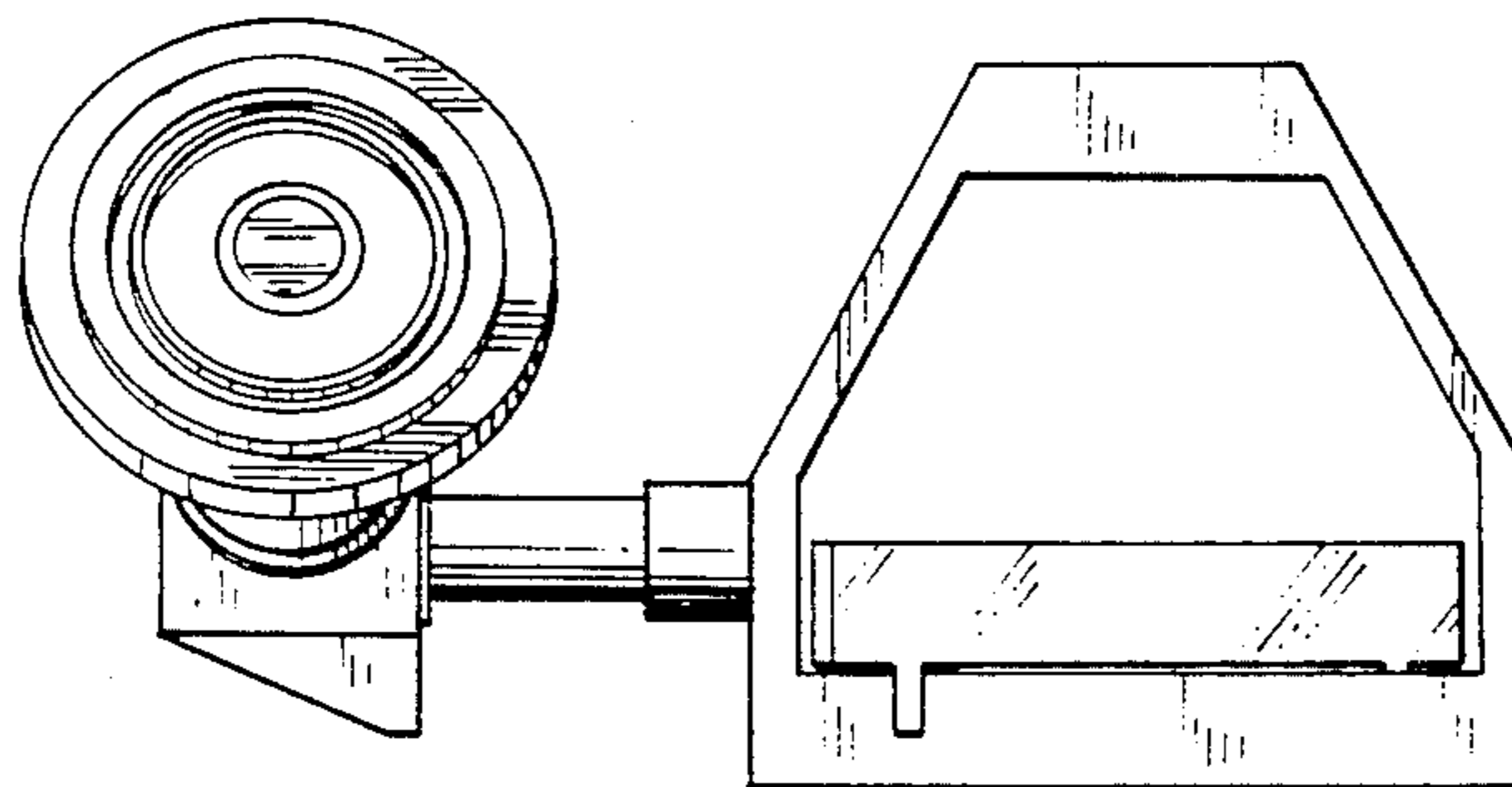


FIG. 3

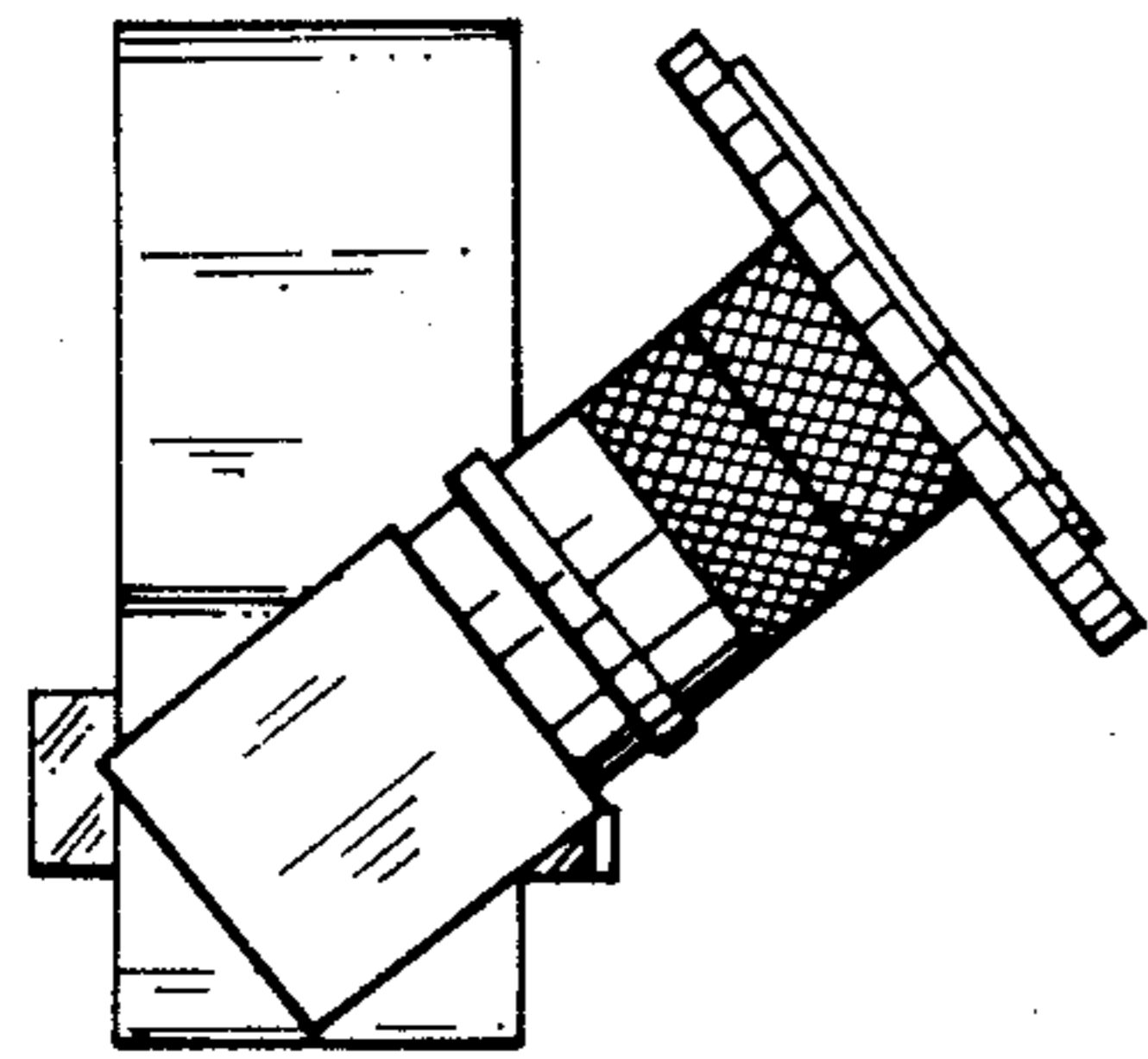


FIG. 4

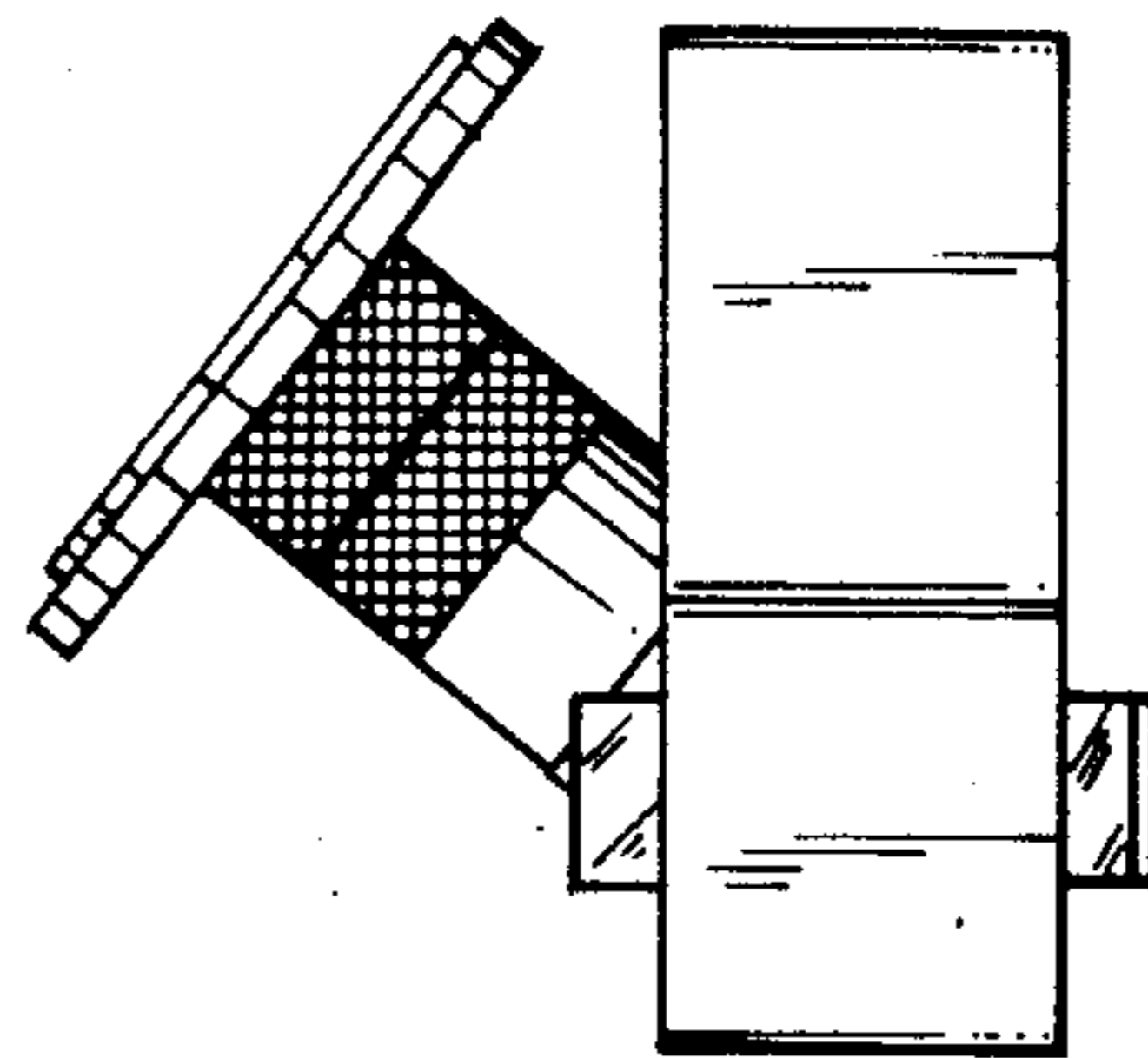


FIG. 5

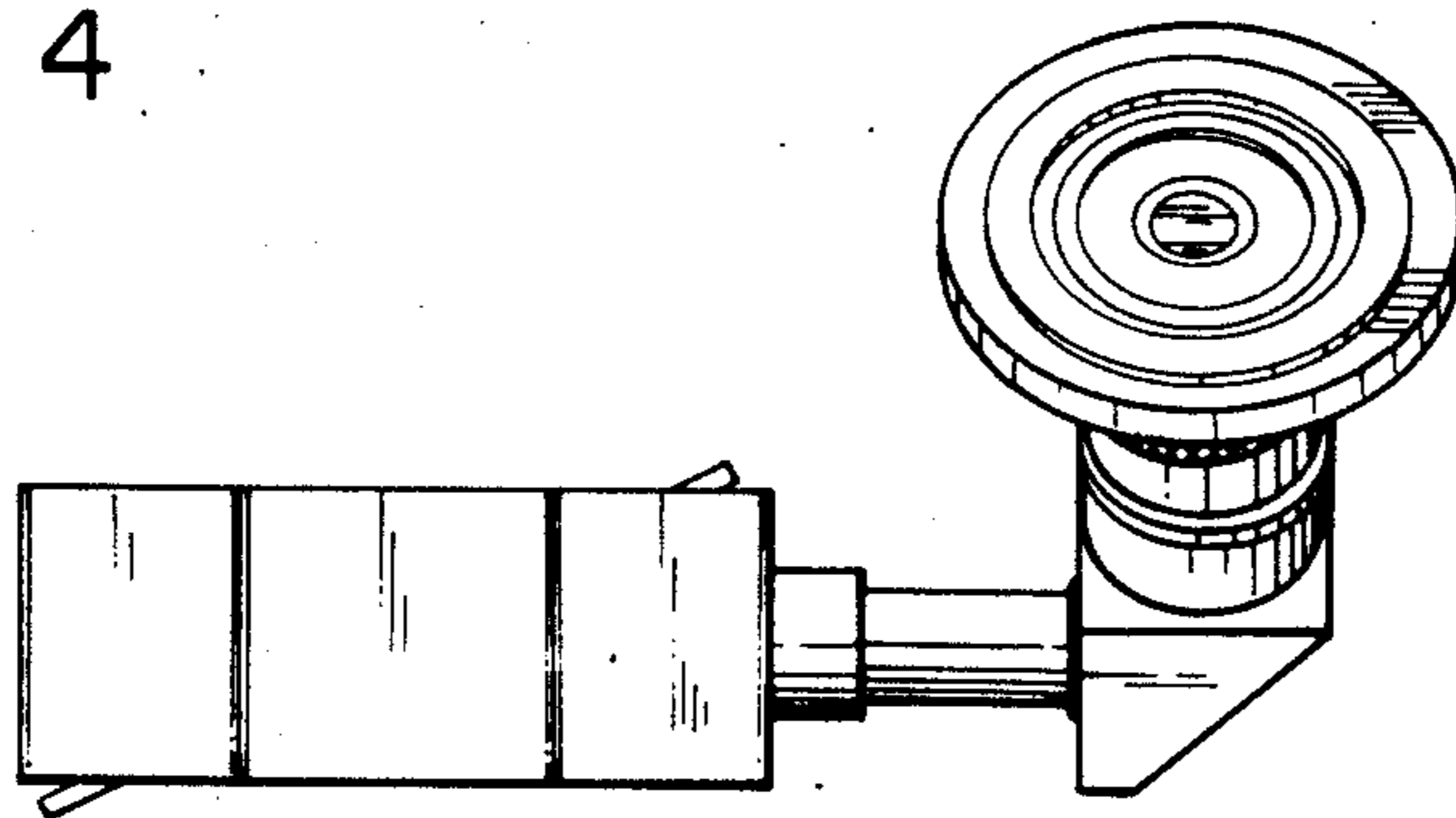


FIG. 6

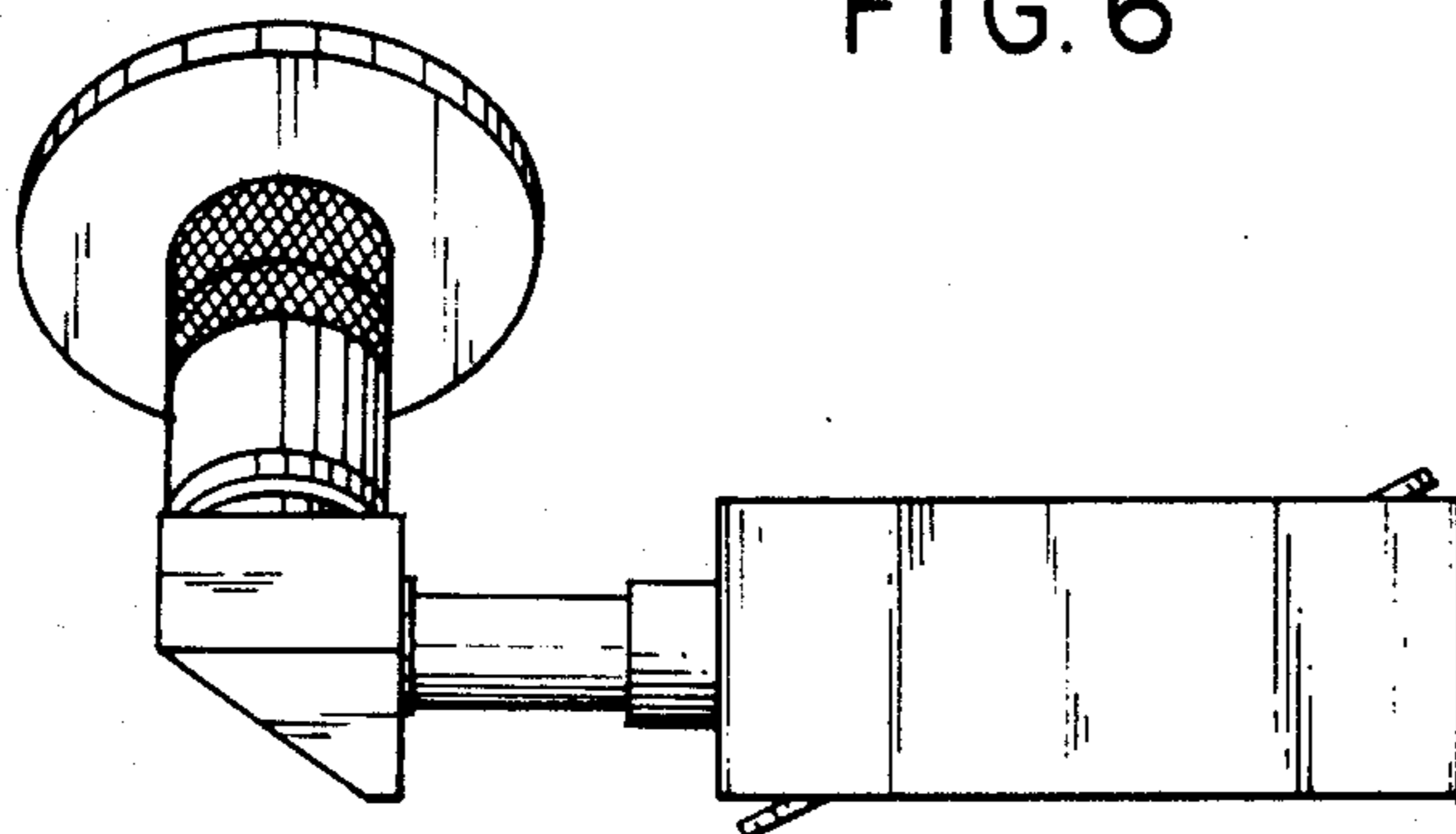


FIG. 7

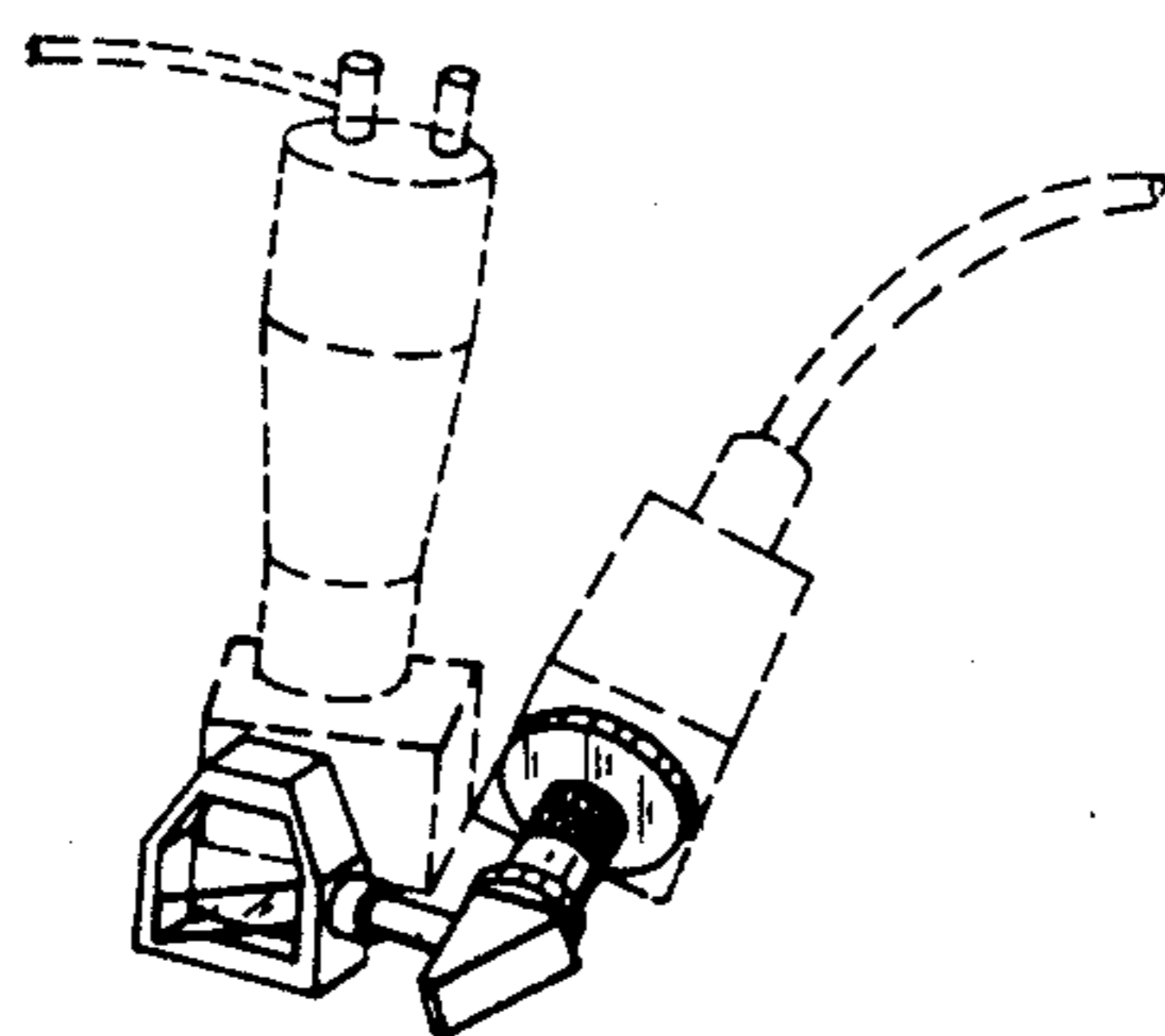


FIG. 8