

[54] CAMERA

[75] Inventors: Nobuhiro Ago; Takayuki Tsuboi, both of Yokohama, Japan

[73] Assignee: Canon Kabushiki Kaisha, Tokyo, Japan

[\*\*] Term: 14 Years

[21] Appl. No.: 725,550

[22] Filed: Apr. 22, 1985

[30] Foreign Application Priority Data

Nov. 28, 1984 [JP] Japan ..... 59-48869

[52] U.S. Cl. .... D16/6; D16/1

[58] Field of Search ..... D16/1-10; 354/187, 152-158, 202, 287, 288, 145.1, 149.11

[56] References Cited

U.S. PATENT DOCUMENTS

D. 221,025	6/1971	Fukuda	.....	D16/6
D. 271,880	12/1983	Agou	.....	D16/1
D. 271,881	12/1983	Kato	.....	D16/6
D. 279,573	7/1985	Agou	.....	D16/1
D. 284,579	7/1986	Io	.....	D16/6
4,557,574	12/1985	Kohno	.....	354/187
4,589,747	5/1986	Nakayama	.....	354/187 X

OTHER PUBLICATIONS

Popular Photography-6/83-p. 73-Camera at center.  
Modern Photography-10/84-p. 77-Camera at top-right.  
Popular Photography-11/84-p. 72, Camera at left.

Primary Examiner—Nelson C. Holtje  
Attorney, Agent, or Firm—Fitzpatrick, Cella, Harper & Scinto

[57] CLAIM

The ornamental design for a camera, as shown and described.

DESCRIPTION

FIG. 1 is a front elevational view of a camera showing our new design;  
FIG. 2 is a rear elevational view thereof;  
FIG. 3 is a top plan view thereof;  
FIG. 4 is a bottom plan view thereof;  
FIG. 5 is a left side elevational view thereof;  
FIG. 6 is a right side elevational view thereof;  
FIG. 7 is a left front perspective view thereof;  
FIG. 8 is a left front perspective view thereof with the flash in an extended position;  
FIG. 9 is a left front perspective view thereof with the lens barrier in the closed position.

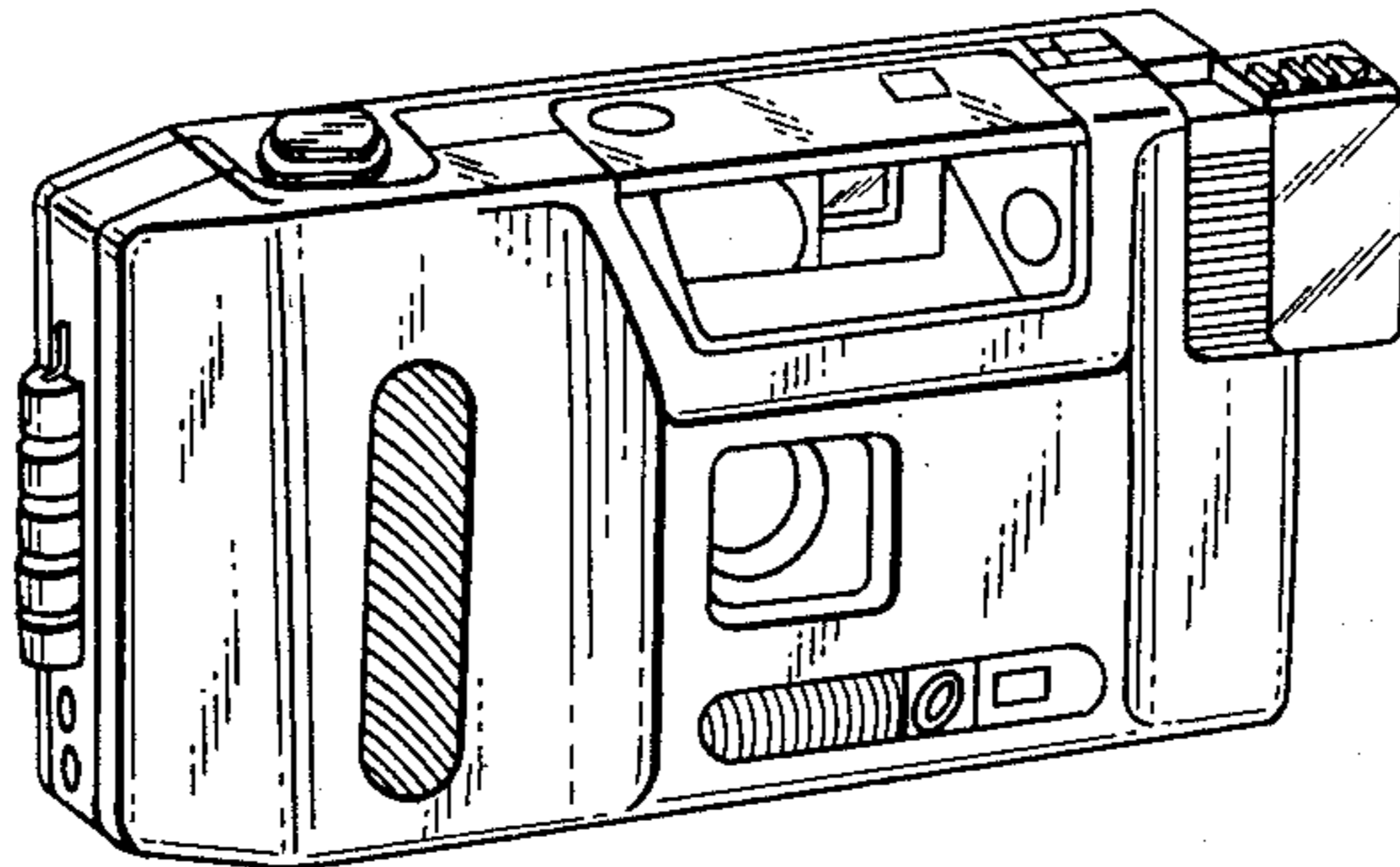


FIG. 1

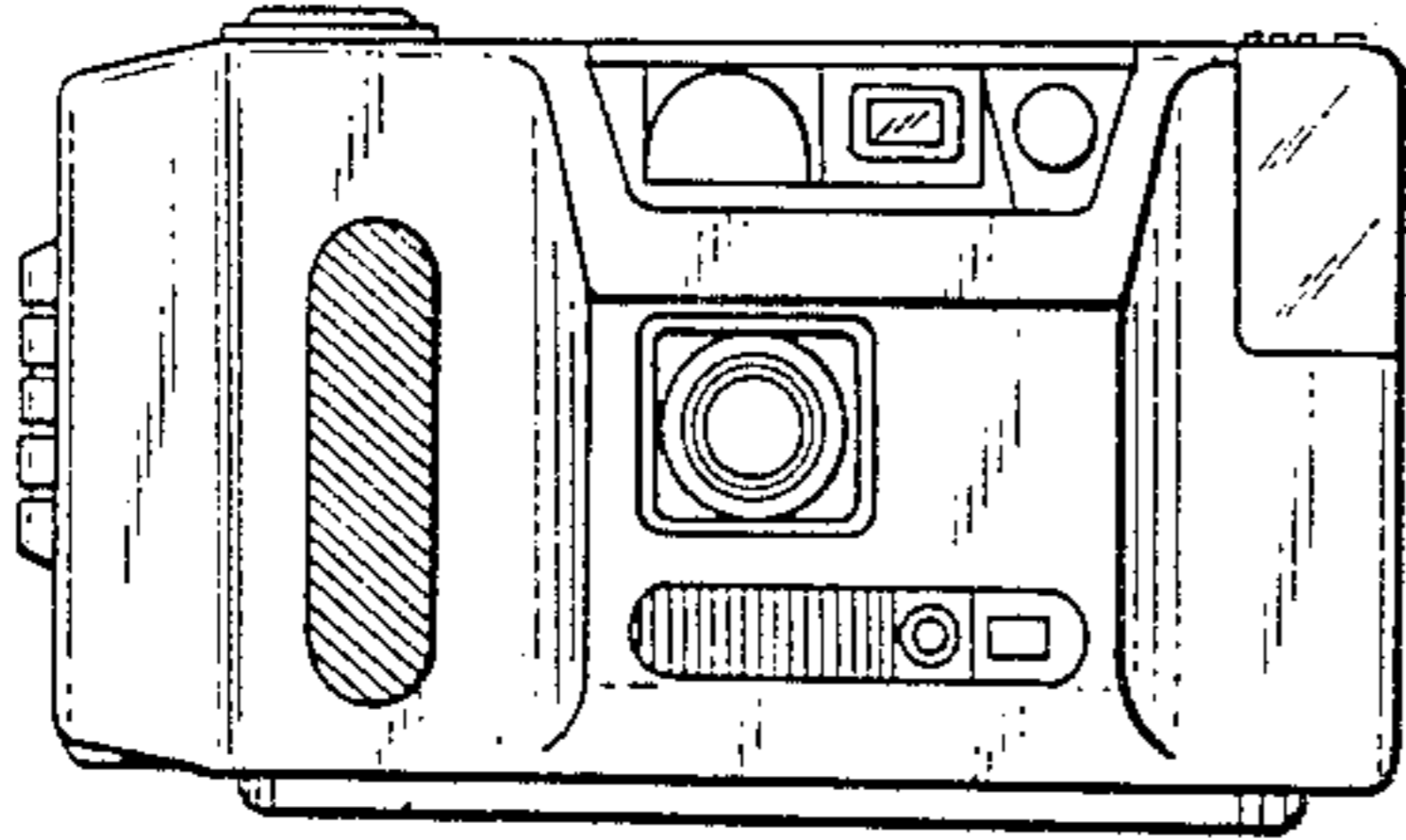


FIG. 2

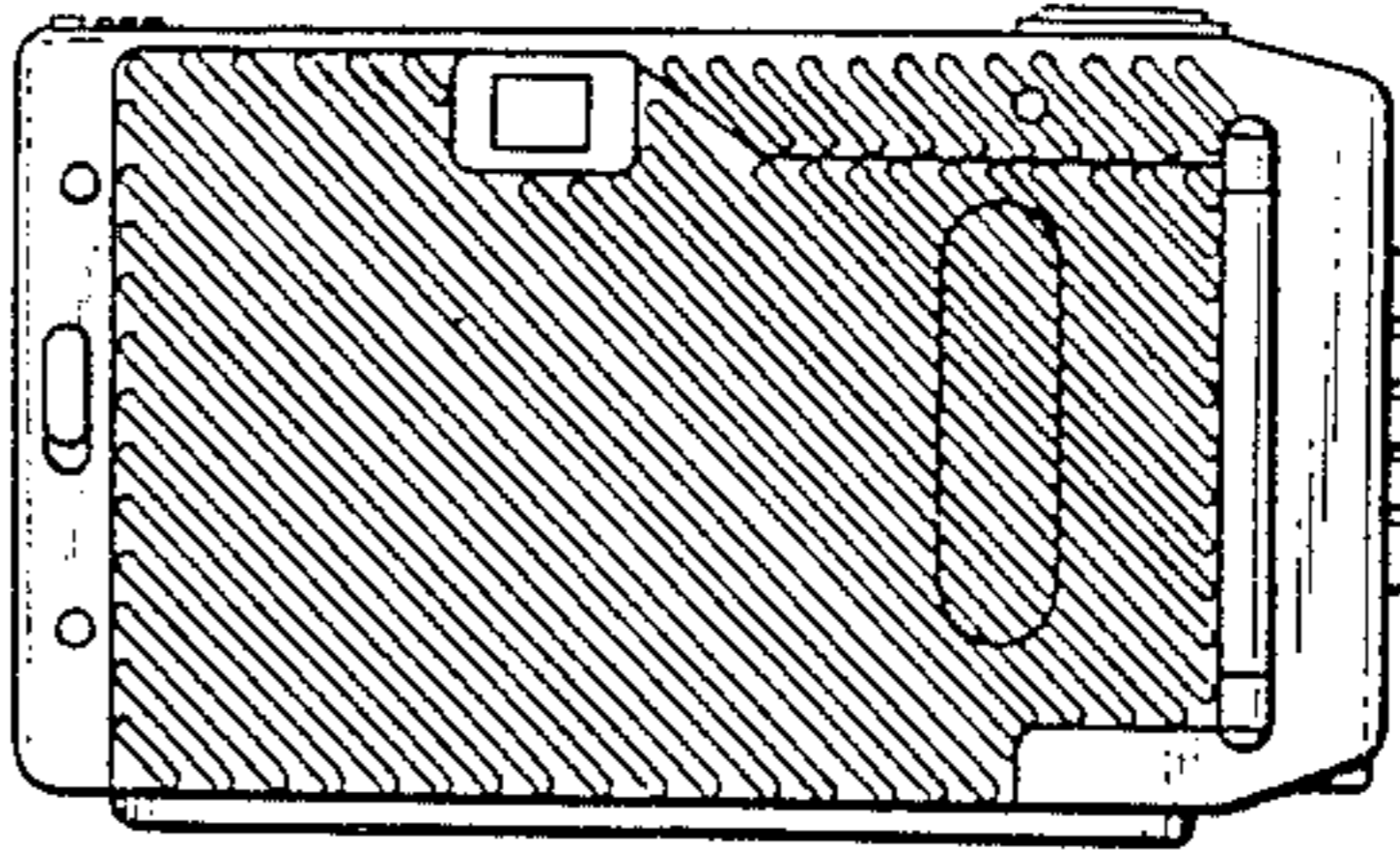


FIG. 3

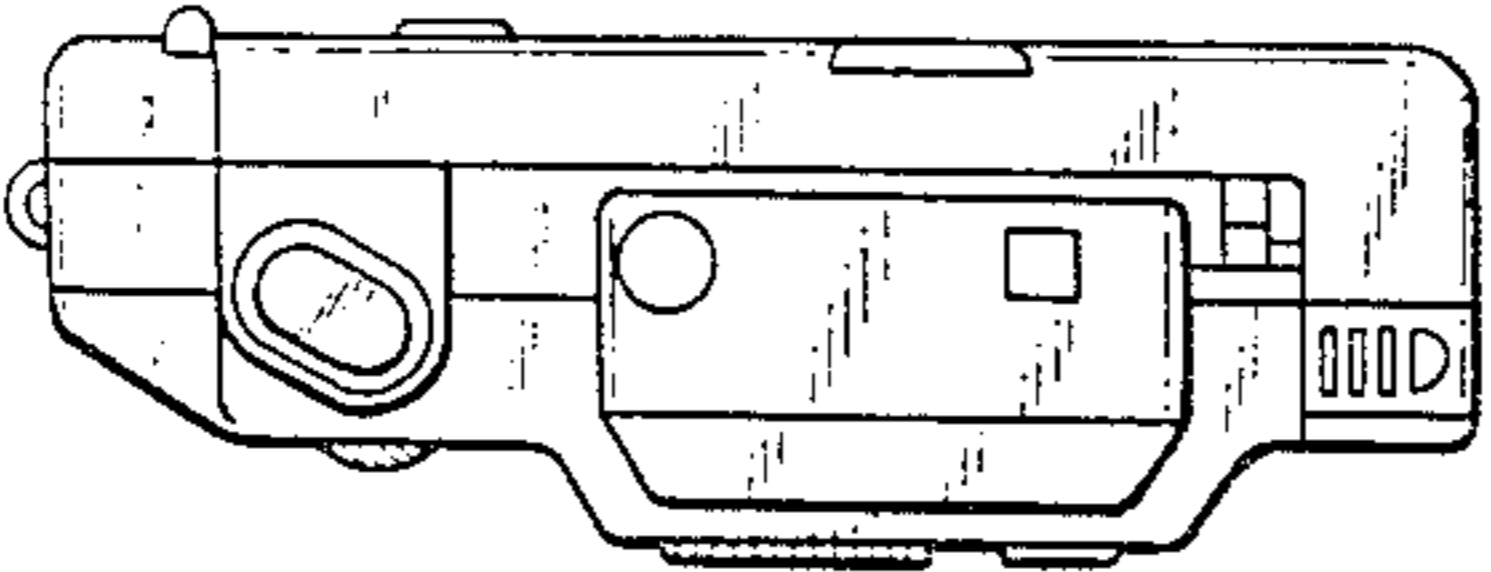


FIG. 4

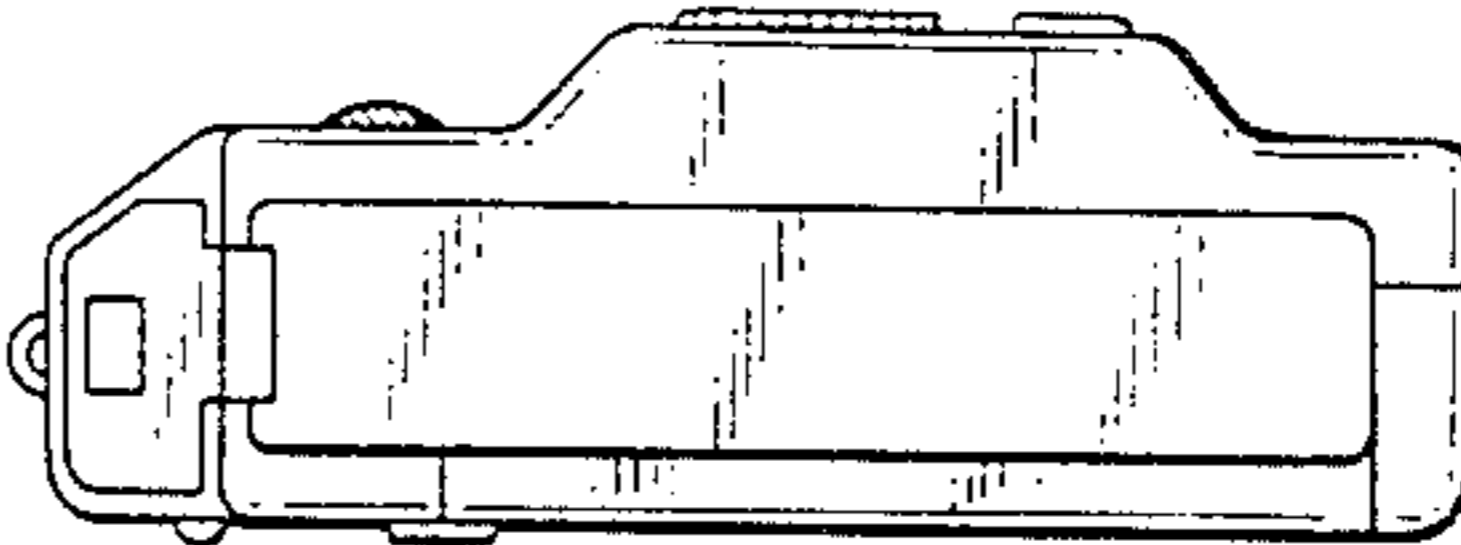


FIG. 5

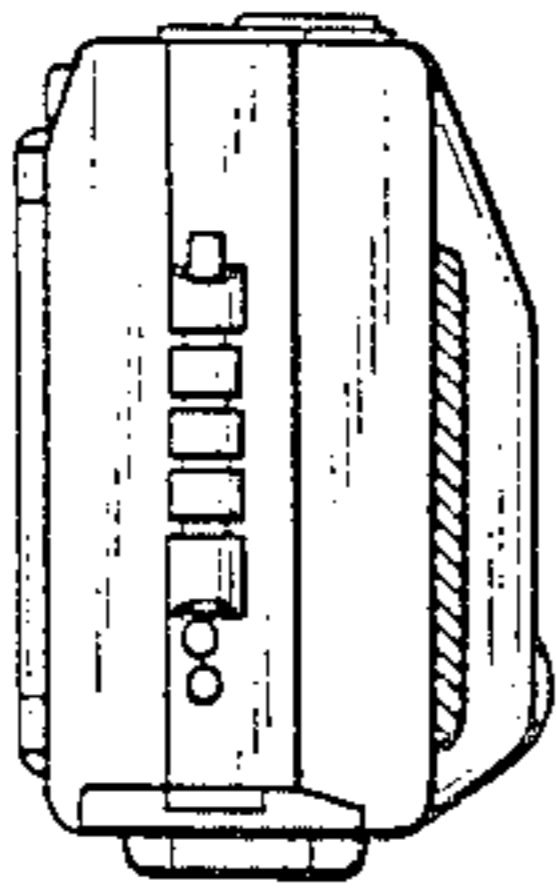


FIG. 6

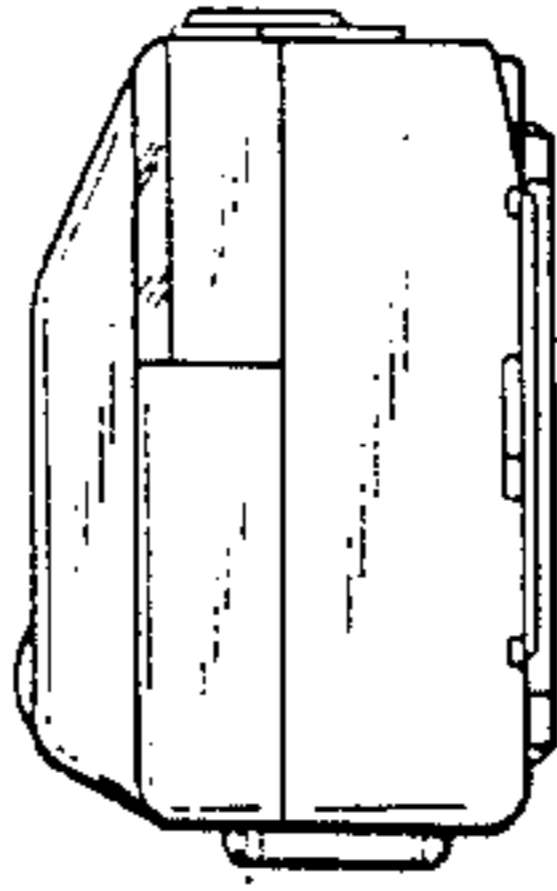


FIG. 7

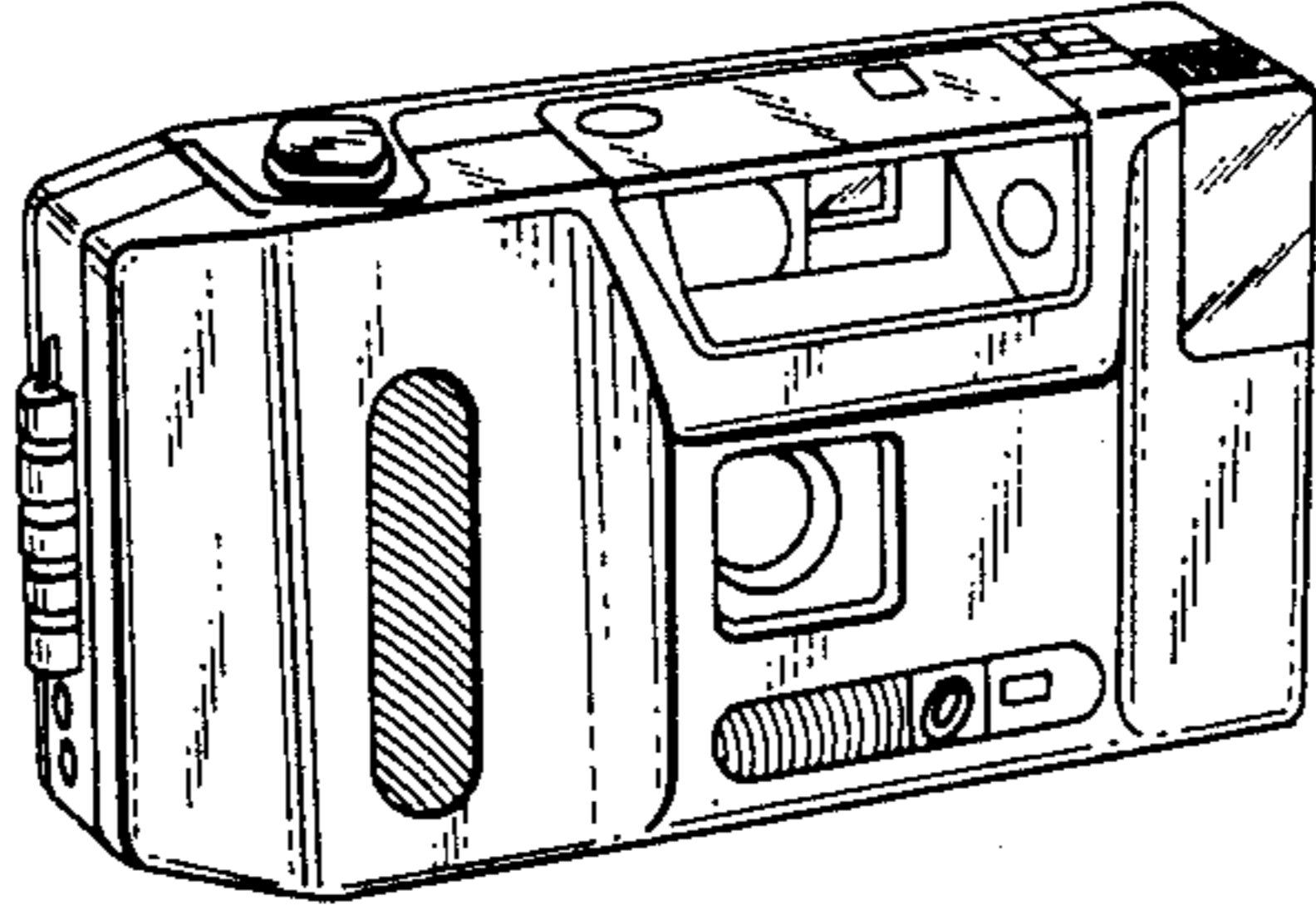


FIG. 8

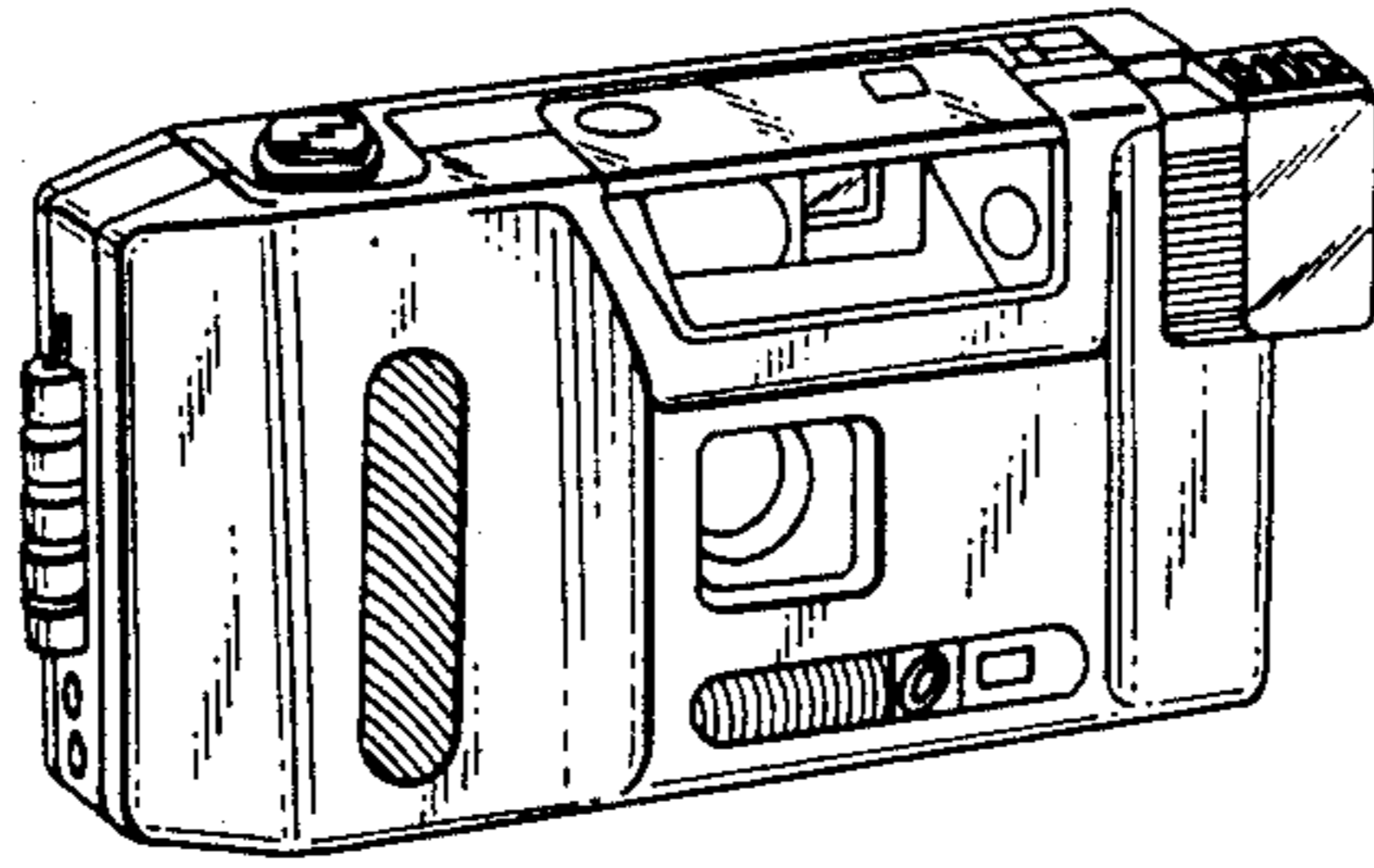


FIG. 9

