

[54] RAM FOR INDUSTRIAL ROBOTS OR THE LIKE

[75] Inventor: Yoji Ise, Tokyo, Japan

[73] Assignee: Myotoku Ltd., Tokyo, Japan

[**] Term: 14 Years

[21] Appl. No.: 669,291

[22] Filed: Nov. 8, 1984

[52] U.S. Cl. D15/199

[58] Field of Search D15/7, 122, 199; D23/14-16; 92/128, 130 R; 414/4; 901/22, 37, 41

[56]

References Cited

U.S. PATENT DOCUMENTS

- D. 173,065 9/1954 Darr D15/7
- D. 223,685 5/1972 McPherson D15/7 X
- D. 267,883 2/1983 Susnjara D15/199

- D. 273,870 5/1984 Kono et al. D15/199
- D. 280,727 9/1985 Rumbarger, Jr. et al. D15/7
- 3,420,148 1/1969 Doerfer et al. 92/130 R
- 3,687,016 8/1972 Thomas et al. 92/130 R
- 3,759,563 9/1973 Kitamura 901/37

Primary Examiner—James R. Largen

Attorney, Agent, or Firm—Biebel, French & Nauman

[57] CLAIM

The ornamental design for a ram for industrial robots or the like, substantially as shown and described.

DESCRIPTION

FIG. 1 is a perspective view of a ram for industrial robots or the like showing my new design; FIG. 2 is a front elevational view thereof; FIG. 3 is a rear elevational view thereof; FIG. 4 is a right side elevational view thereof, the left side being a mirror image of the right side shown; FIG. 5 is a top plan view thereof; and FIG. 6 is a bottom plan view thereof.

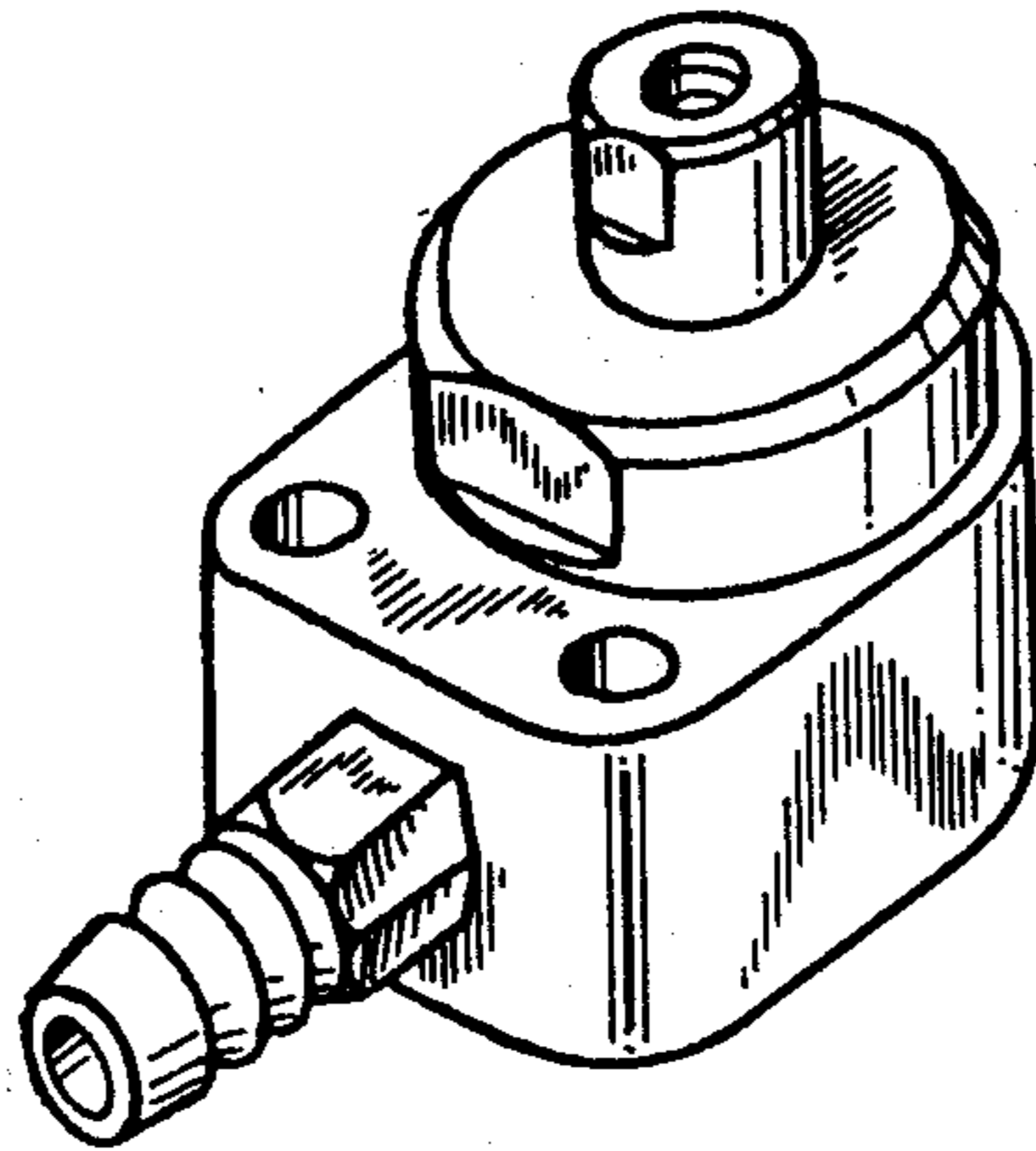


FIG-1

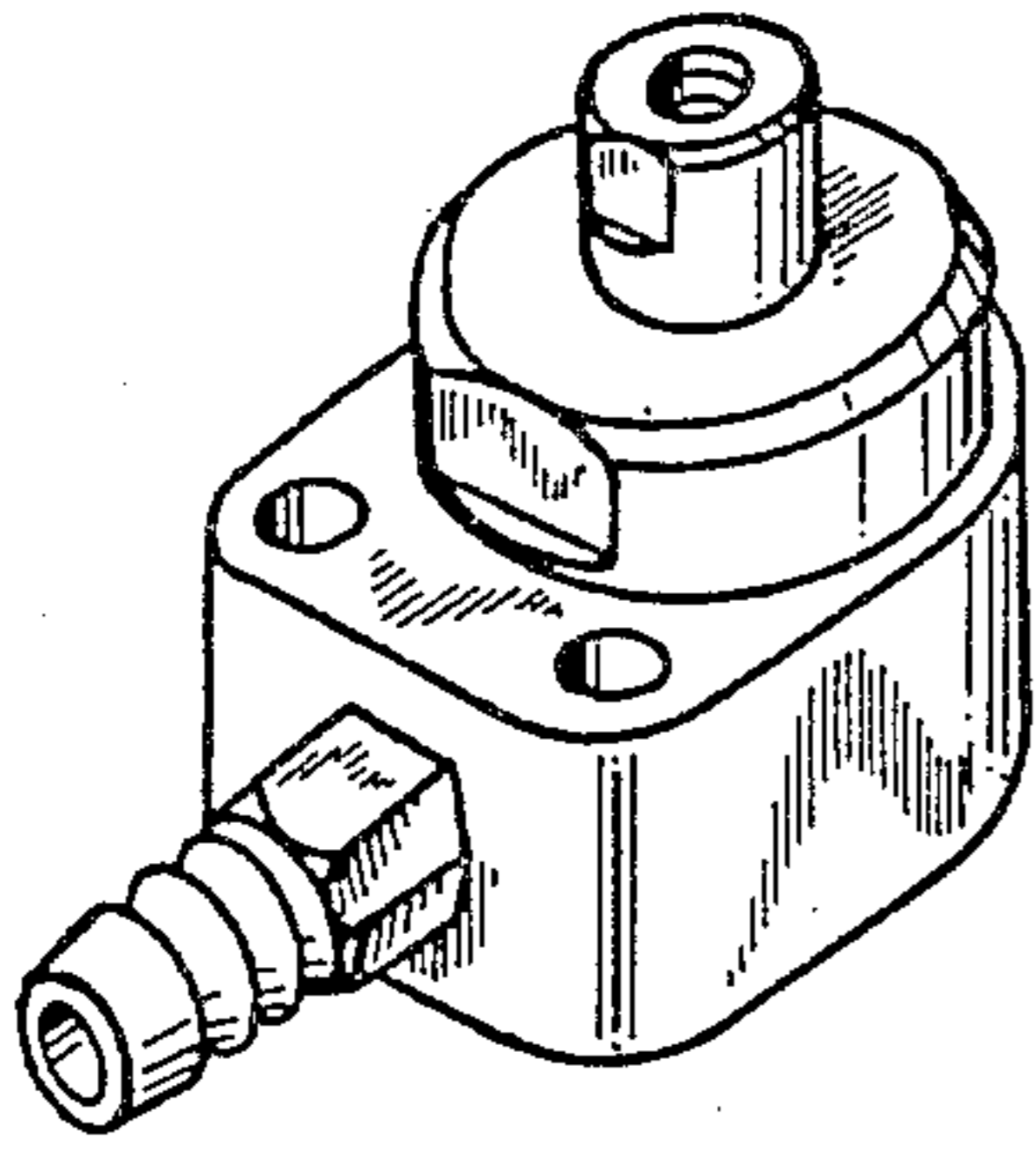


FIG-2

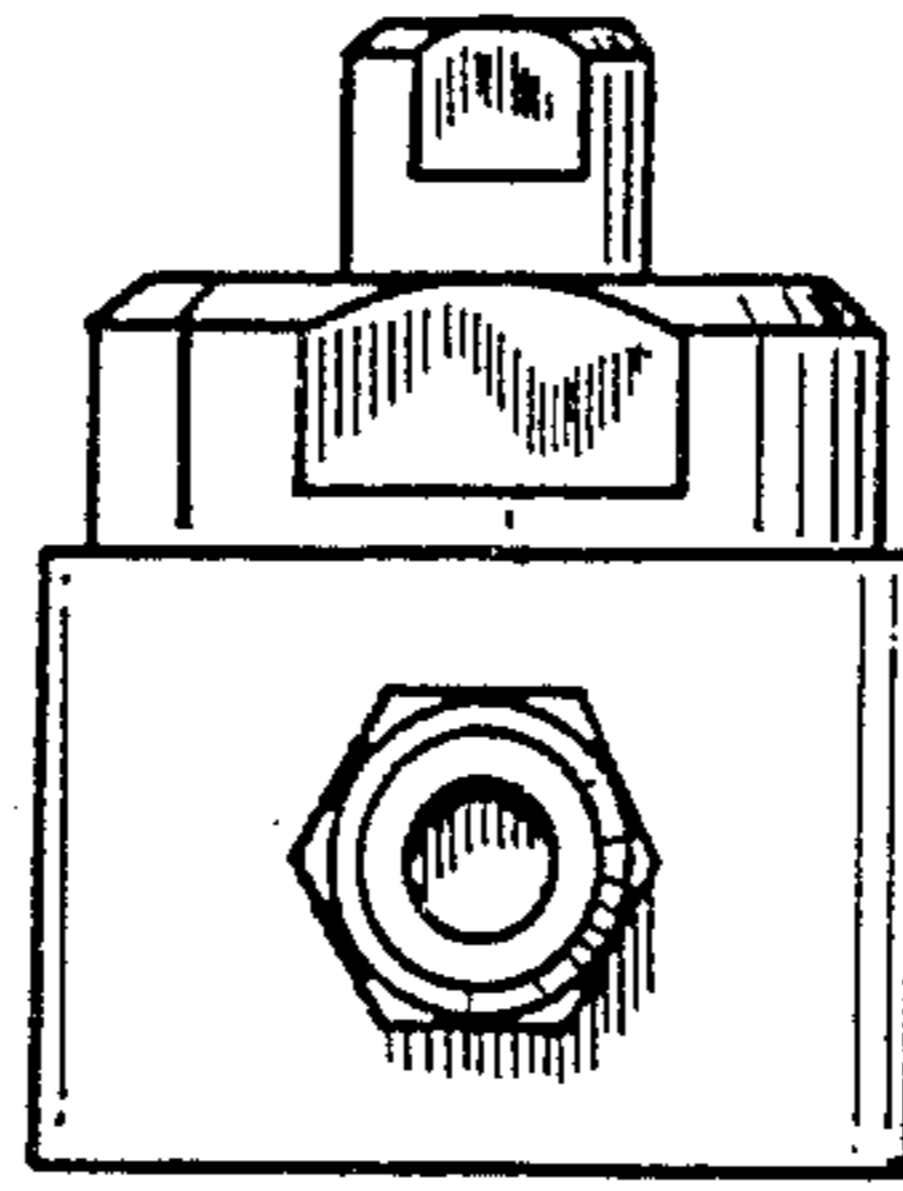


FIG-3

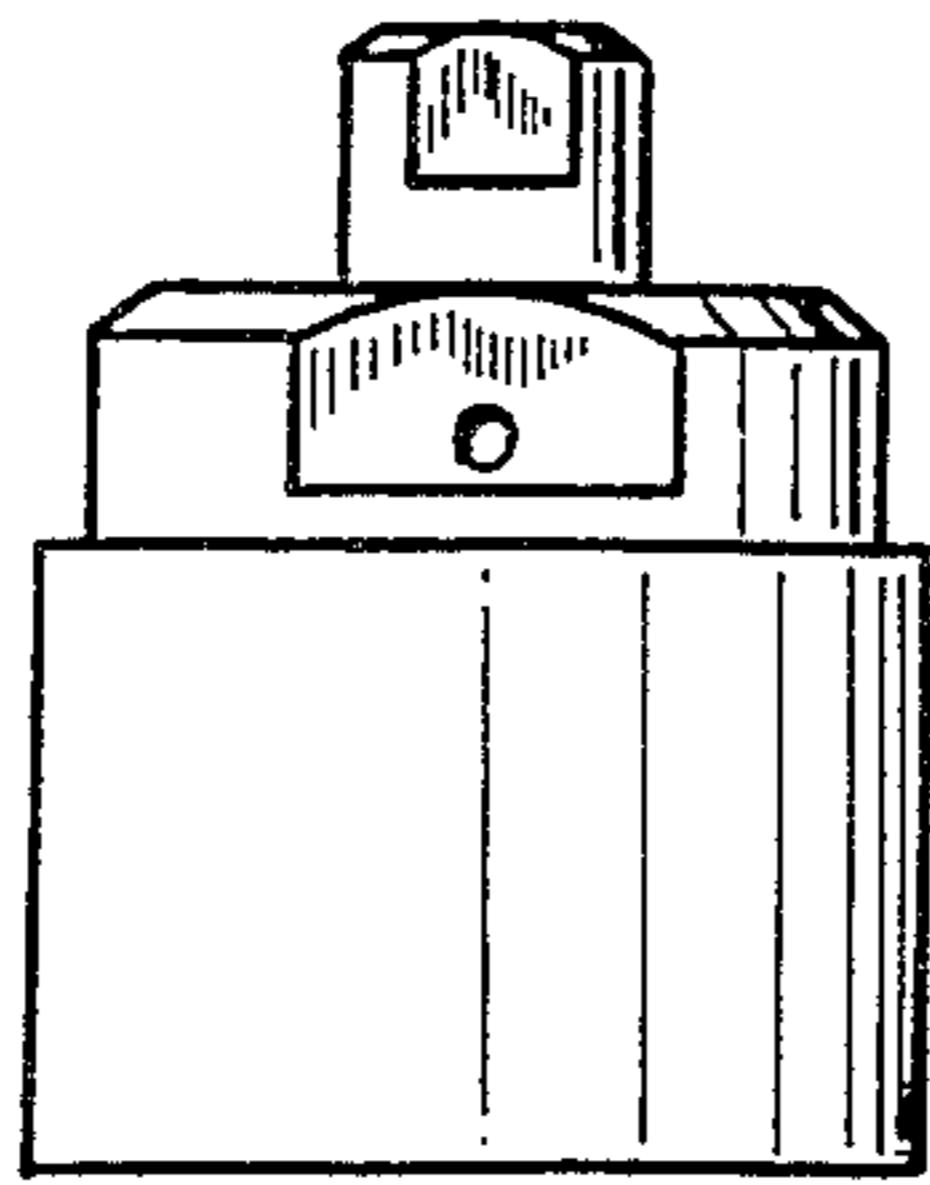


FIG-4

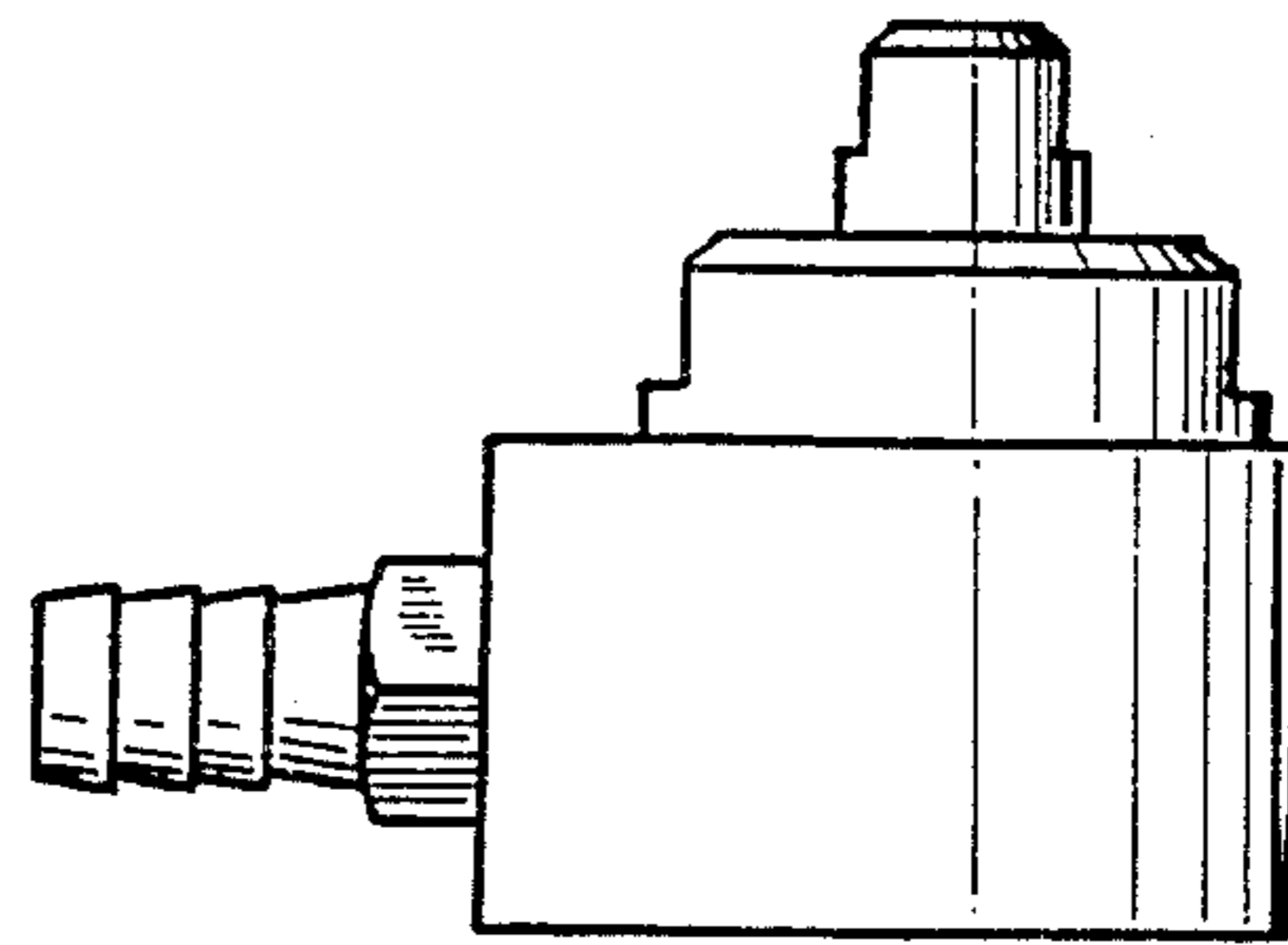


FIG-5

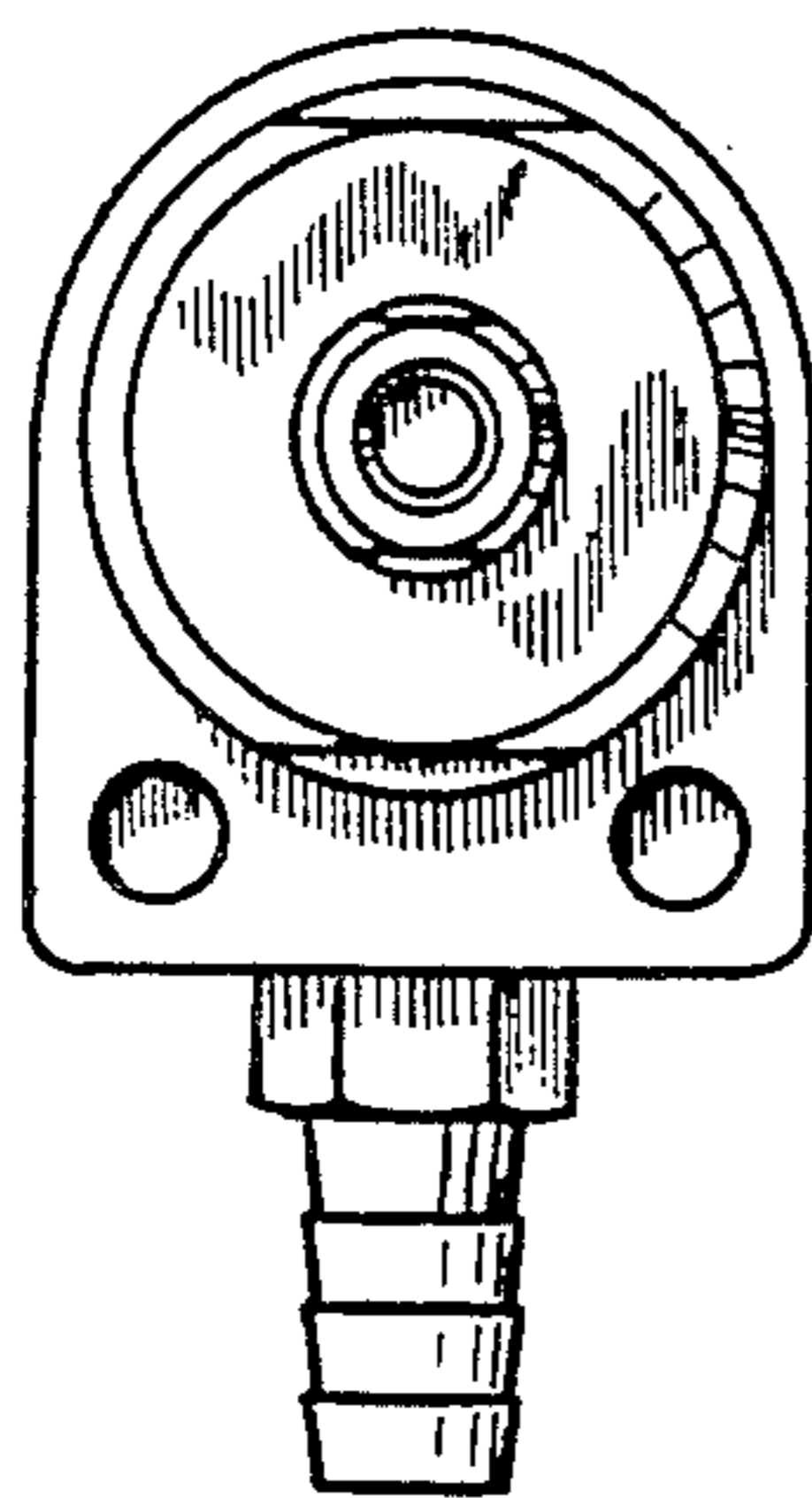


FIG-6

