

United States Patent [19]
Hanyu

[11] Patent Number: **Des. 291,088**
 [45] Date of Patent: **** Jul. 28, 1987**

[54] **SEWING MACHINE**

[75] Inventor: **Susumu Hanyu, Hachioji, Japan**

[73] Assignee: **Janome Sewing Machine Co. Ltd., Tokyo, Japan**

[*] Notice: **The portion of the term of this patent subsequent to Jun. 9, 2001 has been disclaimed.**

[**] Term: **14 Years**

[21] Appl. No.: **586,095**

[22] Filed: **Mar. 5, 1984**

[52] U.S. Cl. **D15/69**

[58] Field of Search **D15/70, 69; 112/63, 112/258-261**

[56]

References Cited

U.S. PATENT DOCUMENTS

D. 223,866 6/1972 Yamamoto **D15/69**
 D. 270,913 10/1983 Kosugi **D15/69**

D. 274,435 6/1984 Hanyu et al. **D15/69 X**
 D. 276,344 11/1984 La Police et al. **D15/69**
 3,066,627 12/1962 Schlosser et al. **112/260**
 4,220,103 9/1980 Kasahara et al. **112/260**
 4,314,517 2/1982 Kasahara **112/260**
 4,434,736 3/1984 Szostak et al. **112/258**

Primary Examiner—Bernard Ansher
Assistant Examiner—Linda Titolo
Attorney, Agent, or Firm—Michael J. Striker

[57] **CLAIM**

The ornamental design for a sewing machine, as shown and described.

DESCRIPTION

FIG. 1 is a front elevational view of a sewing machine showing my new design;
 FIG. 2 is a rear elevational view thereof;
 FIG. 3 is a left side elevational view thereof;
 FIG. 4 is a right side elevational view thereof;
 FIG. 5 is a top plan view thereof;
 FIG. 6 is a bottom plan view thereof; and
 FIG. 7 is a front perspective view thereof.

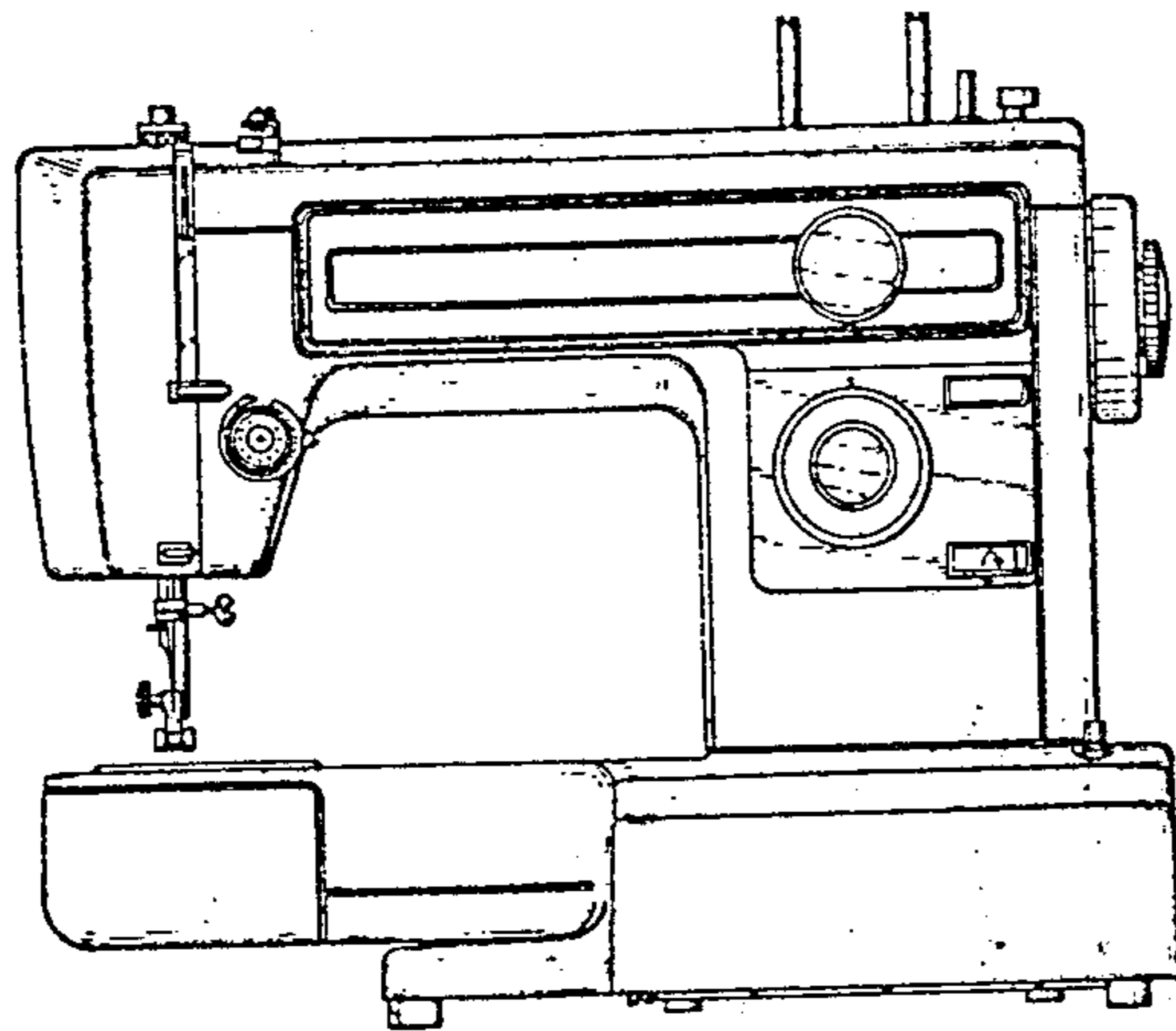


FIG. 1

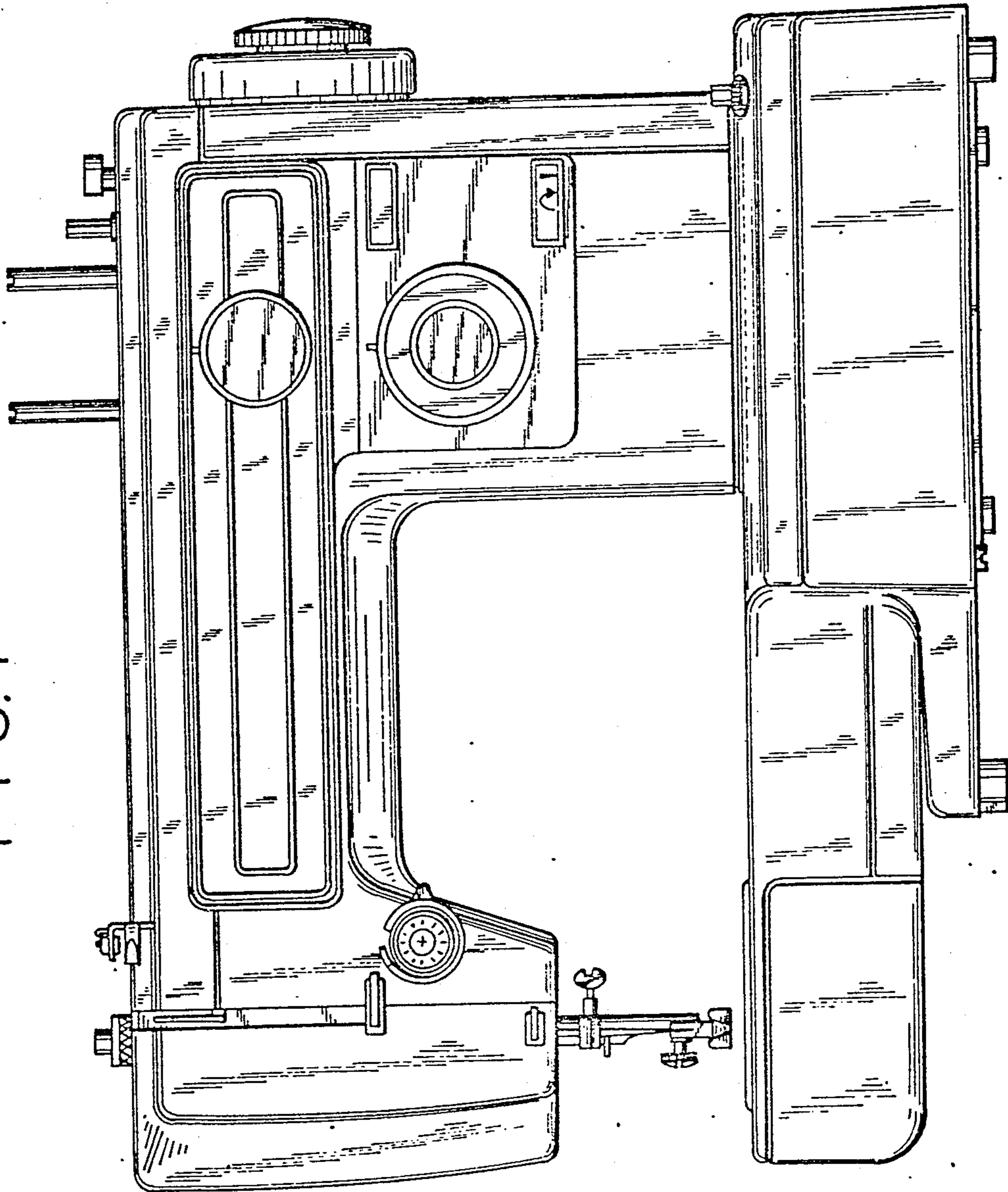


FIG. 2

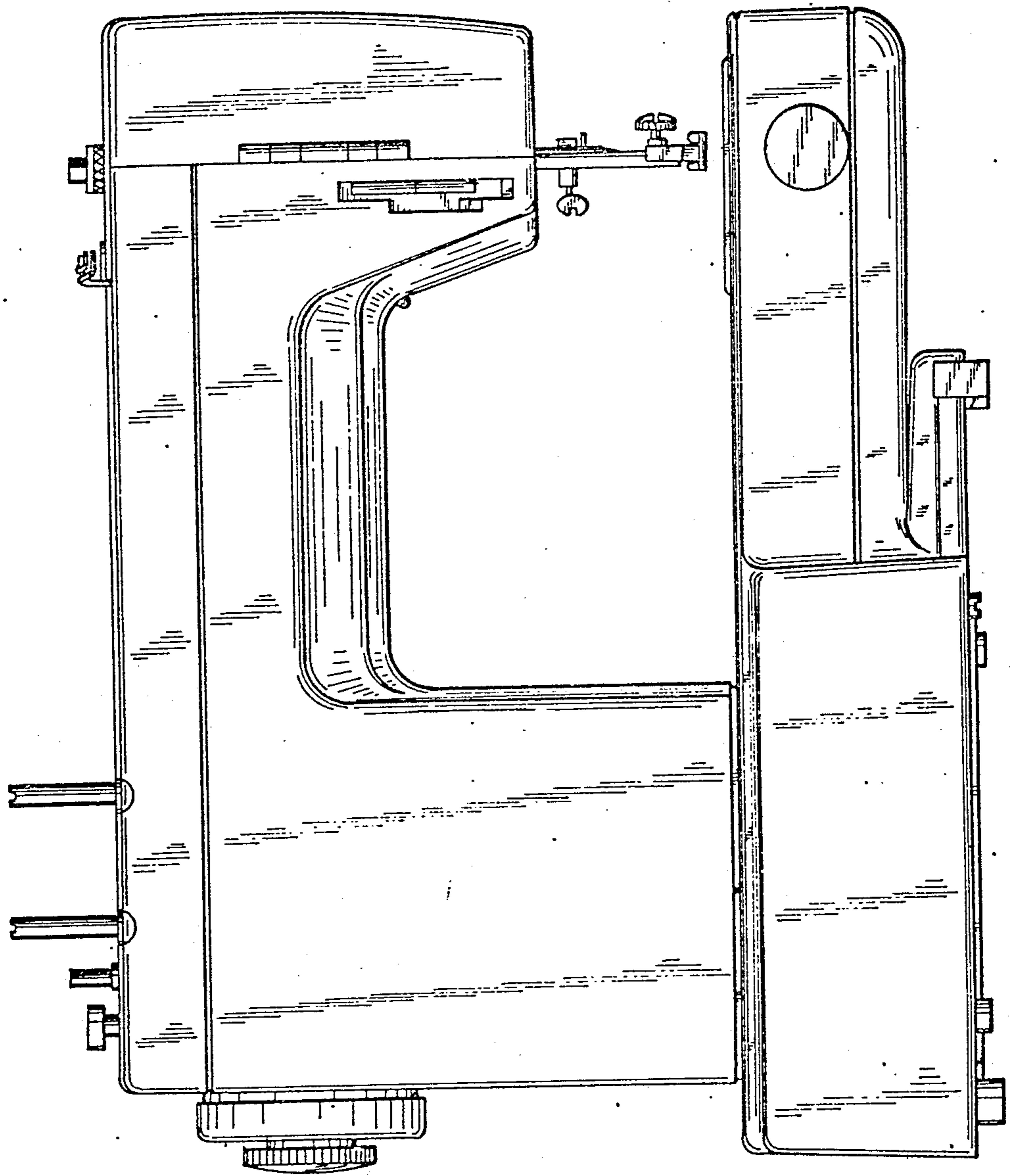


FIG. 3

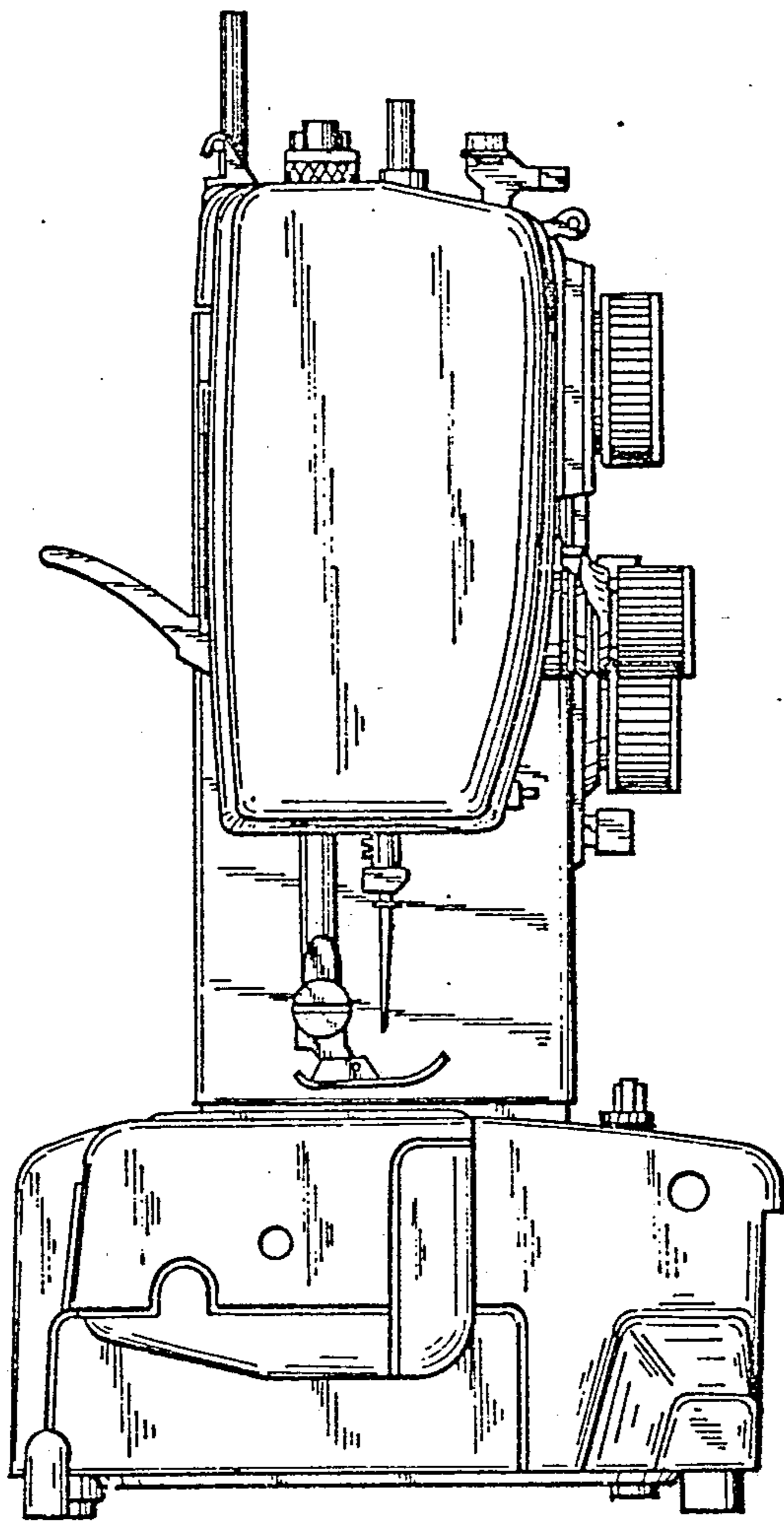


FIG. 4

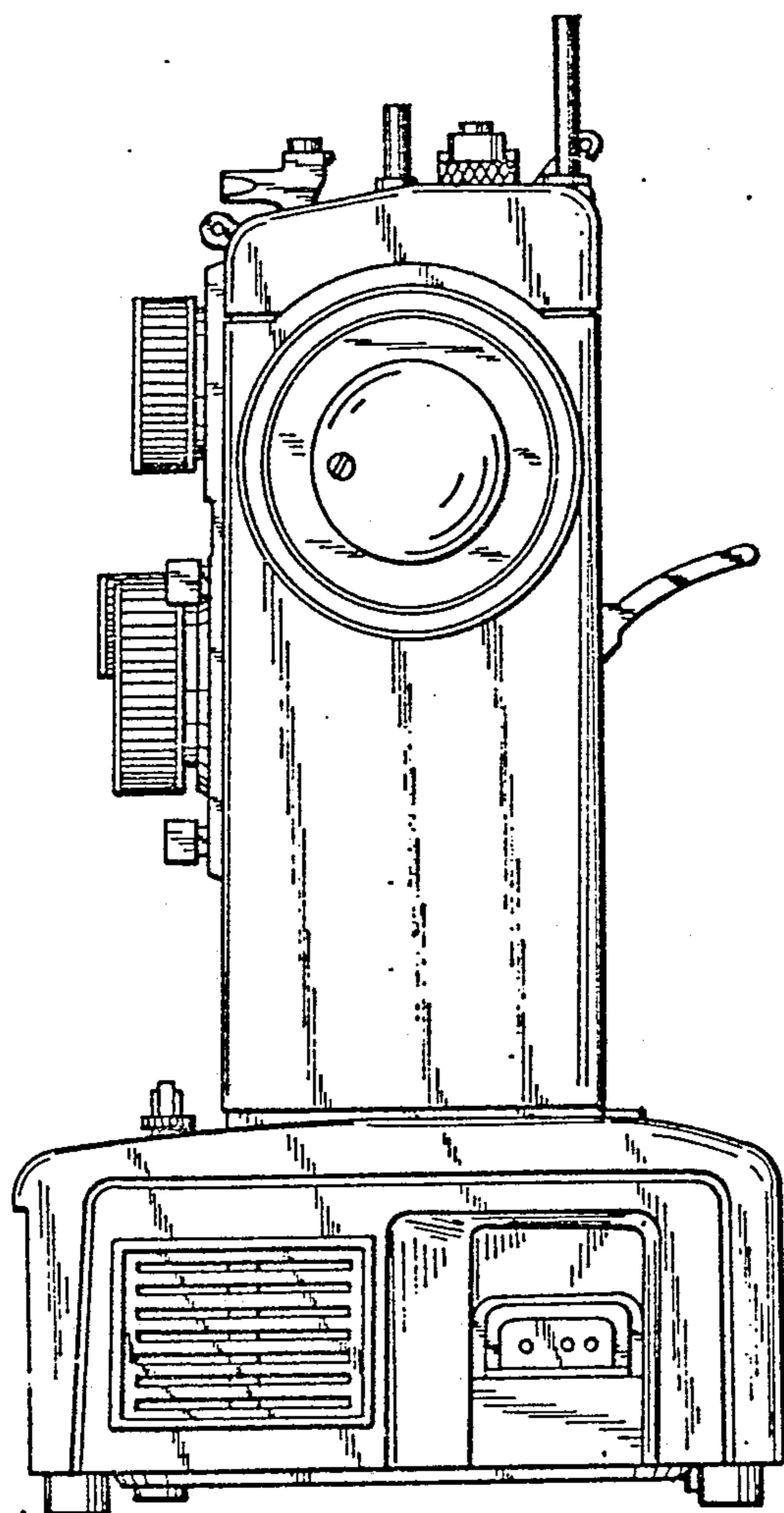


FIG. 5

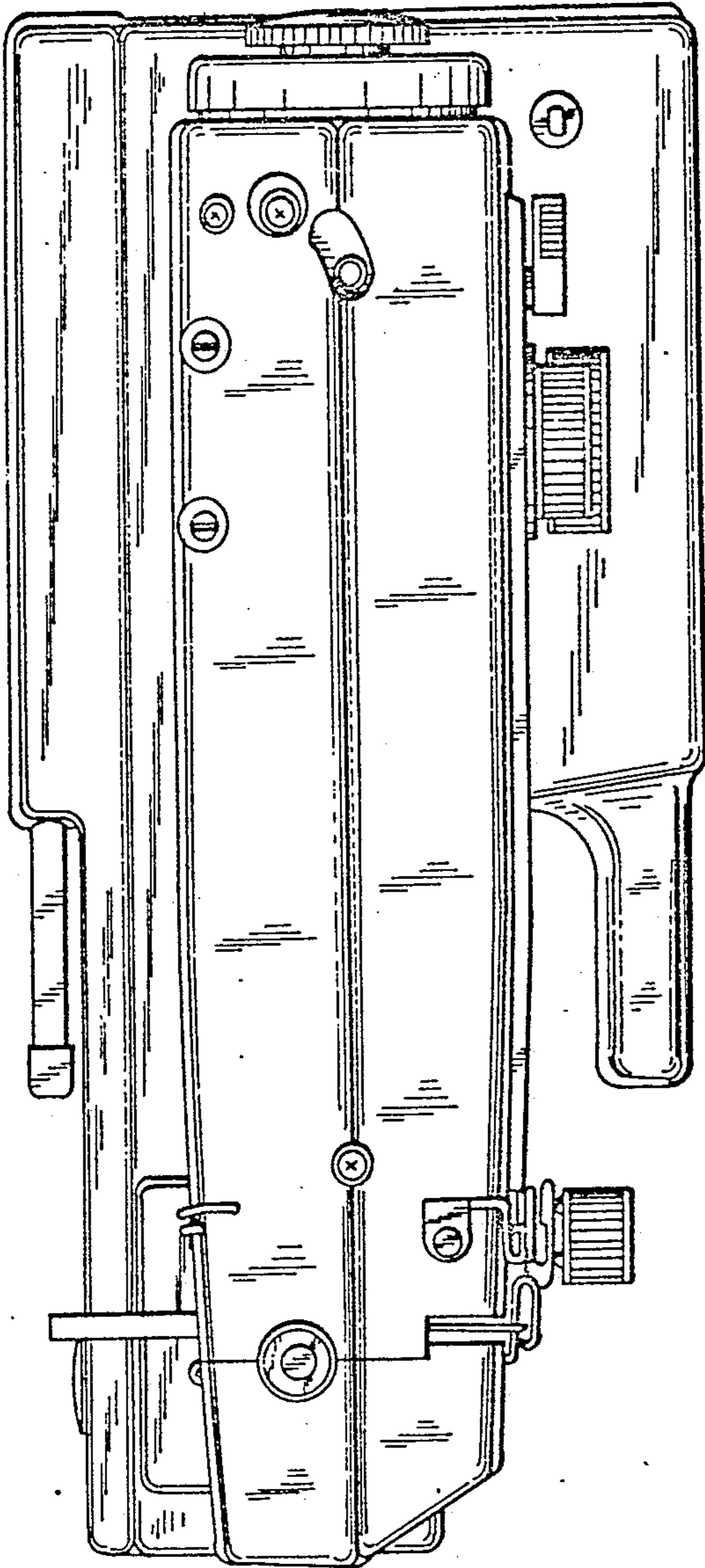


FIG. 6

