

[54] WEDGE FOR A DRILL SHANK OF A PERCUSSION DRILLING MACHINE

3,517,754 6/1970 Hughes ..... 173/104  
4,629,375 12/1986 Lieser ..... 408/239 R

[75] Inventors: Pekka Salmi, Tampere; Timo Muuttonen, Nokia, both of Finland

FOREIGN PATENT DOCUMENTS

2306322 8/1974 Fed. Rep. of Germany ... 408/239 R  
2613309 9/1977 Fed. Rep. of Germany ... 408/239 R  
0018916 of 1896 United Kingdom ..... 408/239 R

[73] Assignee: OY Tampella AB, Tampere, Finland

[\*\*] Term: 14 Years

Primary Examiner—B. J. Bullock  
Attorney, Agent, or Firm—Ladas & Parry

[21] Appl. No.: 683,259

[22] Filed: Dec. 18, 1984

[57] CLAIM

[30] Foreign Application Priority Data

Jul. 3, 1984 [FI] Finland ..... 670/84

The ornamental design for a wedge for a drill shank of a percussion drilling machine, as shown and described.

[52] U.S. Cl. .... D15/21; D8/70; D15/138

DESCRIPTION

[58] Field of Search ..... D15/138, 139, 143, 21; 279/19; 408/239 R, 226; 173/104, 164; D8/70

FIG. 1 is a perspective side and end view of a wedge for a drill shank of a percussion drilling machine showing our new design;

[56] References Cited

U.S. PATENT DOCUMENTS

D. 250,874 1/1979 D'Haem ..... D8/70  
D. 282,666 2/1986 Salmi et al. .... D8/70

FIG. 2 is a perspective top and end view thereof;

FIG. 3 is a side view thereof;

FIG. 4 is a top view thereof;

FIG. 5 is a bottom view thereof;

FIG. 6 is an end view thereof.

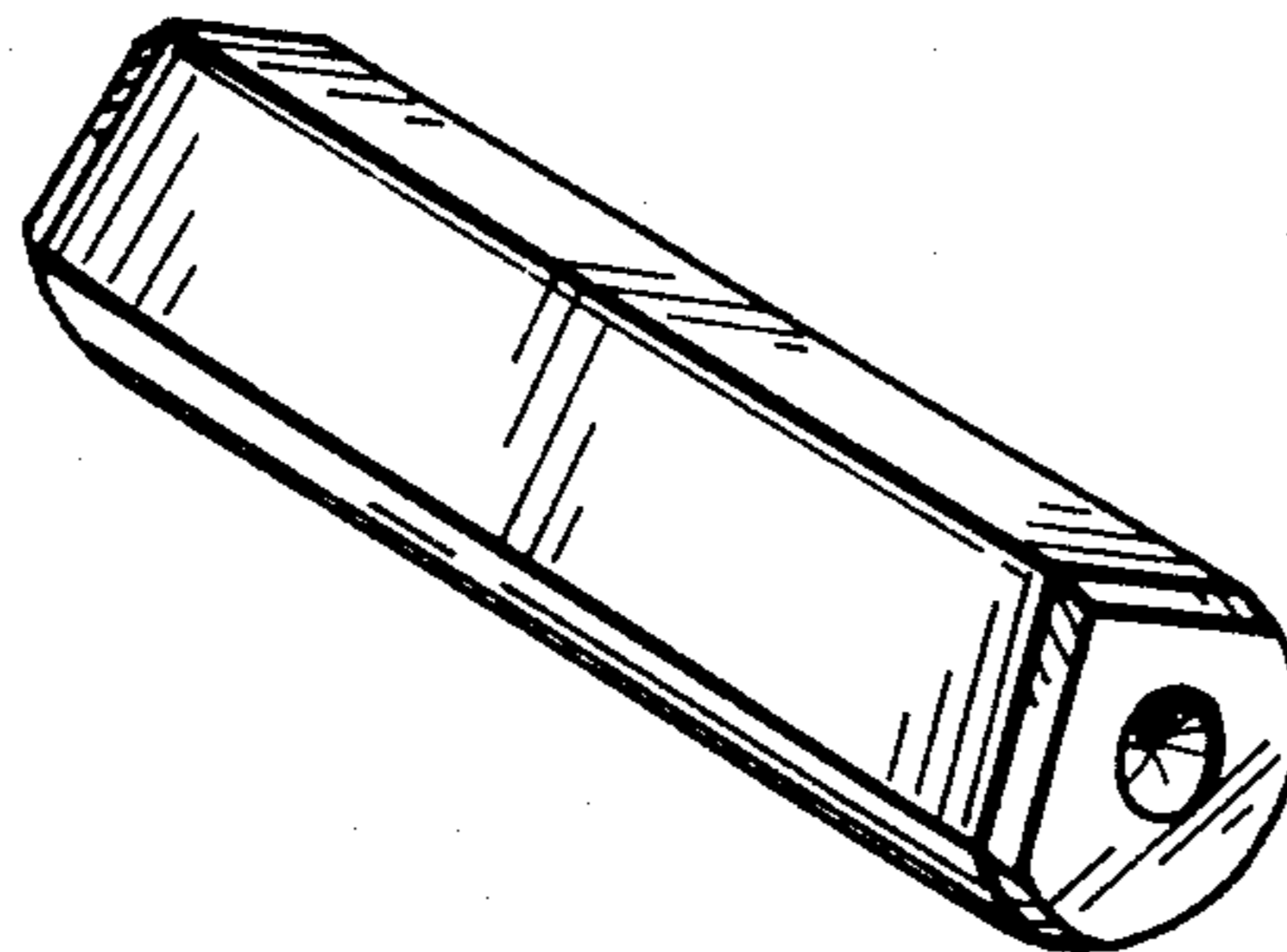


FIG. 1

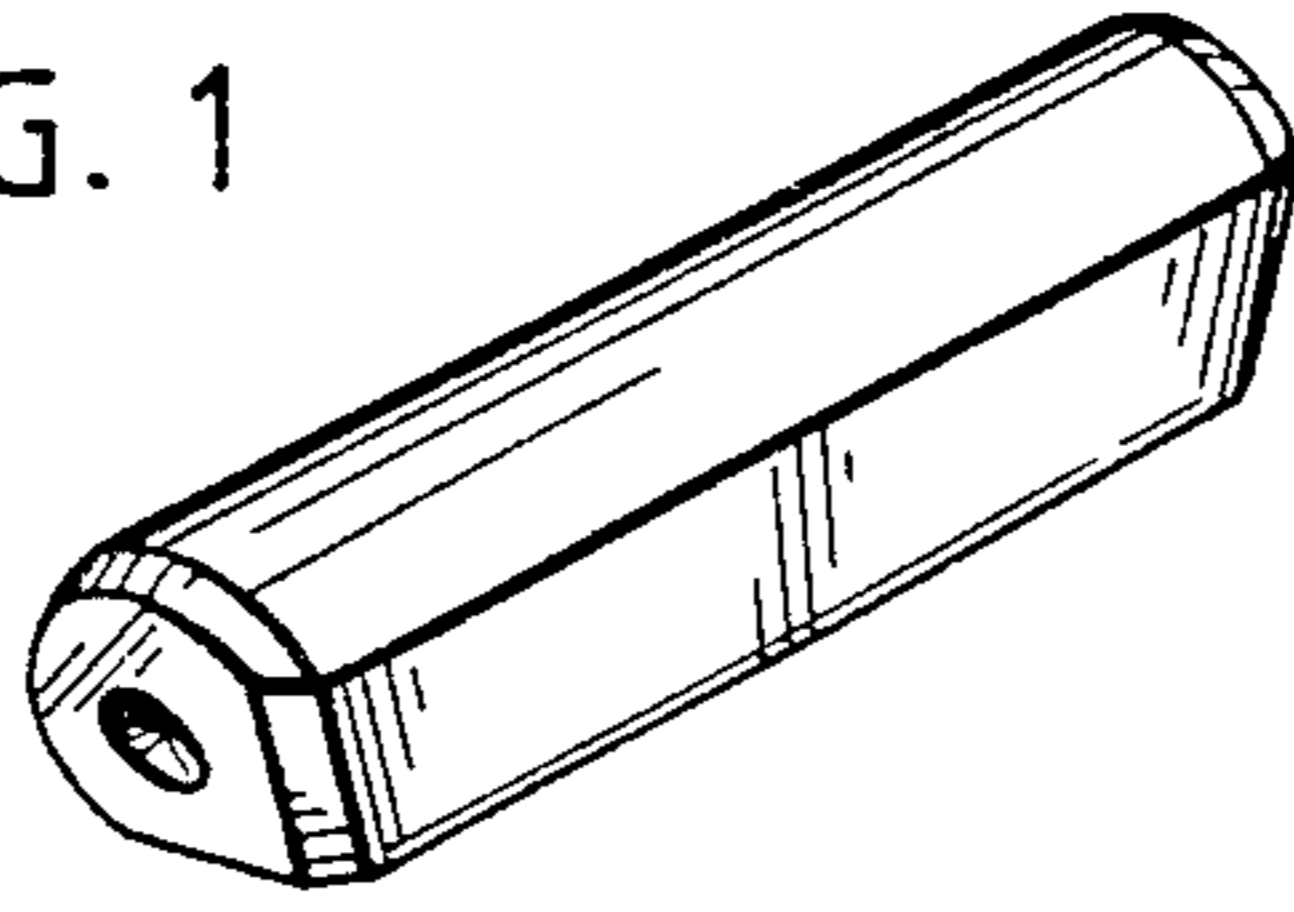


FIG. 2

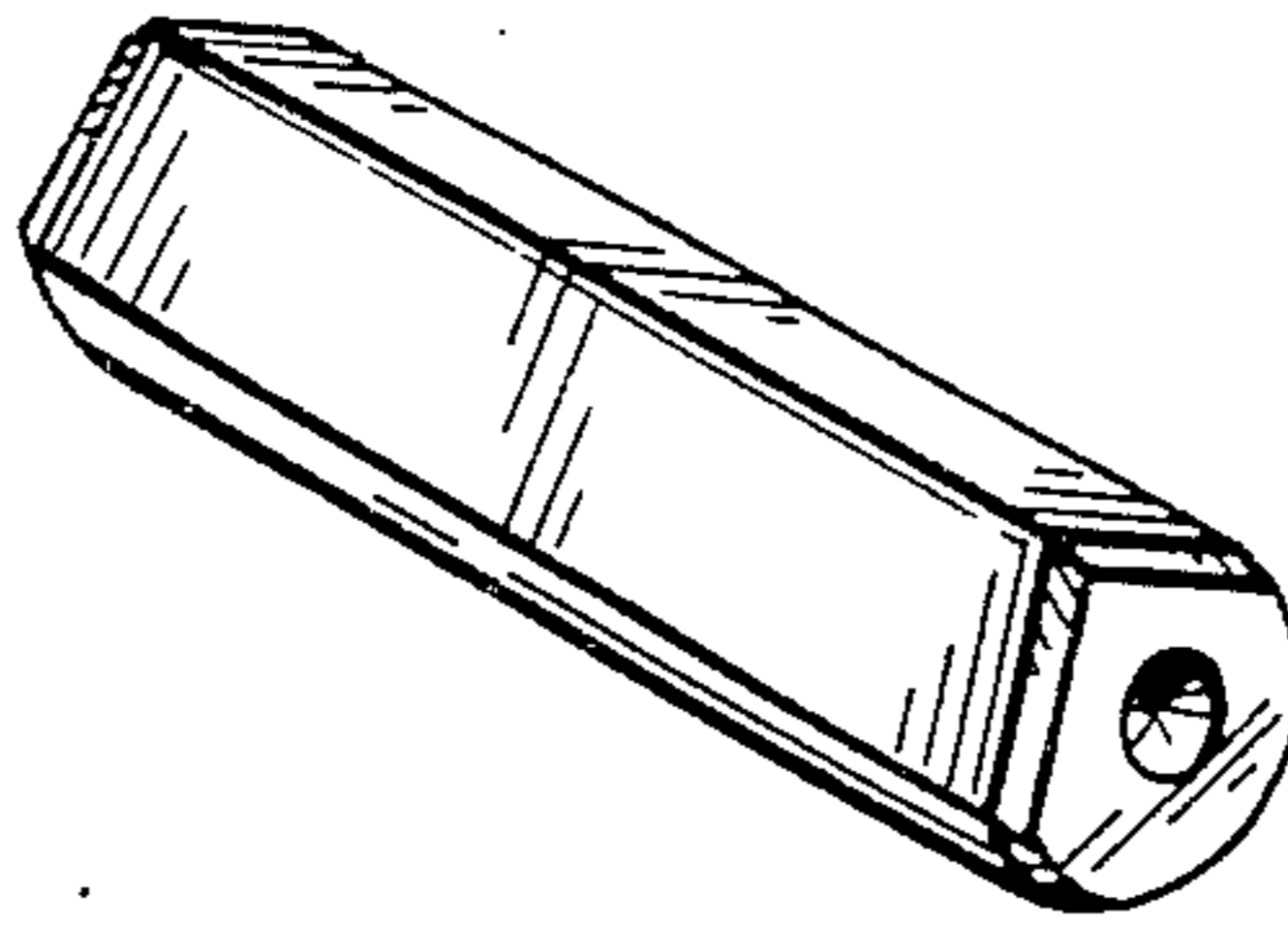


FIG. 3

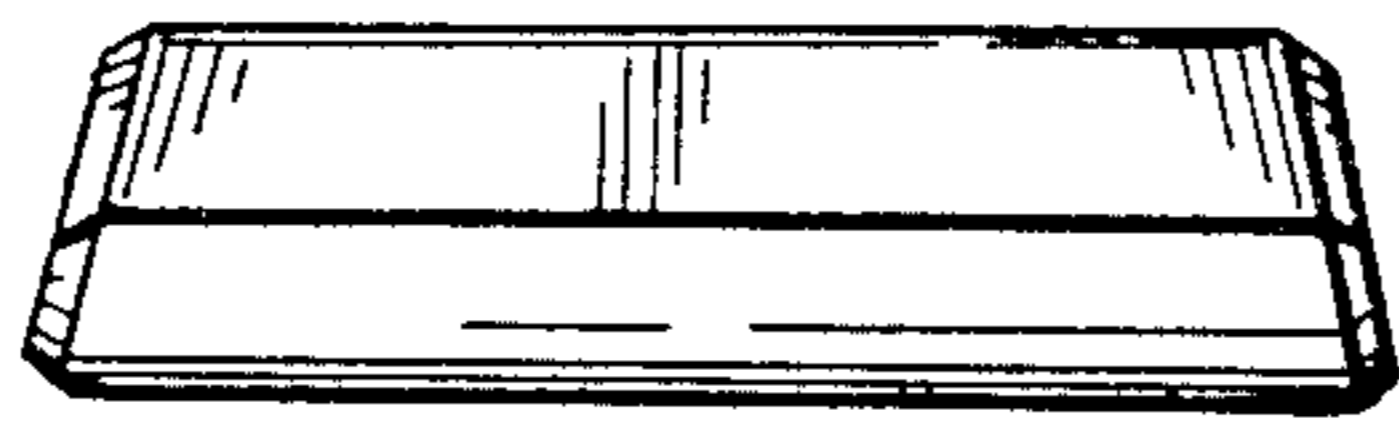


FIG. 6

FIG. 4



FIG. 5

