

[54] **MONITOR BEZEL**

[75] **Inventor: John Price, Peabody, Mass.**

[73] **Assignee: Xyvision, Inc., Woburn, Mass.**

[\*\*] **Term: 14 Years**

[21] **Appl. No.: 612,047**

[22] **Filed: May 18, 1984**

[52] **U.S. Cl. .... D14/115; D14/113**

[58] **Field of Search ..... D14/100, 101, 106, 107,  
D14/113, 114, 109, 77, 80, 81, 82, 84; 340/700,  
711; 358/254, 248, 249; 312/7.2**

[56] **References Cited**

**U.S. PATENT DOCUMENTS**

D. 283,134 3/1986 Mendel ..... D14/113

**OTHER PUBLICATIONS**

Computer Design, 7-1982, p. 138, Visual 50 Computer Terminal Display.  
Datamation, 3-1980, p. 18, IBM 3101 Display Terminal.  
Datamation, 2-1983, p. 199, Informer ® Display Terminal.

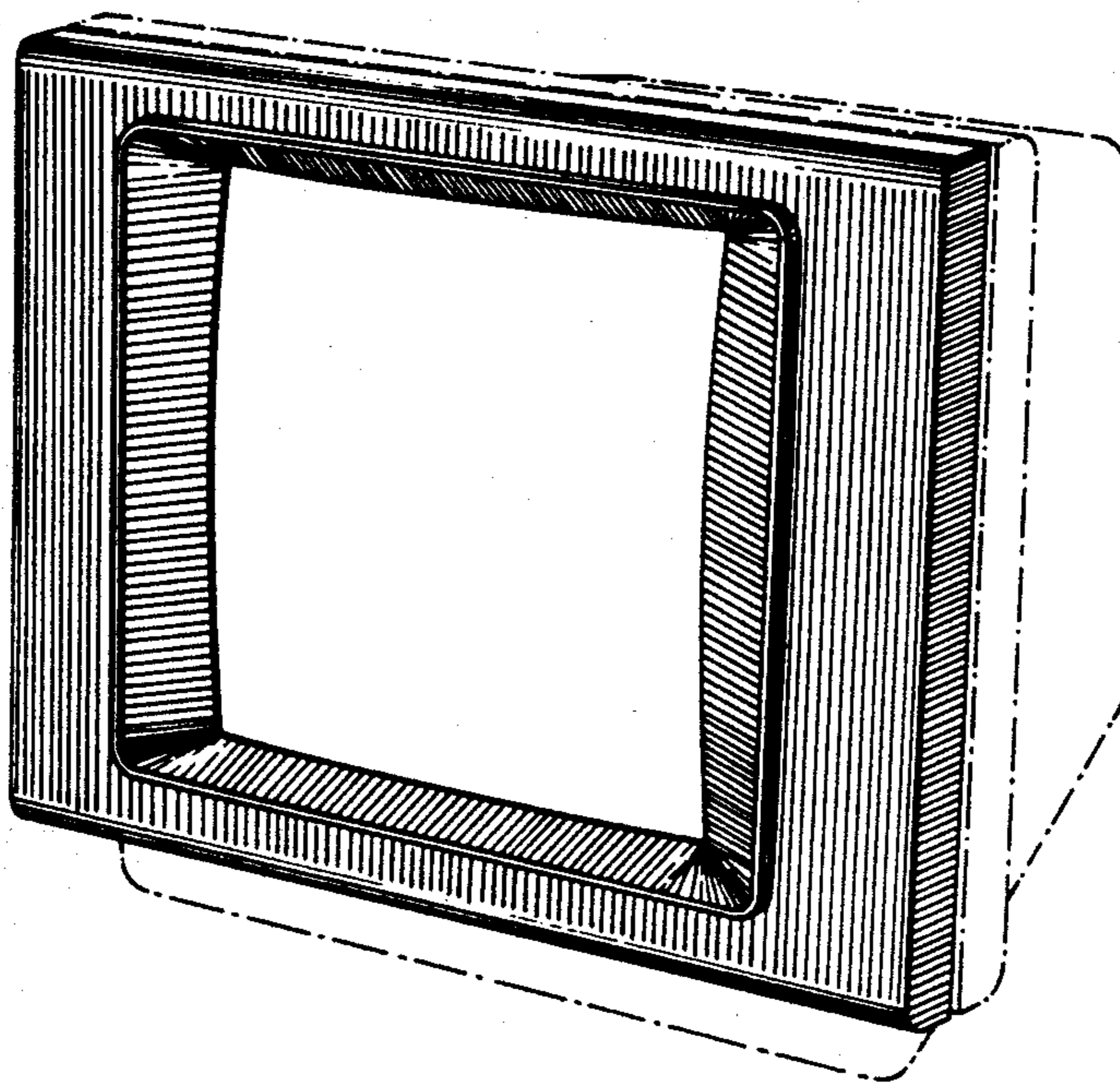
*Primary Examiner*—Susan J. Lucas  
*Attorney, Agent, or Firm*—Weingarten, Schurgen, Gagnebin & Hayes

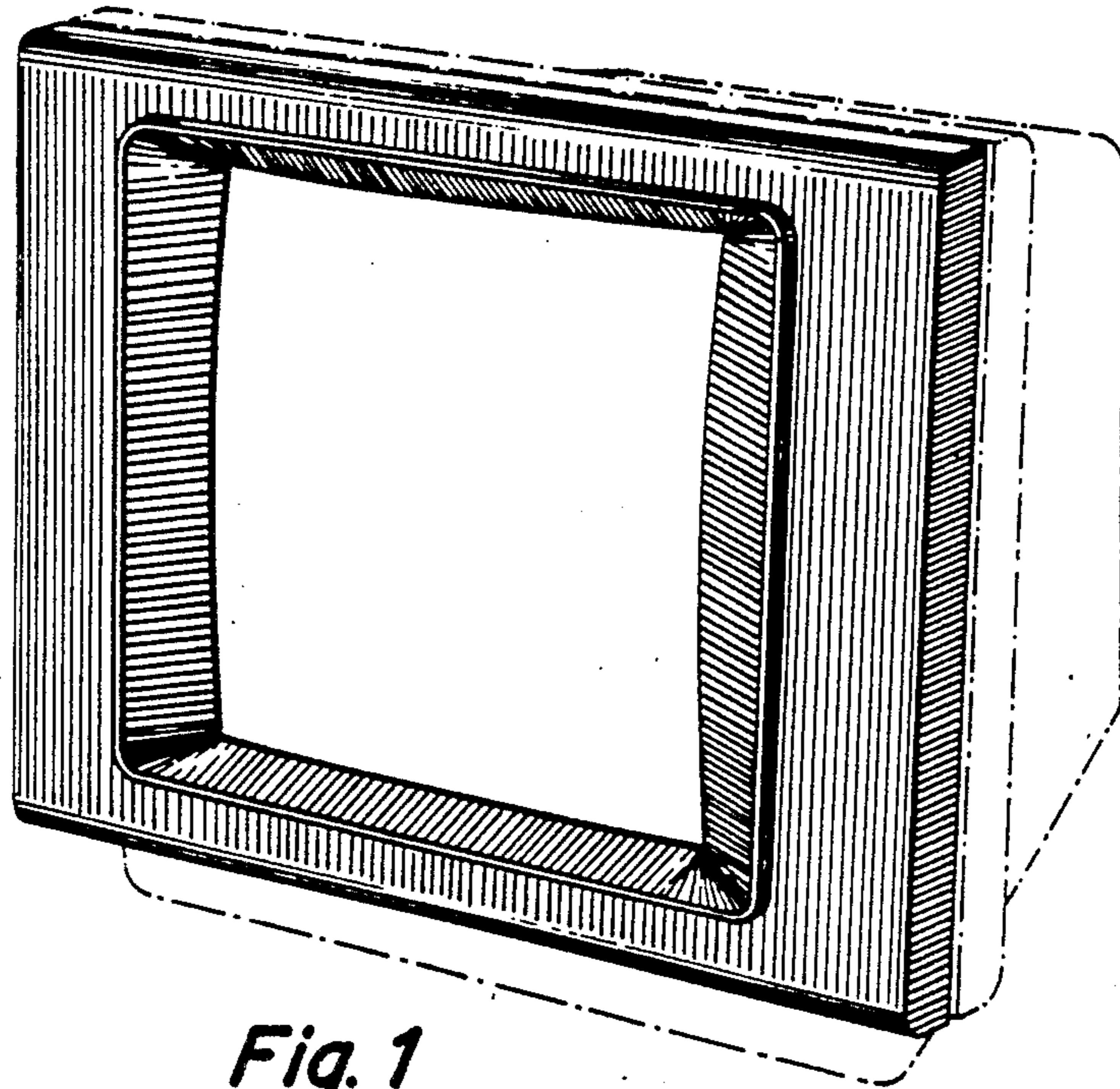
[57] **CLAIM**

The ornamental design for a monitor bezel, as shown and described.

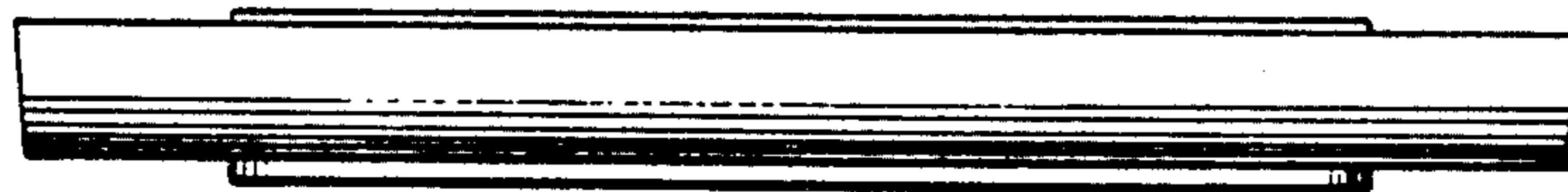
**DESCRIPTION**

FIG. 1 is a front perspective view of the monitor bezel showing my new design;  
FIG. 2 is a top plan view thereof;  
FIG. 3 is a side elevational view thereof, the opposite side being a mirror image;  
FIG. 4 is a front elevational view thereof.  
The monitor housing is shown in broken lines in FIG. 1 for illustrative purposes only.





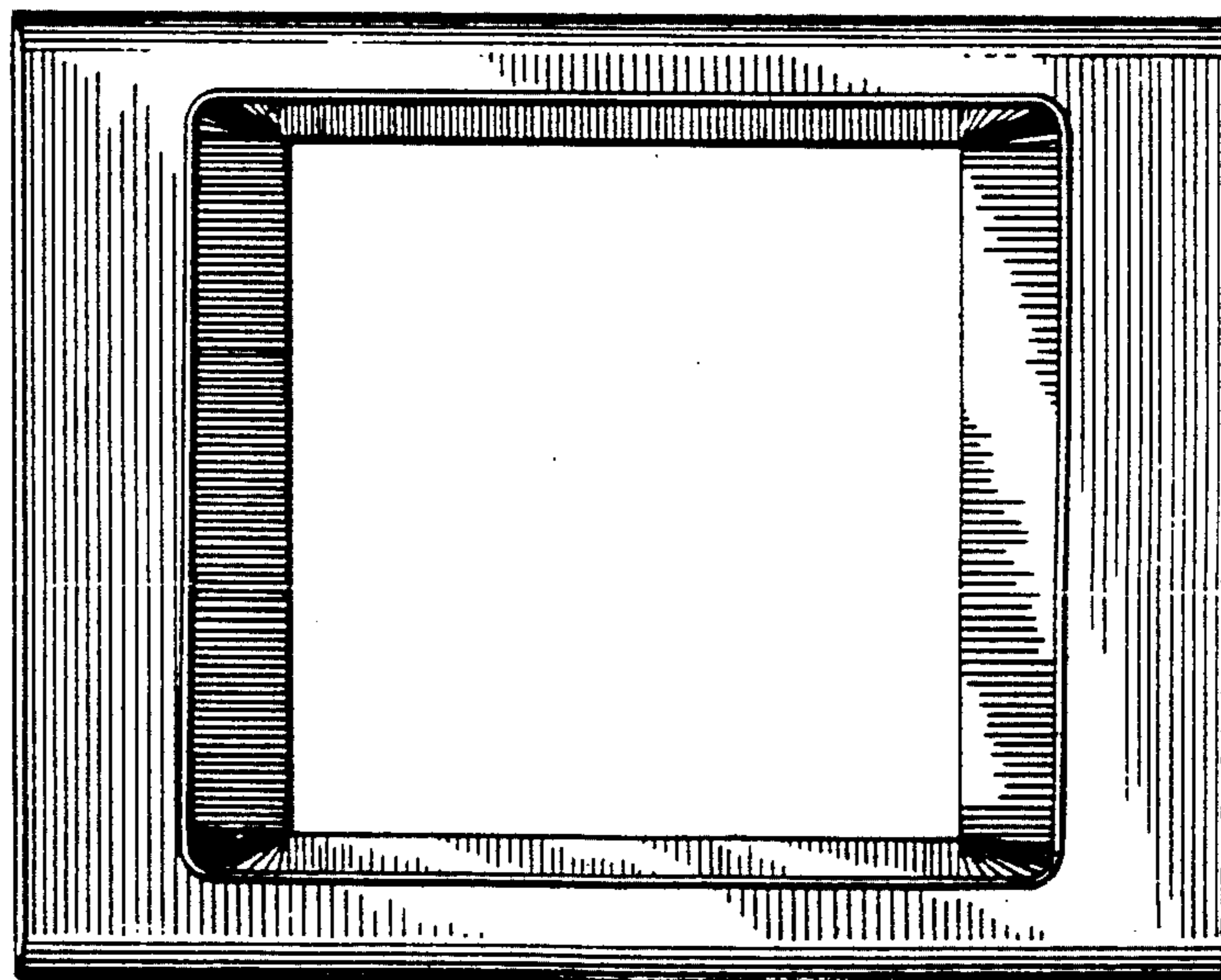
*Fig. 1*



*Fig. 2*



*Fig. 3*



*Fig. 4*