

[54] TELEPHONE NETWORK INTERFACE DEVICE

4,624,514 11/1986 Smith 379/412

[75] Inventors: N. Peter Mickelson, Gorham; John J. Napiorkowski, Cape Elizabeth, both of Me.

[73] Assignee: GTE Products Corporation, Stamford, Conn.

[**] Term: 14 Years

[21] Appl. No.: 818,144

[22] Filed: Jan. 13, 1986

[52] U.S. Cl. D14/52; D14/59

[58] Field of Search D14/59, 52; 379/27, 379/29, 412, 399, 387

[56] References Cited

U.S. PATENT DOCUMENTS

- 4,488,008 12/1984 Dellinger et al. 379/412 X
- 4,562,311 12/1985 Dola 379/412 X
- 4,588,862 5/1986 Gnabowy 379/27

OTHER PUBLICATIONS

Telephony, Jan. 3, 1977: GTE Ad, pp. 26-27; Mini-Plugs & Jacks.

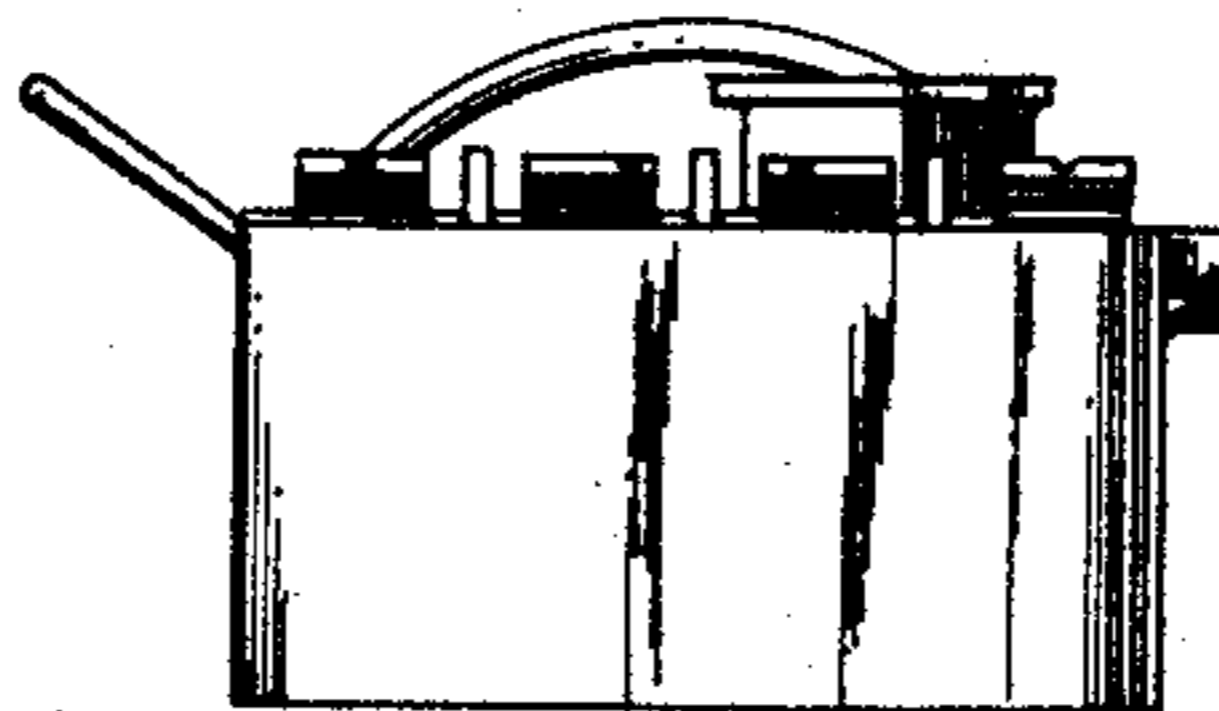
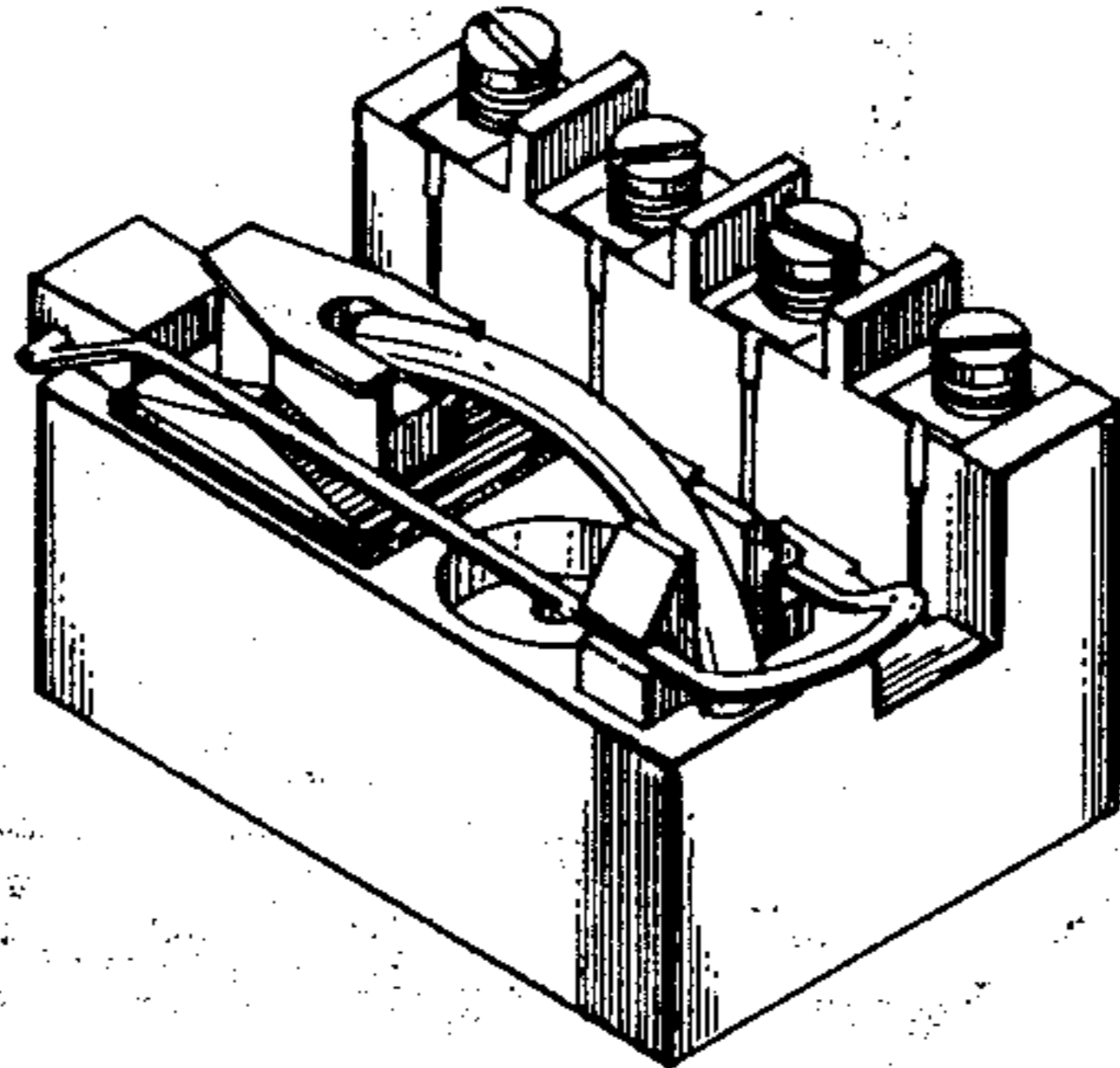
Primary Examiner—Wallace R. Burke
Assistant Examiner—Horace B. Fay
Attorney, Agent, or Firm—James Theodosopoulos

[57] CLAIM

The ornamental design for a telephone network interface device substantially as shown and described.

DESCRIPTION

FIG. 1 is a left side, top and front end perspective view of a telephone network interface device showing our new design;
FIGS. 2 and 3 are respectively left and right side elevational views thereof;
FIGS. 4 and 5 are respectively rear and front end elevational views thereof, and
FIG. 6 is a bottom plan view.



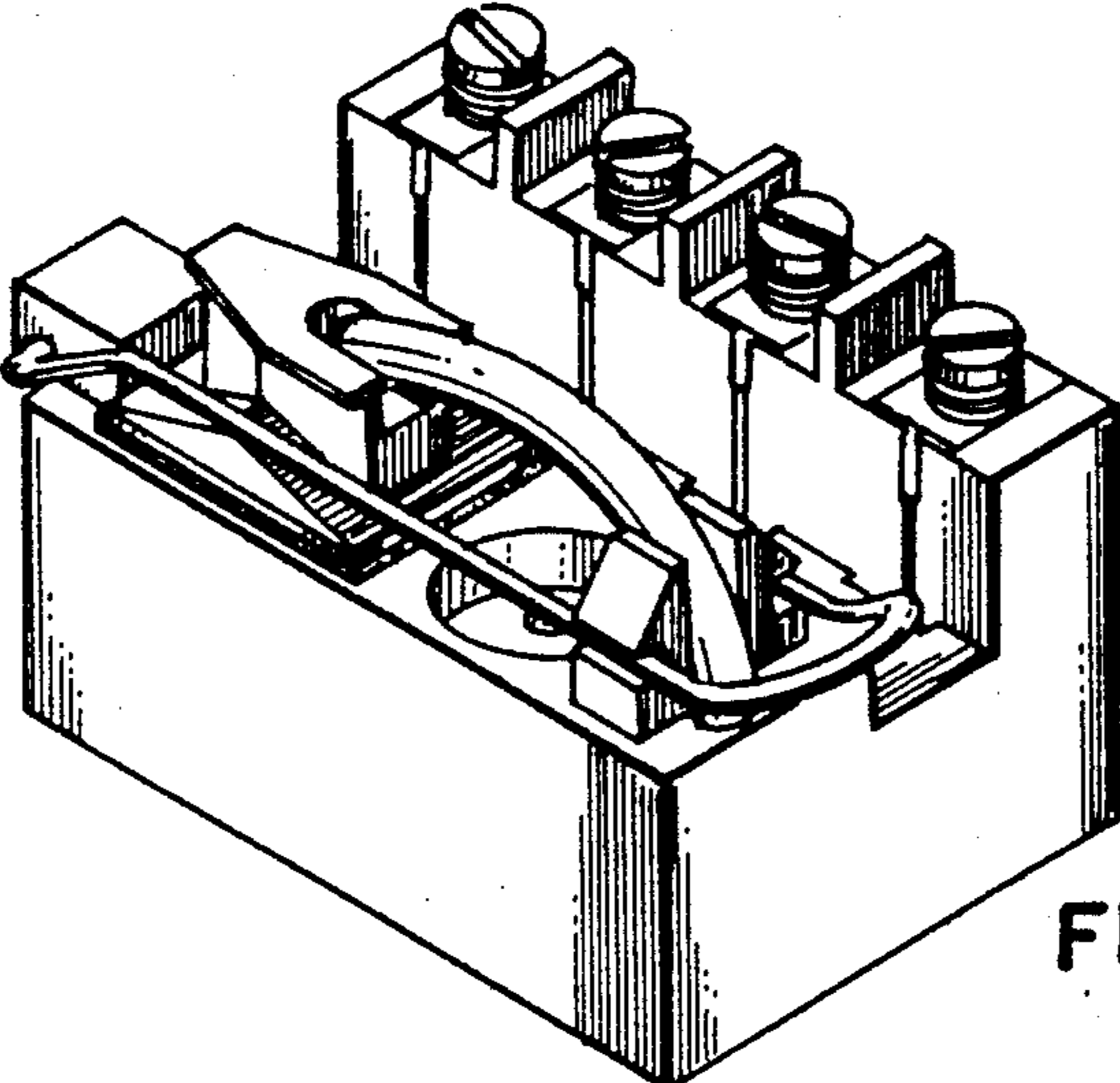


FIG. 1

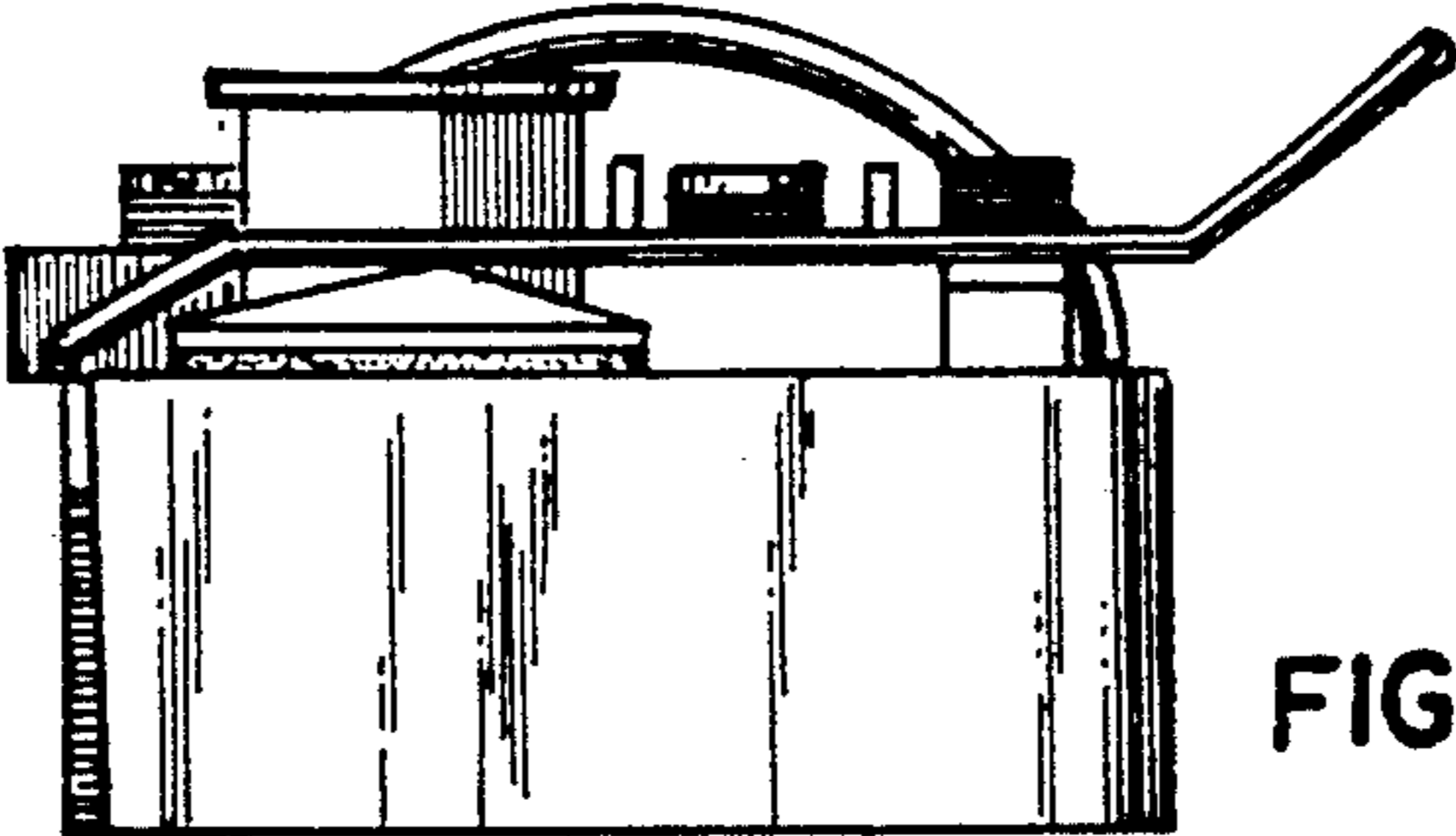


FIG. 2

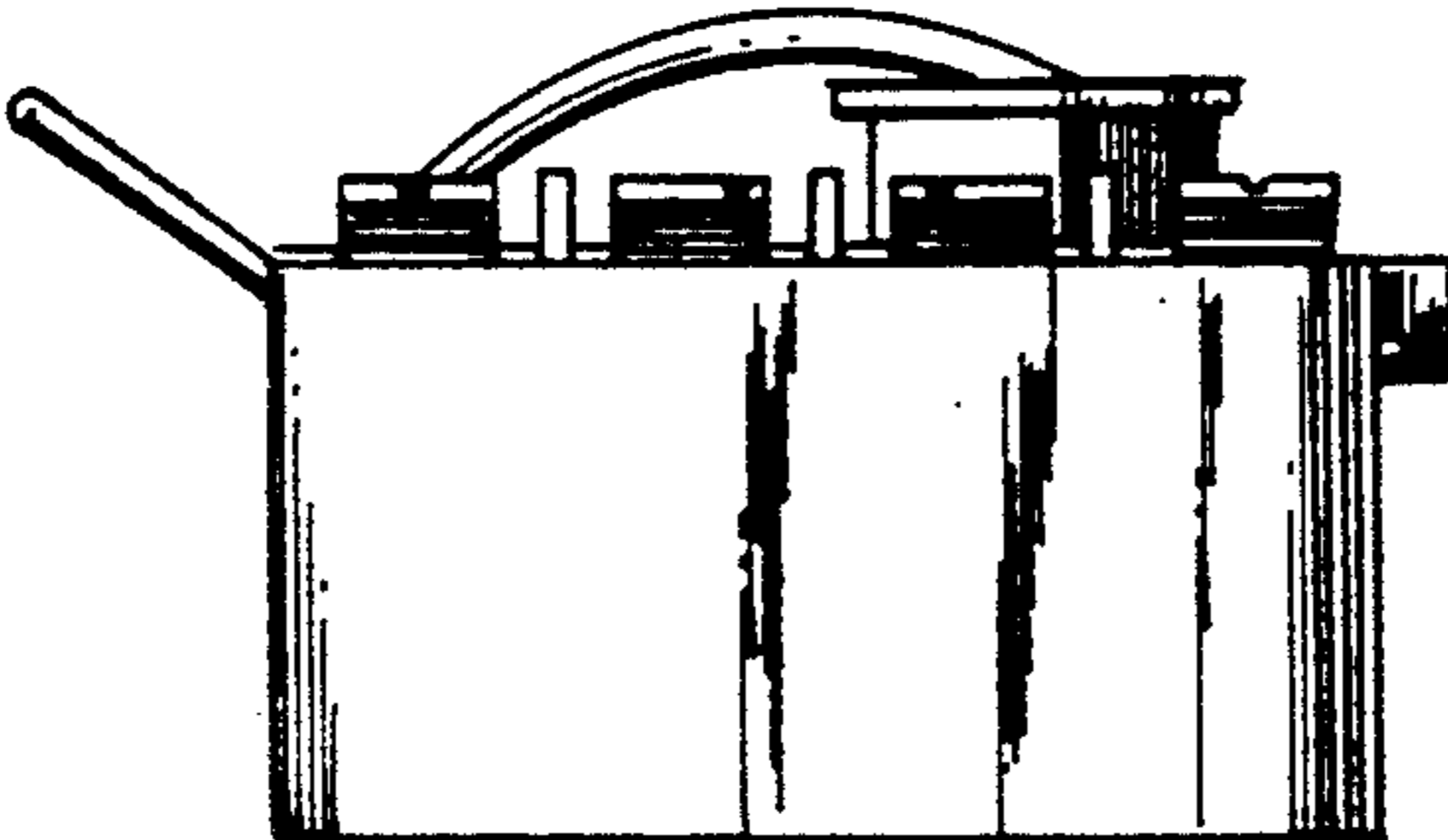


FIG. 3

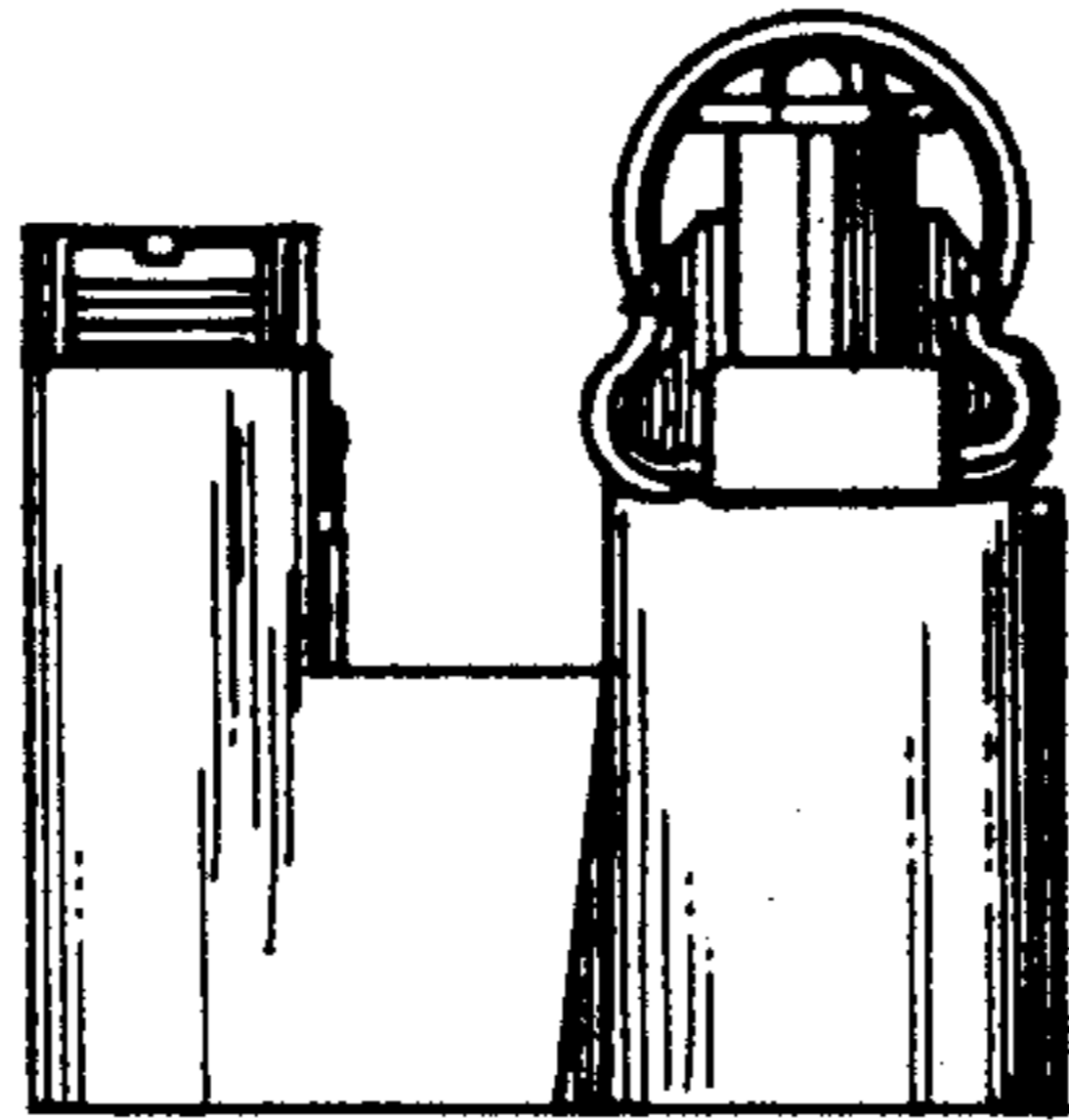


FIG. 4

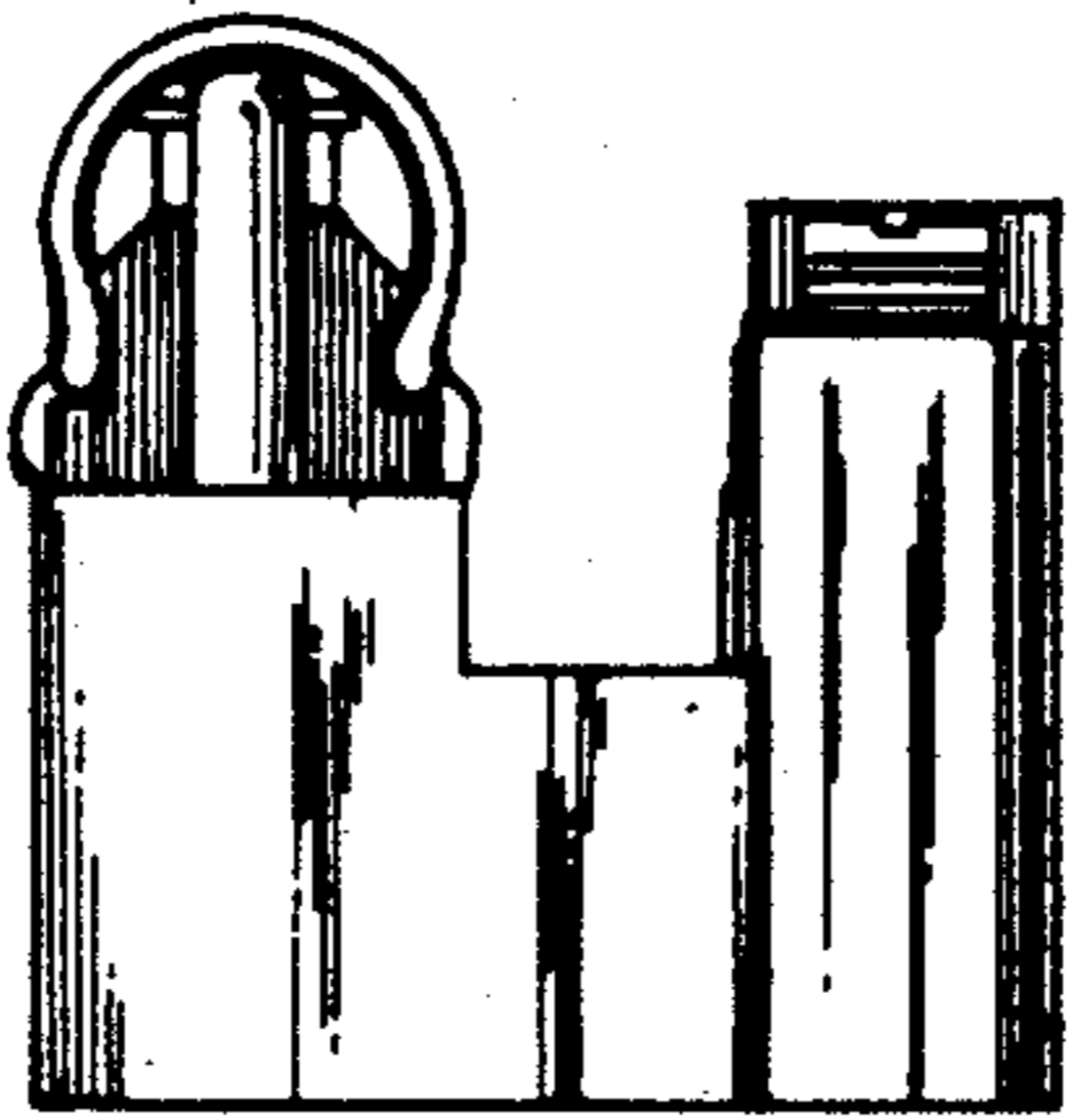


FIG. 5

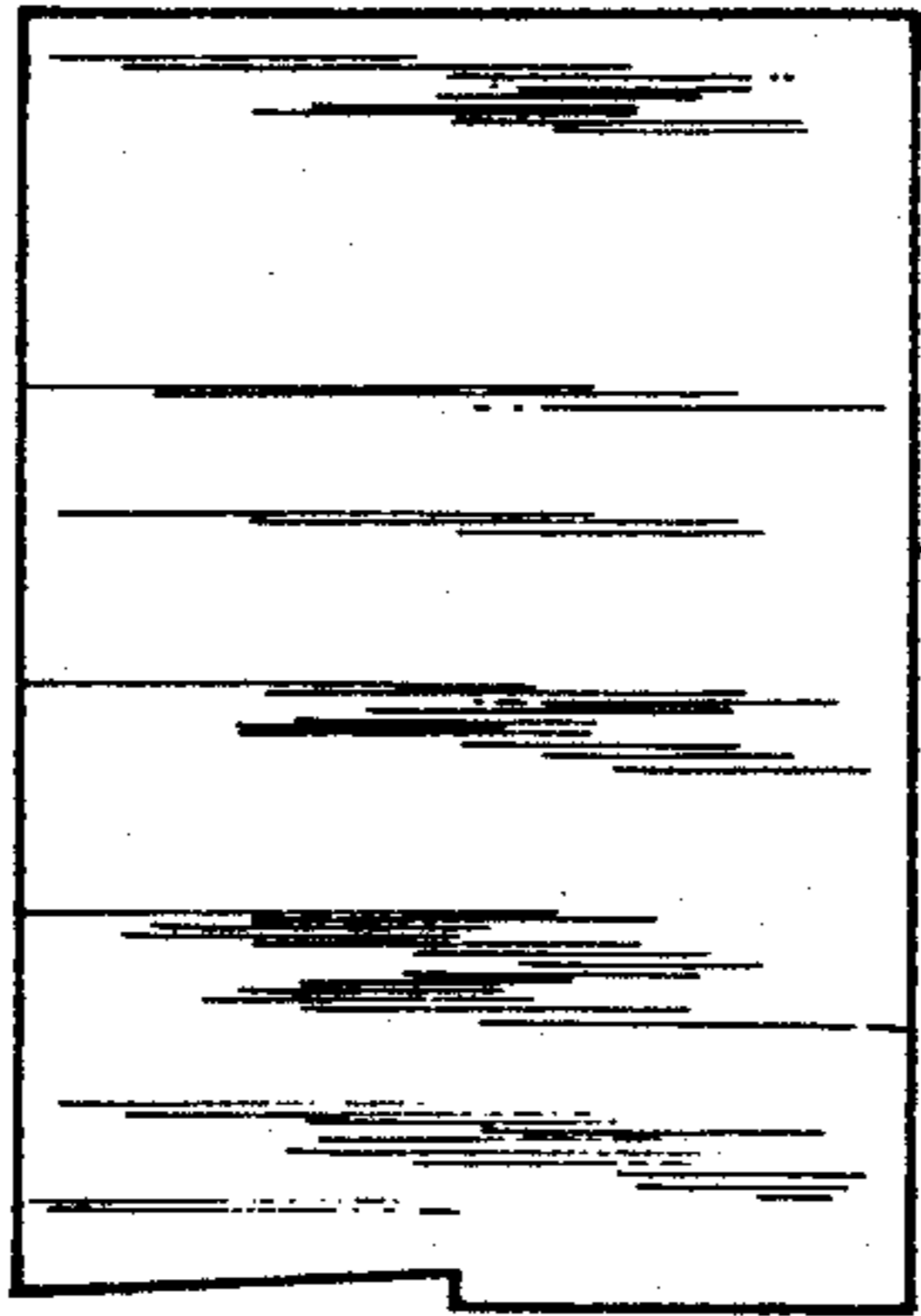


FIG. 6