

[54] LOUDSPEAKER

D. 273,106 3/1984 Iijima D14/30
D. 276,153 10/1984 Iijima D14/30
4,365,113 12/1982 Soma et al. 179/146 E

[75] Inventors: Noboru Keitoku; Akira Katsuno, both of Tokyo, Japan

Primary Examiner—Bernard Ansher
Assistant Examiner—Theodore M. Shooman
Attorney, Agent, or Firm—Sughrue, Mion, Zinn, Macpeak & Seas

[73] Assignee: Pioneer Electronic Corporation, Tokyo, Japan

[**] Term: 14 Years

[57] CLAIM

[21] Appl. No.: 672,437

The ornamental design for a loudspeaker, as shown and described.

[22] Filed: Nov. 16, 1984

DESCRIPTION

[30] Foreign Application Priority Data

Jun. 12, 1984 [JP] Japan 59-24001

[52] U.S. Cl. D14/30; D14/34

[58] Field of Search D14/30, 32, 33, 34, D14/39; 181/148, 150, 199; 179/146 E

FIG. 1 is a front elevational view of a loudspeaker showing our new design;

FIG. 2 is a rear elevational view thereof;

FIG. 3 is a right side elevational view thereof;

FIG. 4 is a left side elevational view thereof;

FIG. 5 is a top plan view thereof, shown in an inverted position;

FIG. 6 is a bottom plan view thereof; and

FIG. 7 is a top and front perspective view thereof.

[56] References Cited

U.S. PATENT DOCUMENTS

D. 265,477 7/1982 Iijima D14/34

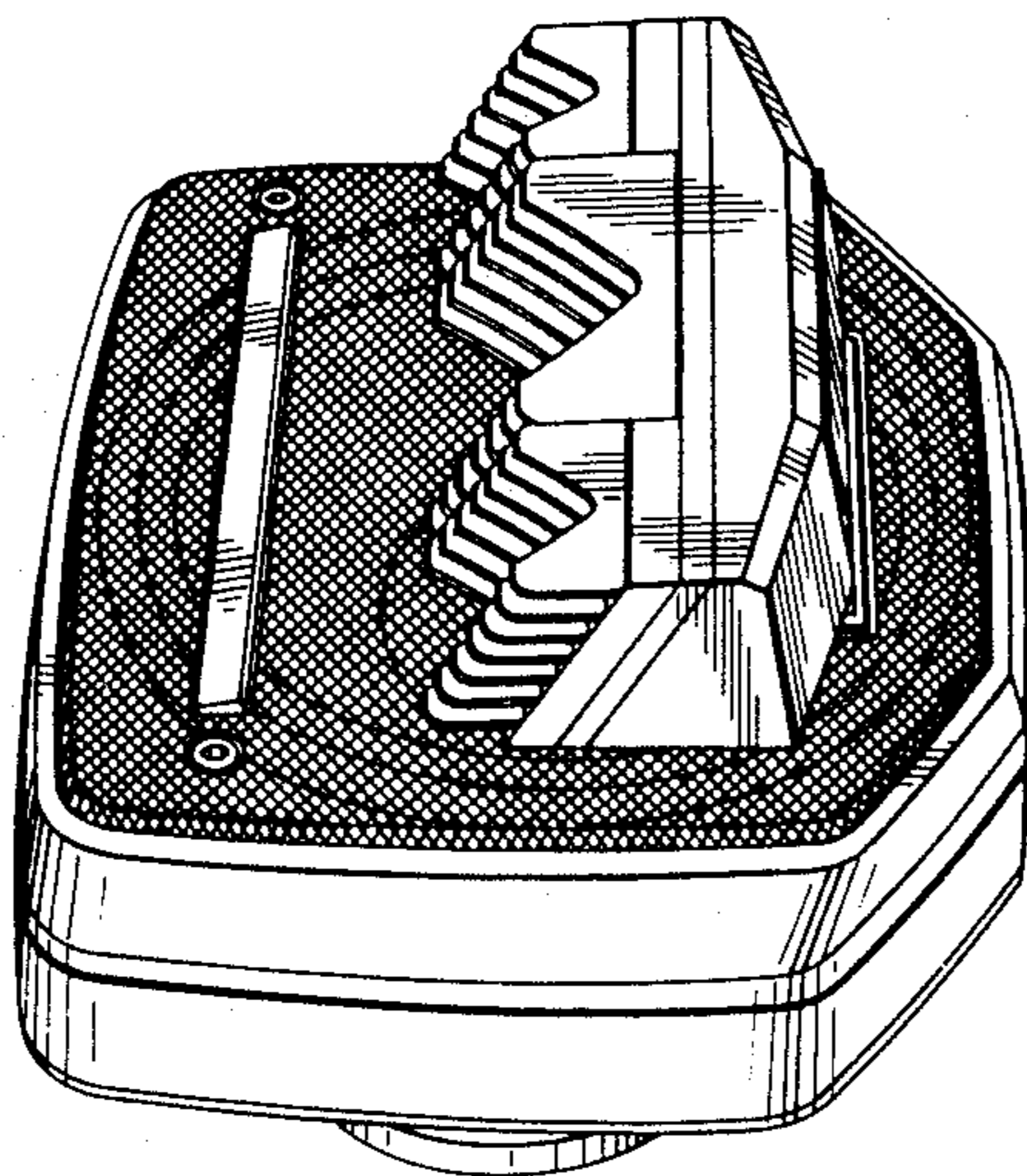


FIG. 1

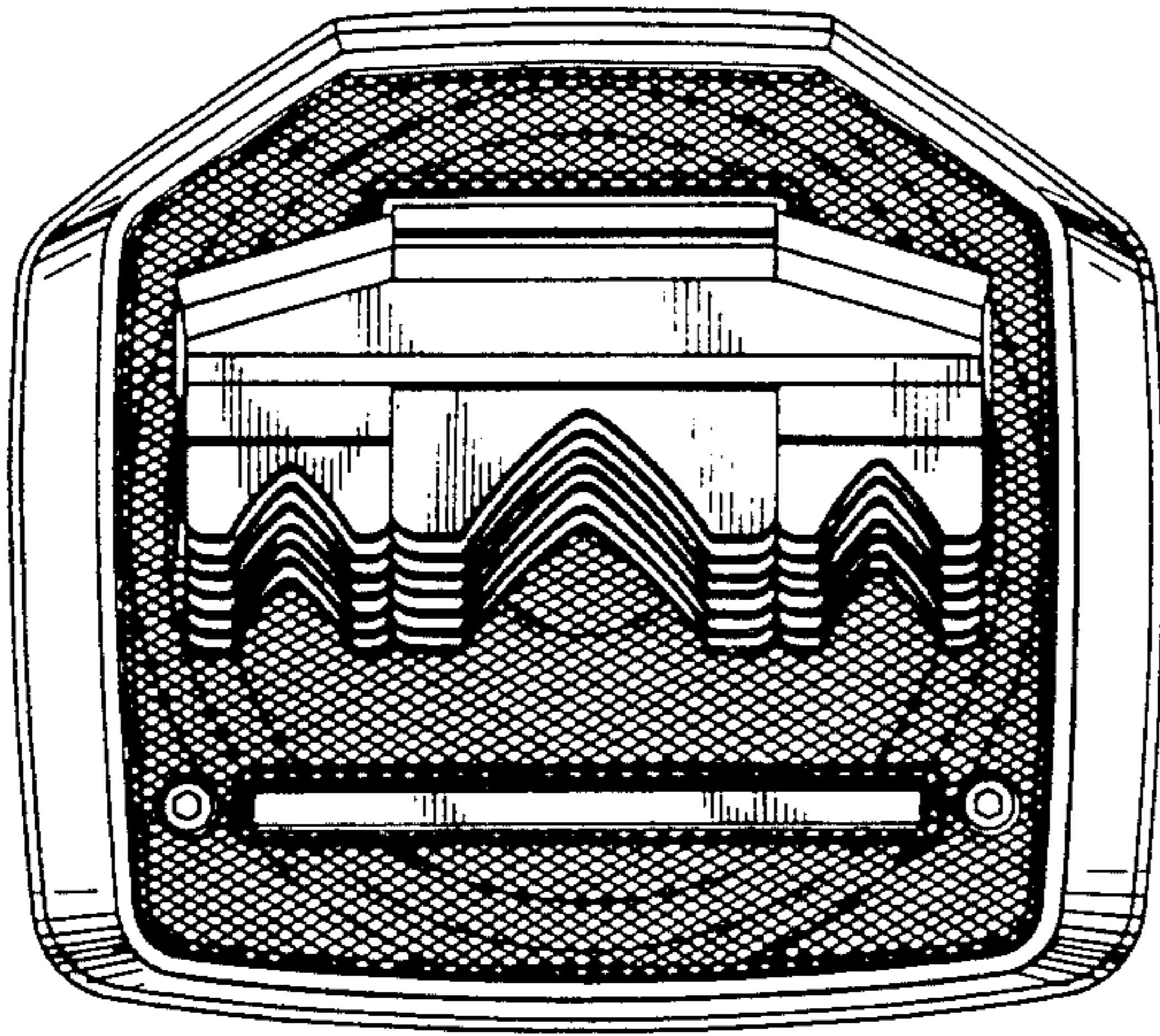


FIG. 3

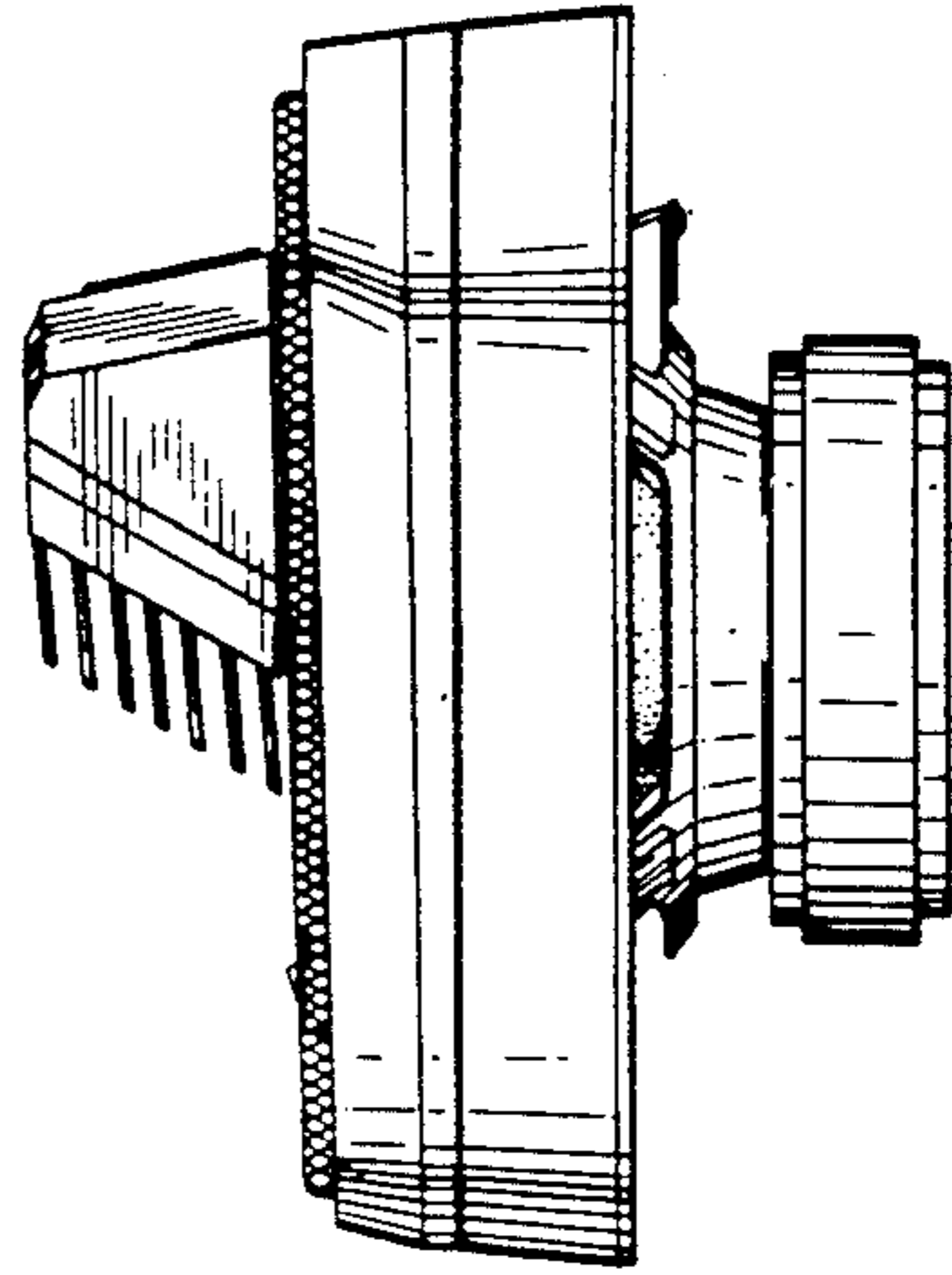


FIG. 2

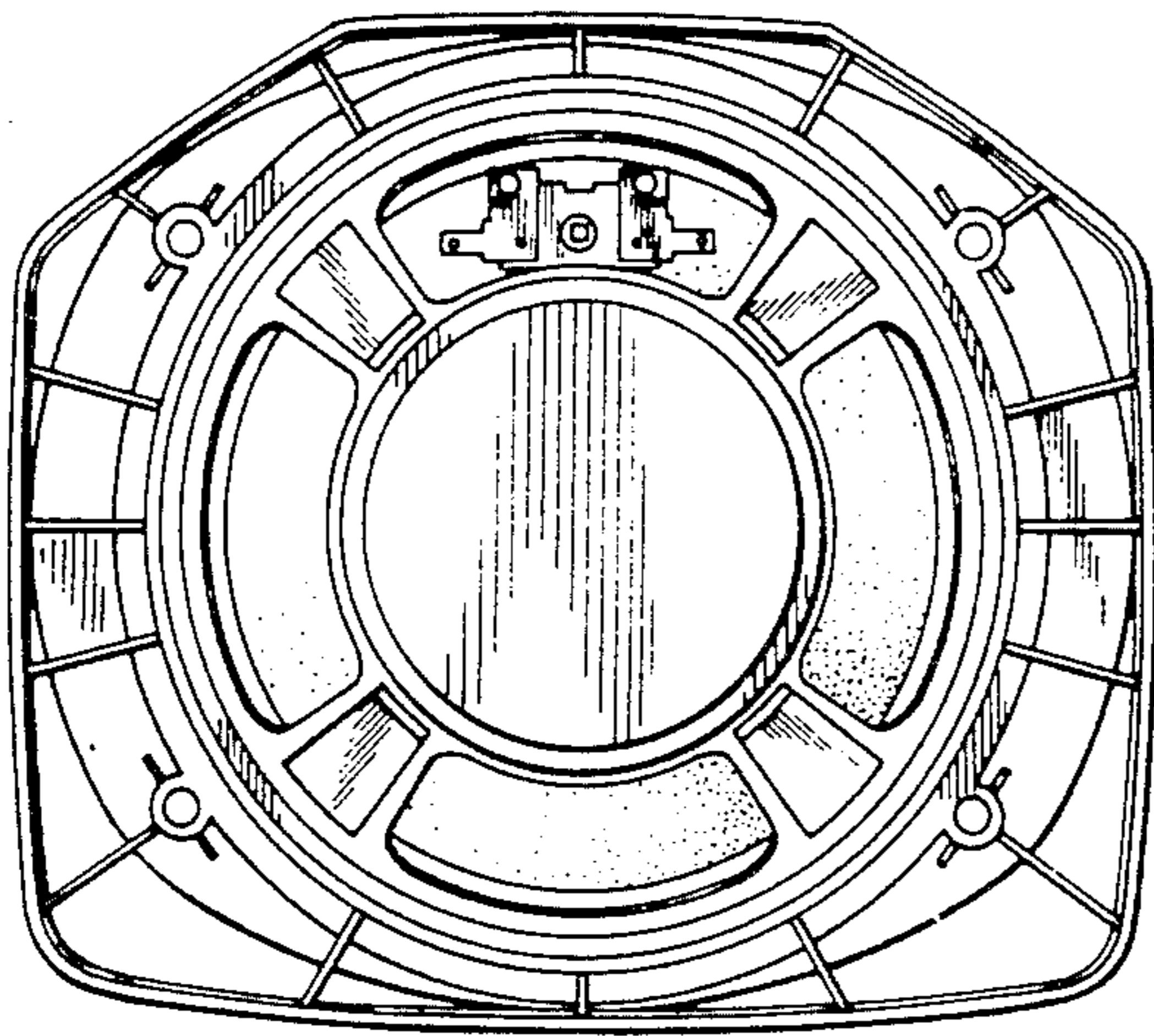


FIG. 4

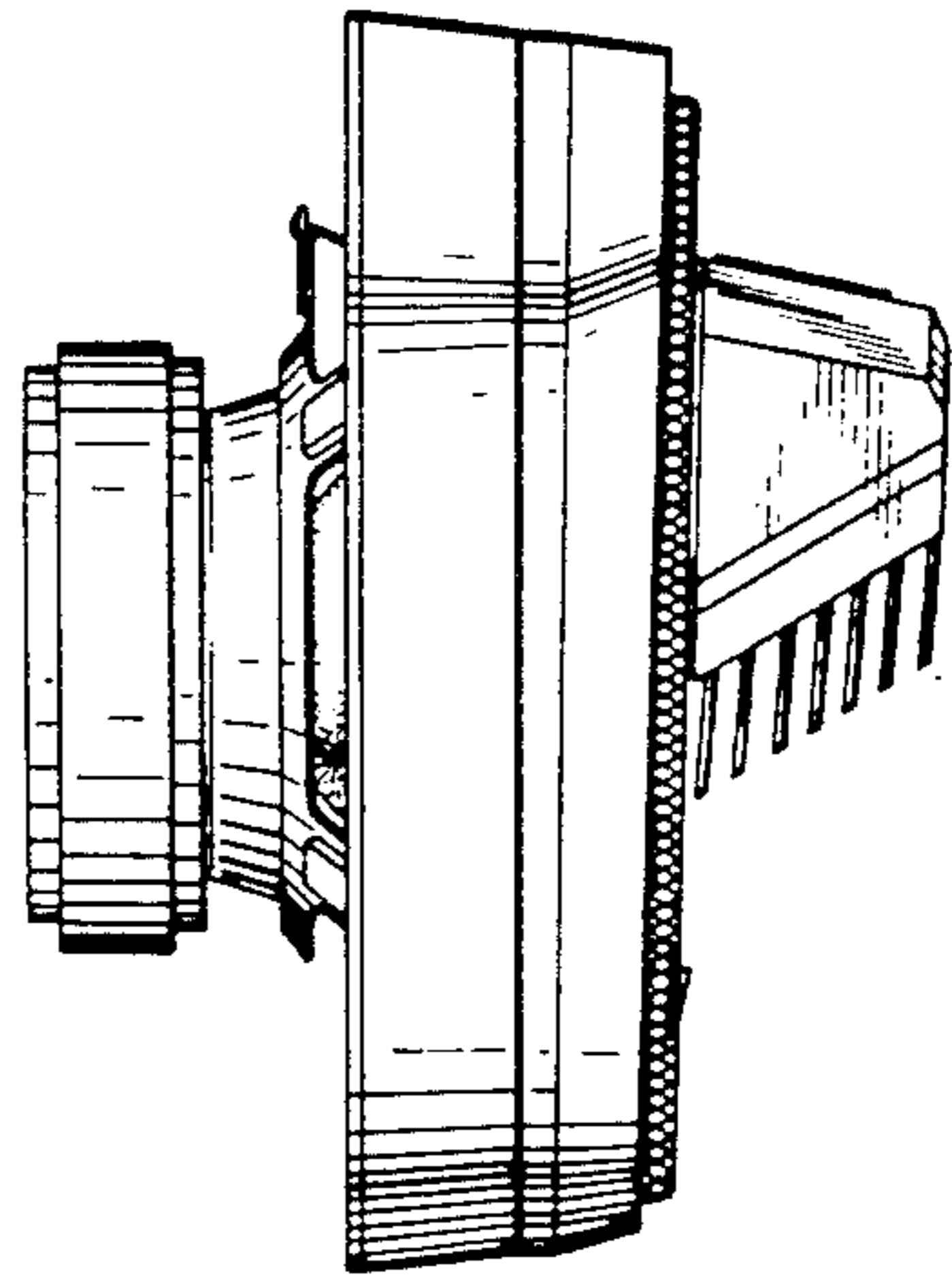


FIG. 5

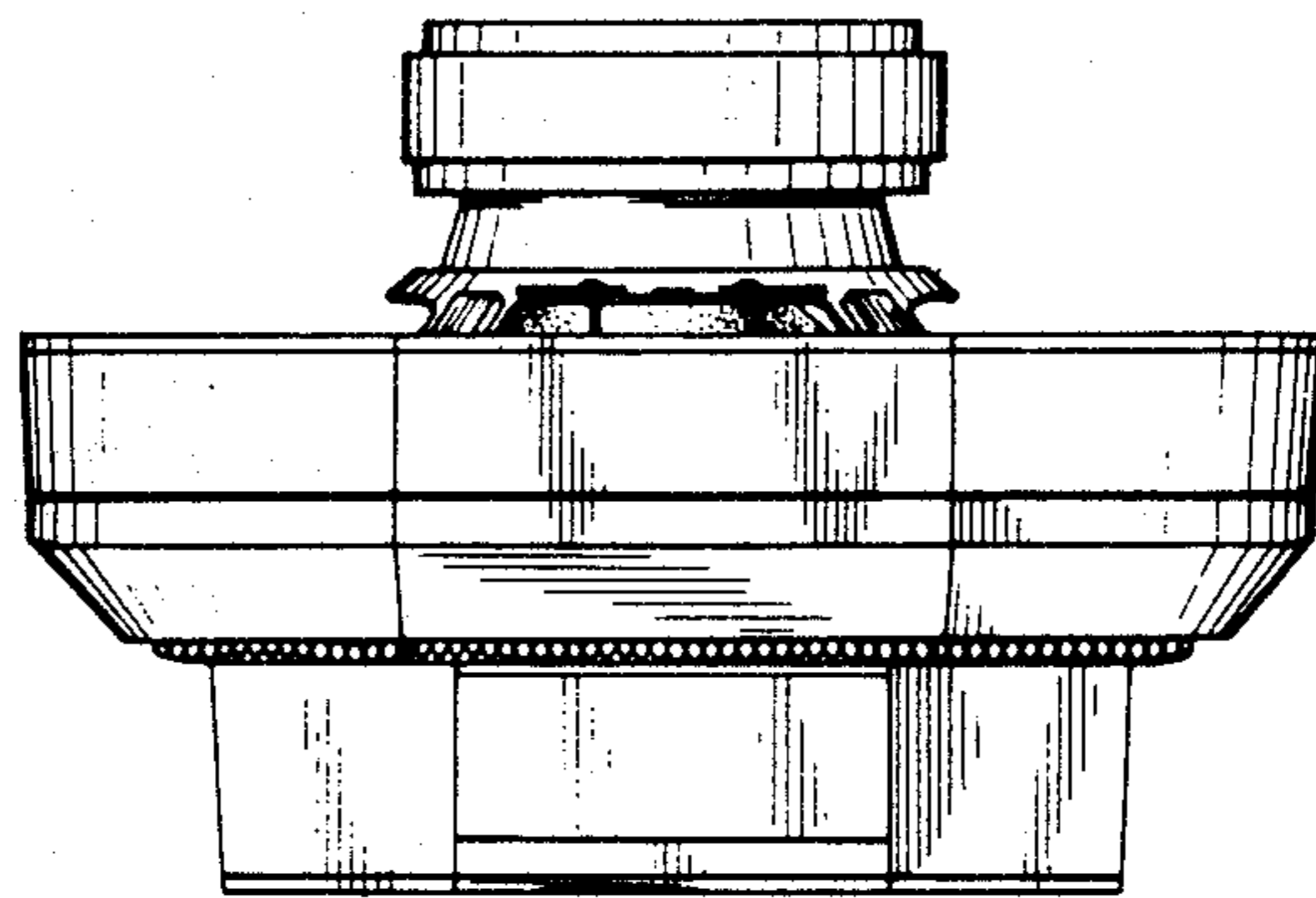


FIG. 6

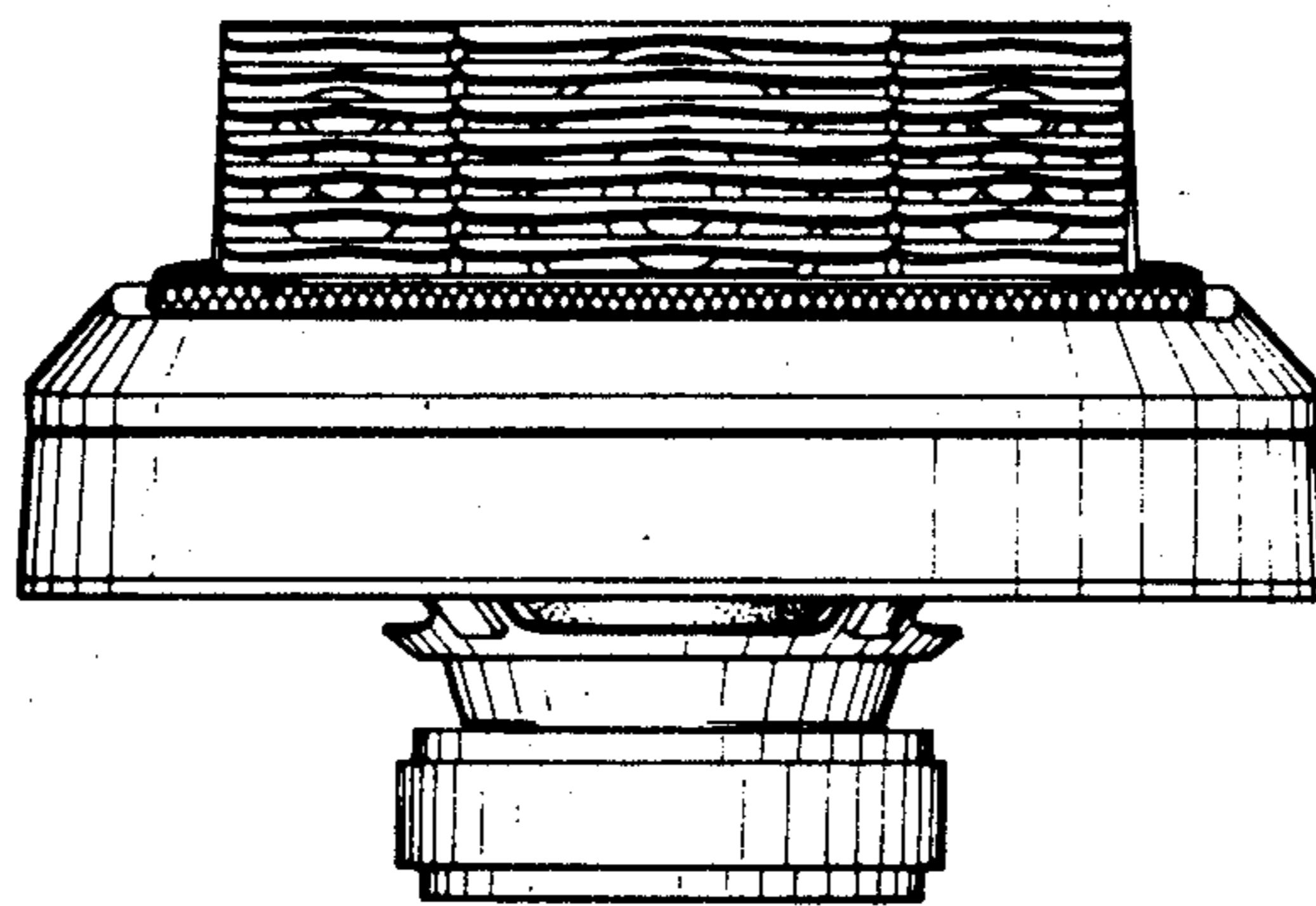


FIG. 7

