

[54] CAR SPEAKER

[75] Inventor: Tetsuo Ohtsuji, Tokyo, Japan

[73] Assignee: Pioneer Electronic Corporation, Tokyo, Japan

[**] Term: 14 Years

[21] Appl. No.: 641,155

[22] Filed: Aug. 16, 1984

[30] Foreign Application Priority Data

Feb. 21, 1984 [JP] Japan 59-6280

[52] U.S. Cl. D14/30; D14/34

[58] Field of Search D14/30, 32-34, D14/37, 39; 181/148, 151, 198, 199, 153-157; 381/56, 57, 82, 91; 179/146 E, 181 R

[56] References Cited

U.S. PATENT DOCUMENTS

- D. 281,065 10/1985 Katsuno D14/30
- D. 281,067 10/1985 Katsuno D14/30
- D. 283,125 3/1986 Davidson D14/30 X
- D. 285,303 8/1986 De Ven D14/30 X

Primary Examiner—Louis S. Zarfes
Attorney, Agent, or Firm—Sughrue, Mion, Zinn, Macpeak, and Seas

[57] CLAIM

The ornamental design for a car speaker, as shown.

DESCRIPTION

FIG. 1 is a front elevational view of a car speaker showing my new design;
 FIG. 2 is a rear elevational view thereof;
 FIG. 3 is a right side elevational view thereof;
 FIG. 4 is a left side elevational view thereof;
 FIG. 5 is a top plan view thereof;
 FIG. 6 is a bottom plan view thereof; and
 FIG. 7 is a perspective view thereof.

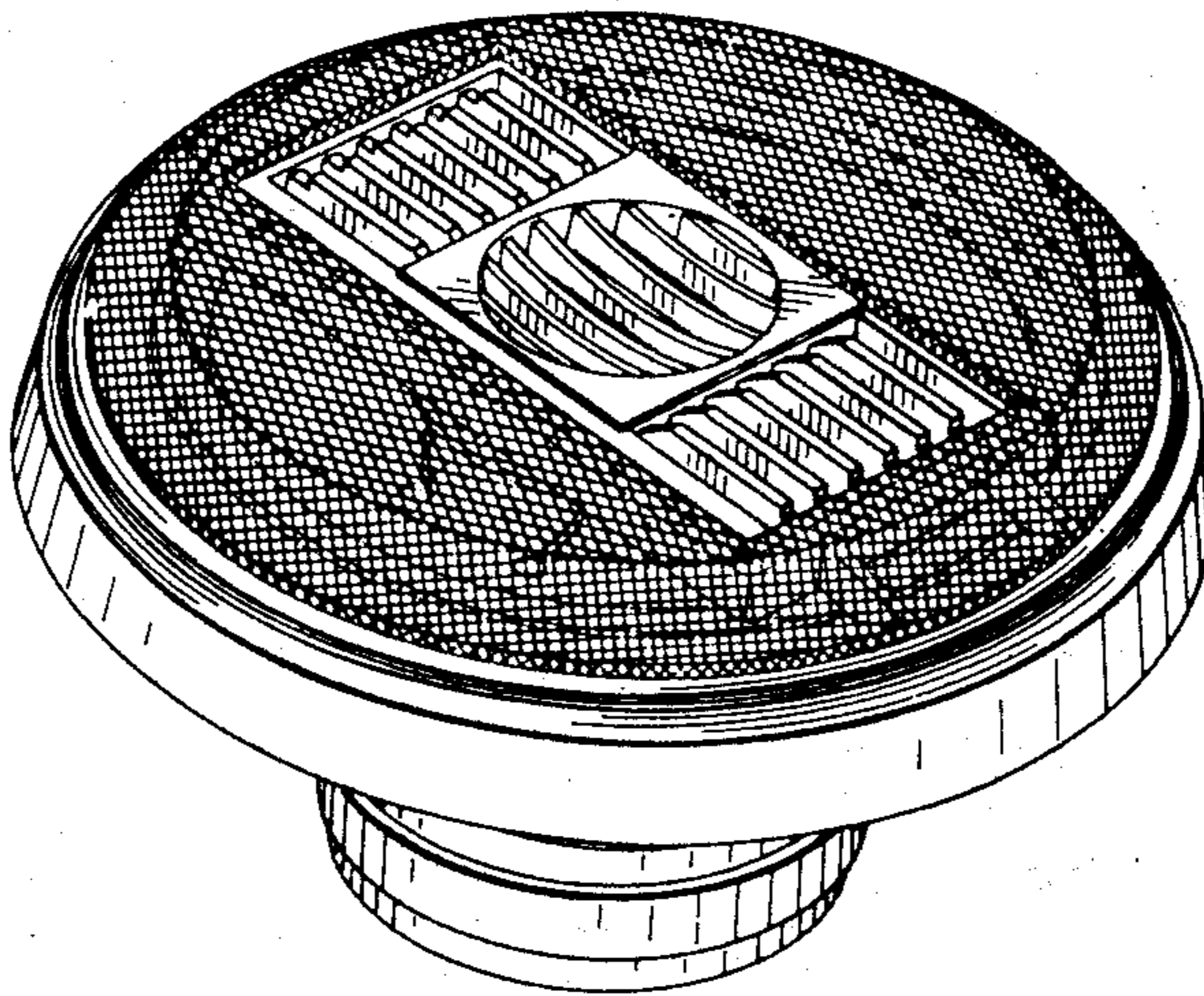


FIG. 1

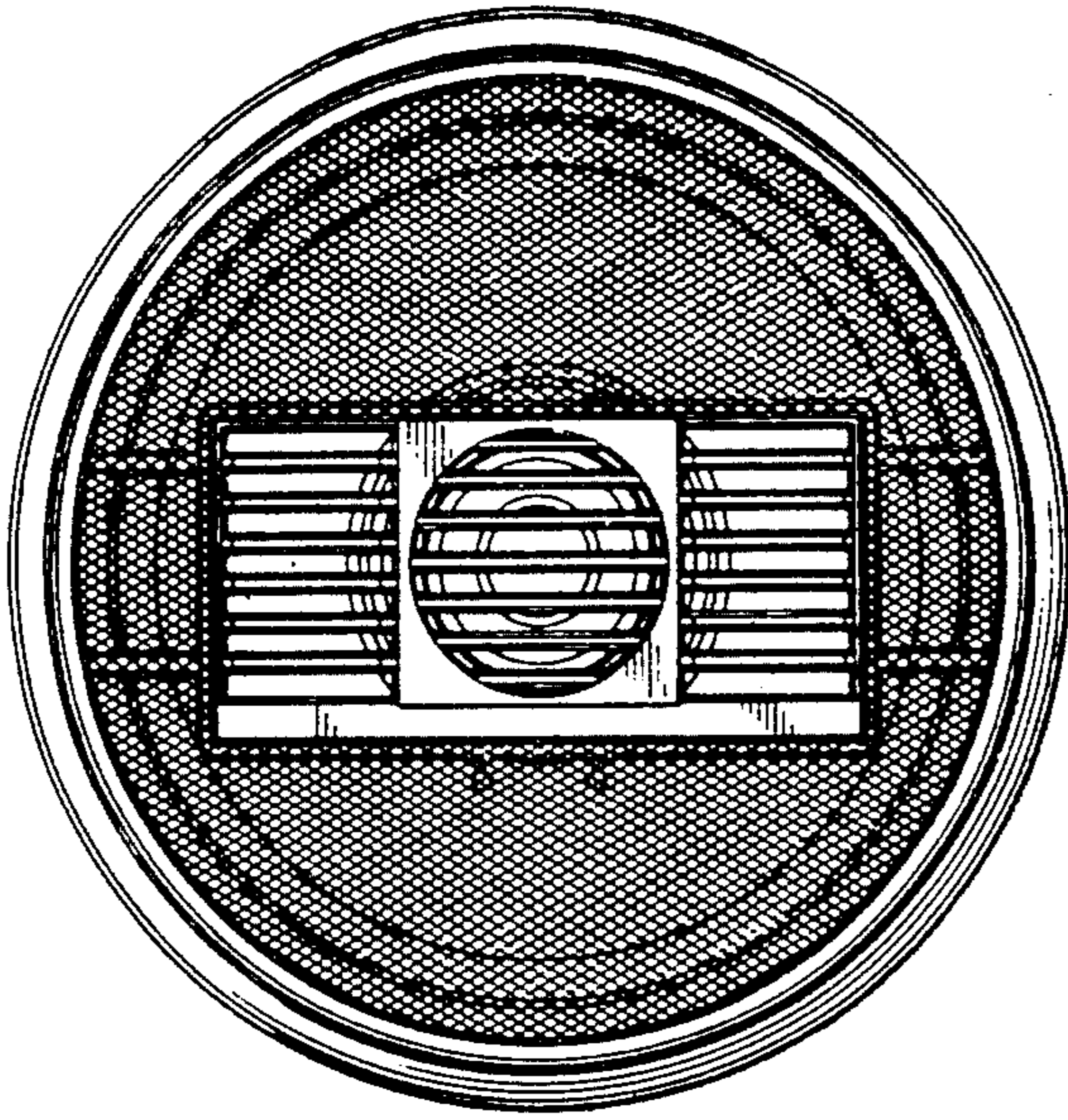


FIG. 3

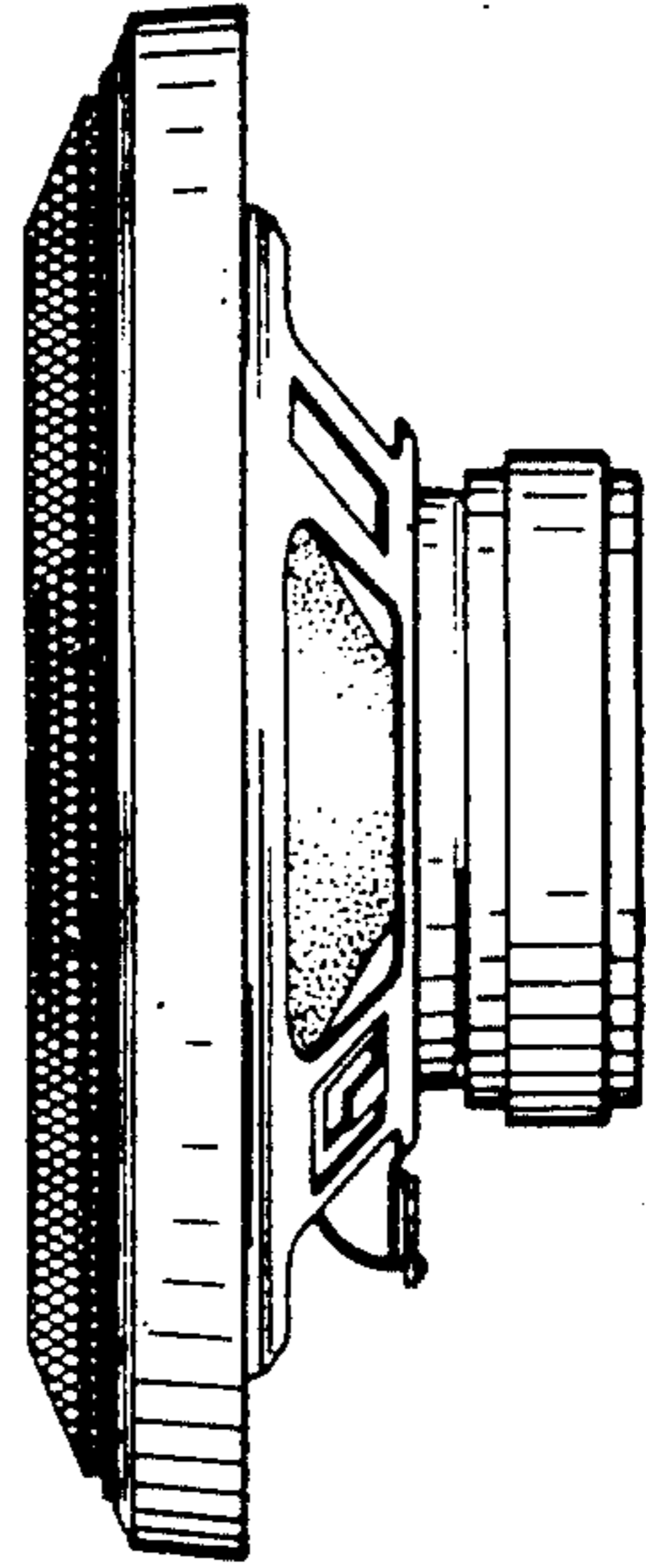


FIG. 2

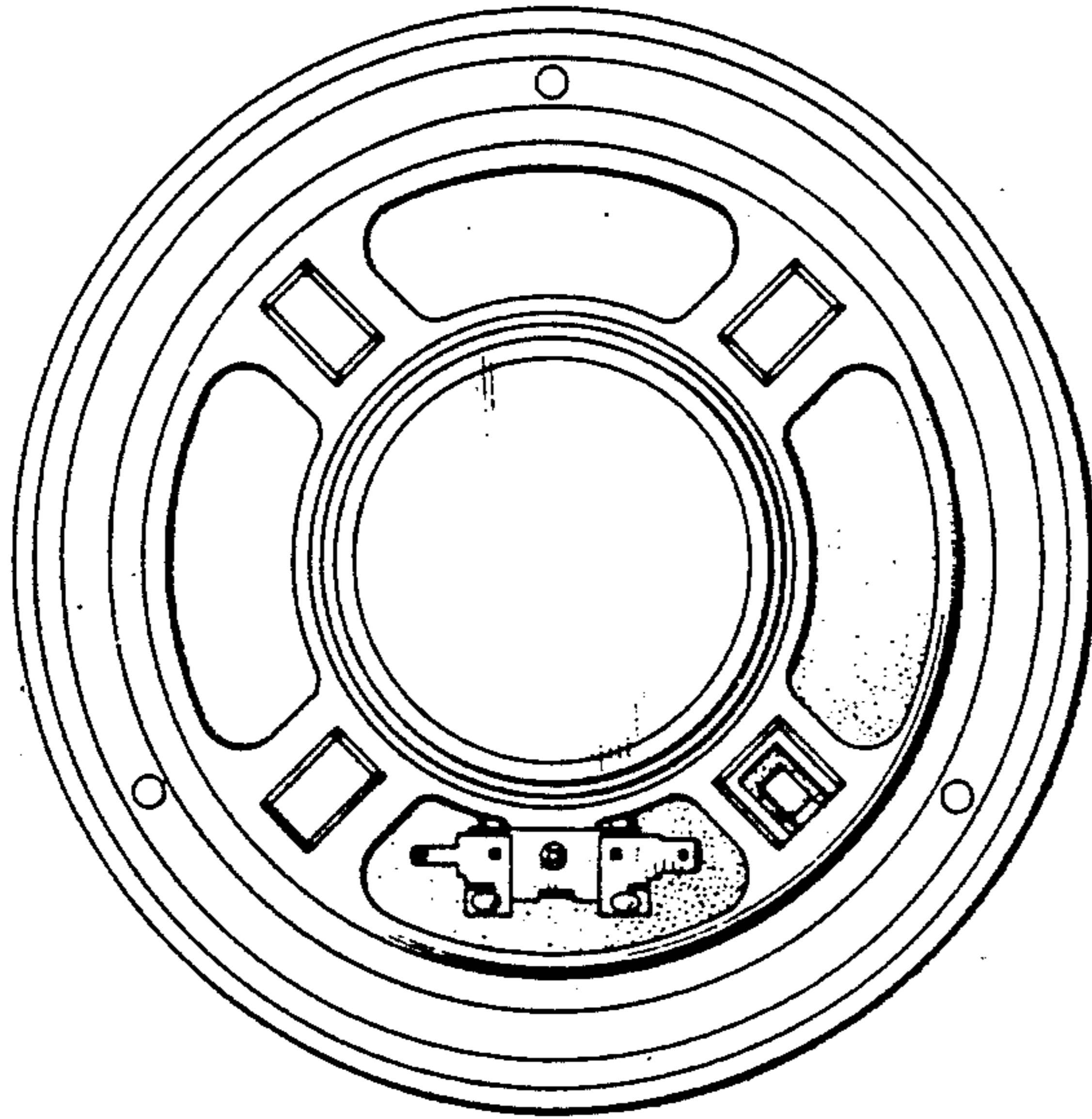


FIG. 4

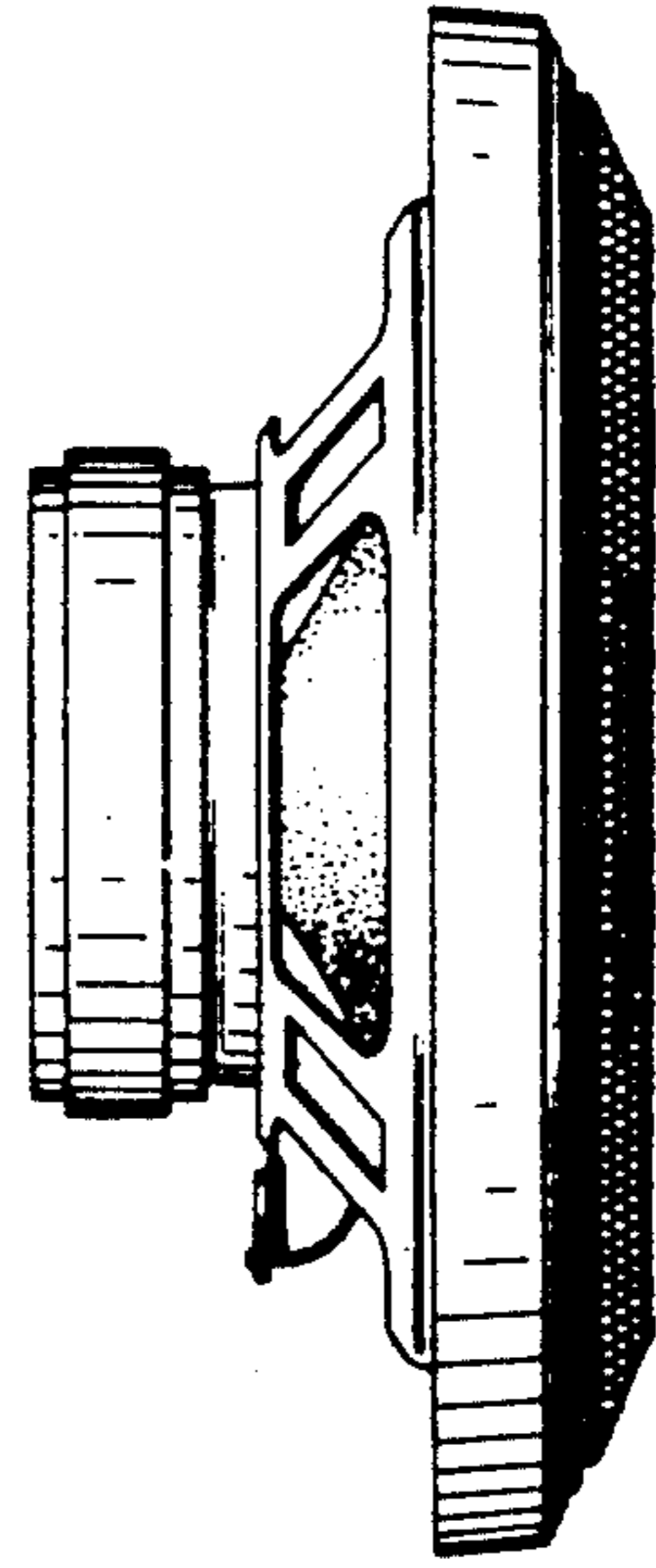


FIG. 5

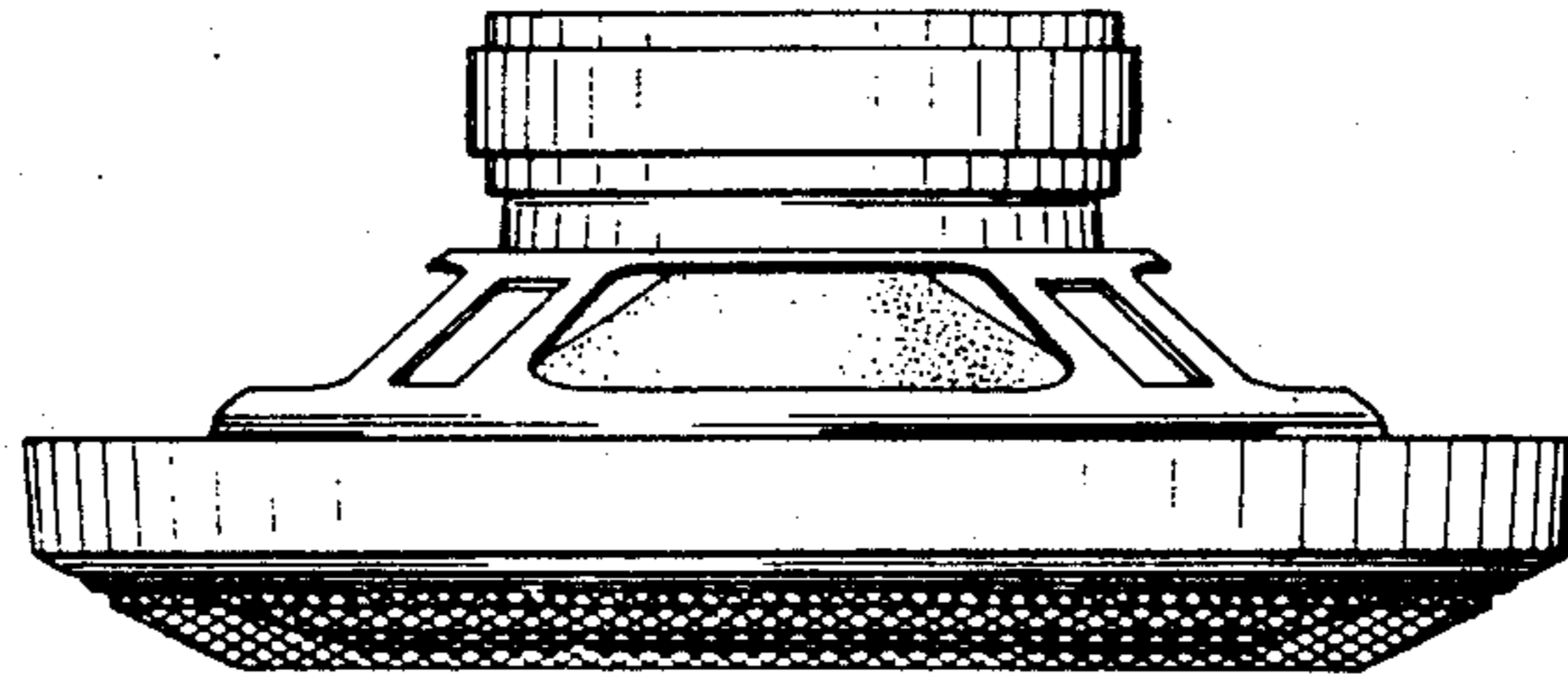


FIG. 6

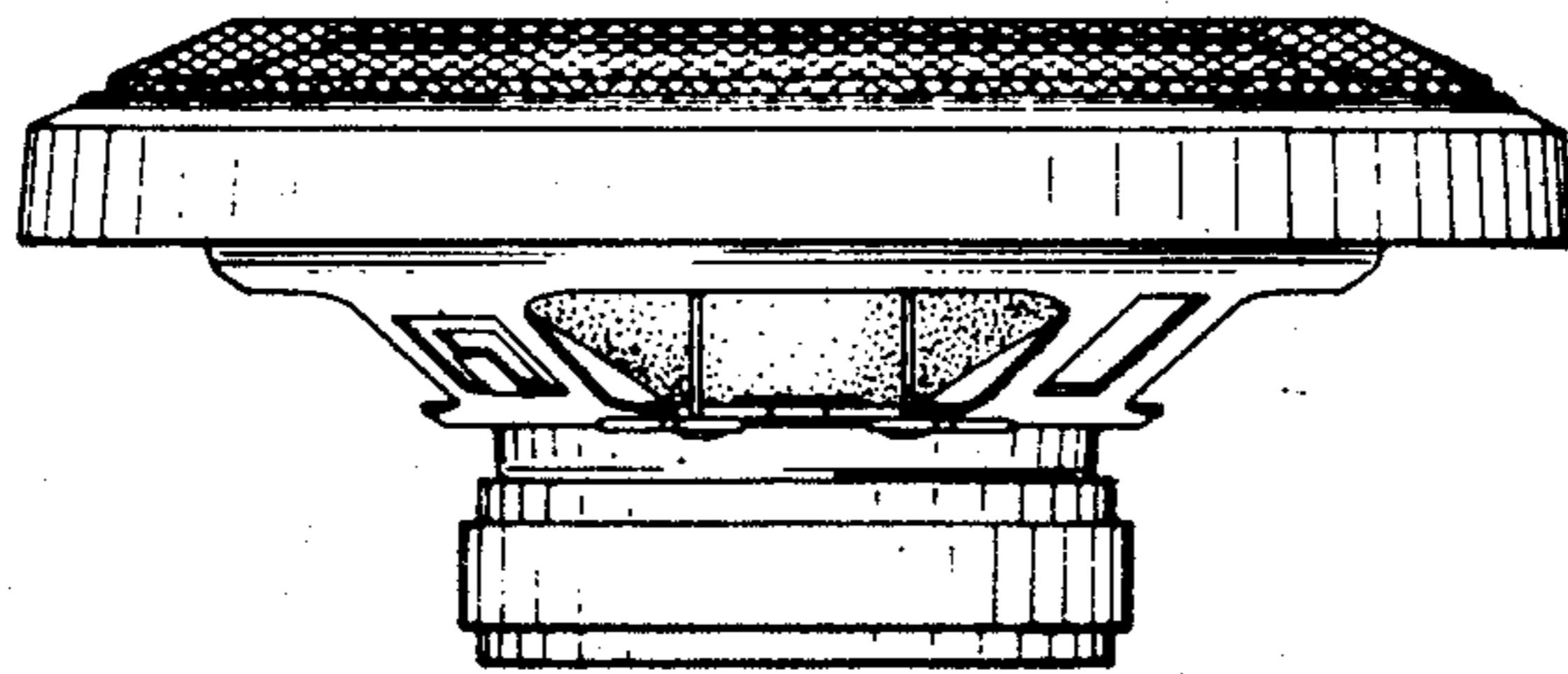


FIG. 7

