

[54] PAIR OF AUTOMOTIVE STEP PLATES

[76] Inventor: Leroy O. Parno, 5747 E. Admiral Pl., Tulsa, Okla. 74115

[\*\*] Term: 14 Years

[21] Appl. No.: 544,849

[22] Filed: Oct. 24, 1983

[52] U.S. Cl. .... D12/203

[58] Field of Search ..... D12/203; 280/163

[56] References Cited

U.S. PATENT DOCUMENTS

D. 249,501 9/1978 Chapman ..... D12/203

OTHER PUBLICATIONS

Dahlstrom Metal Mouldings & Shapes catalog, No. 12, ©1969, p. 23, Channel Section No. 1948 and 137, lower left side of page.

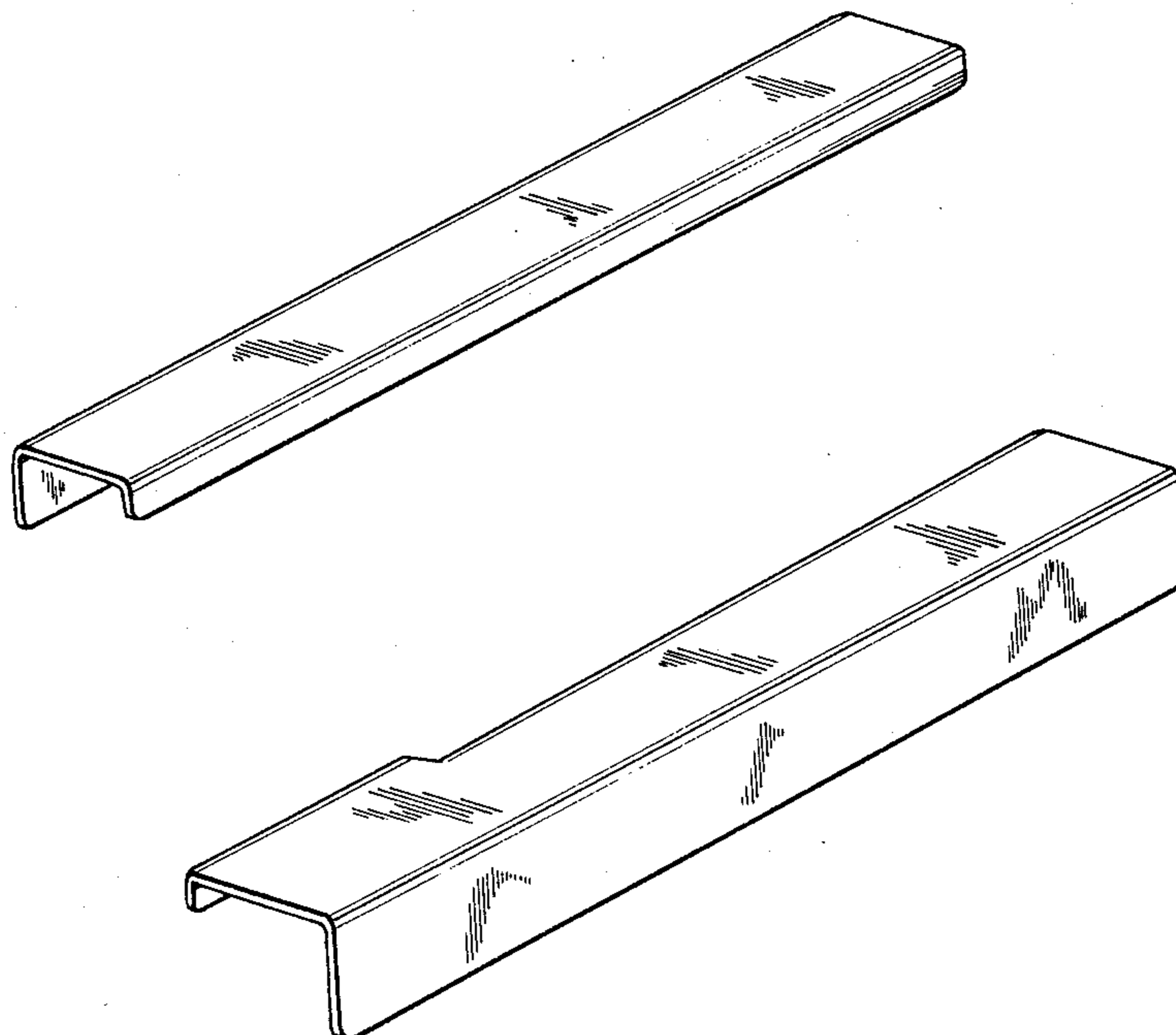
Primary Examiner—James M. Gandy  
Attorney, Agent, or Firm—Birch, Stewart, Kolasch & Birch

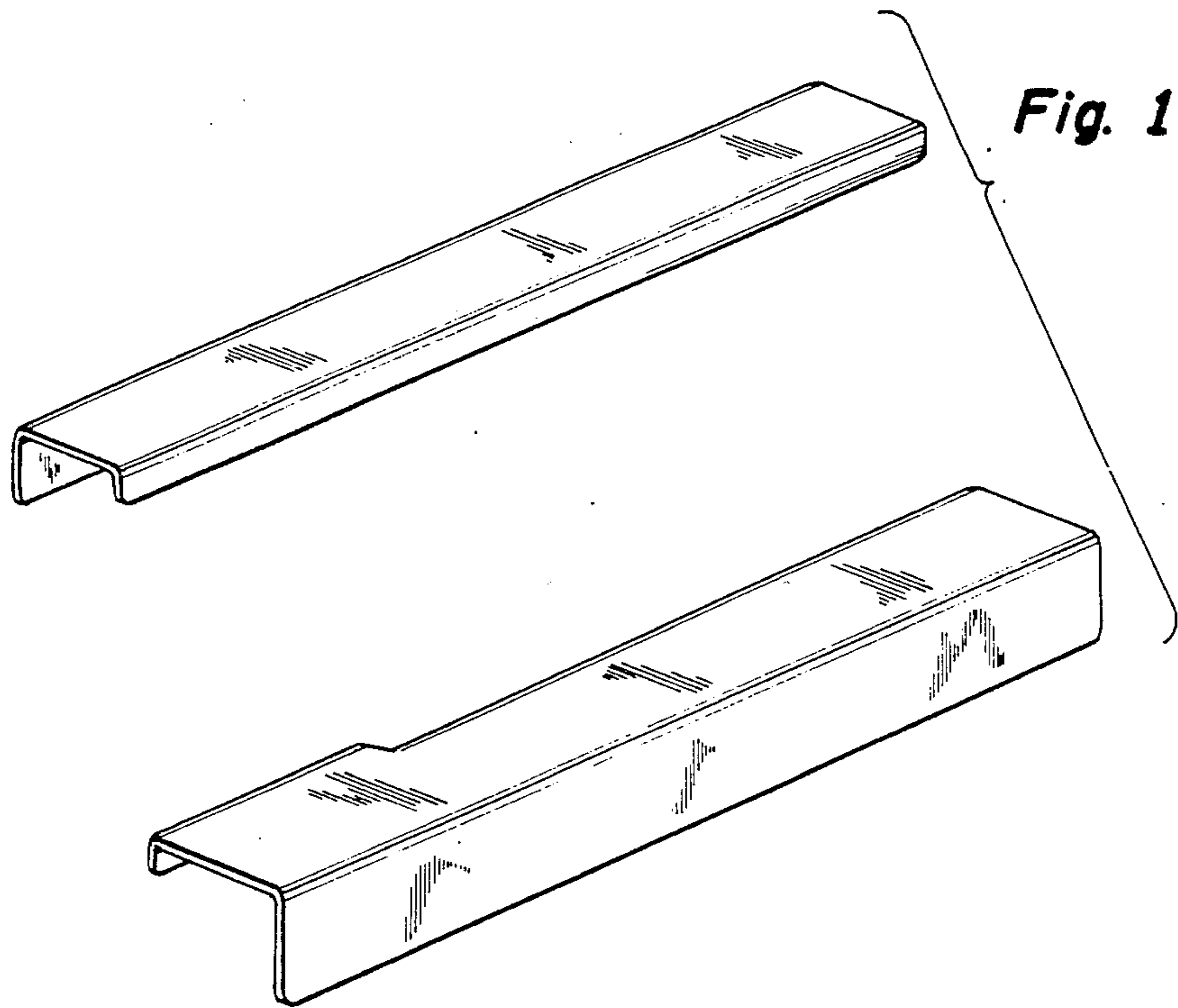
[57] CLAIM

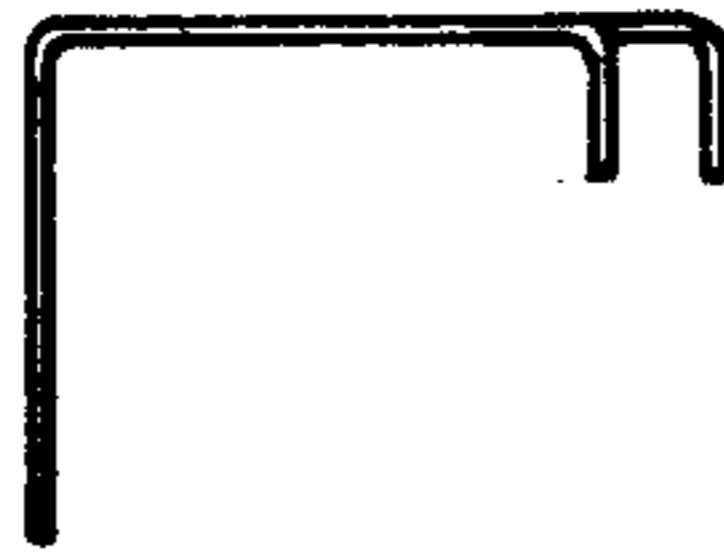
The ornamental design for a pair of automotive step plates, substantially as shown and described.

DESCRIPTION

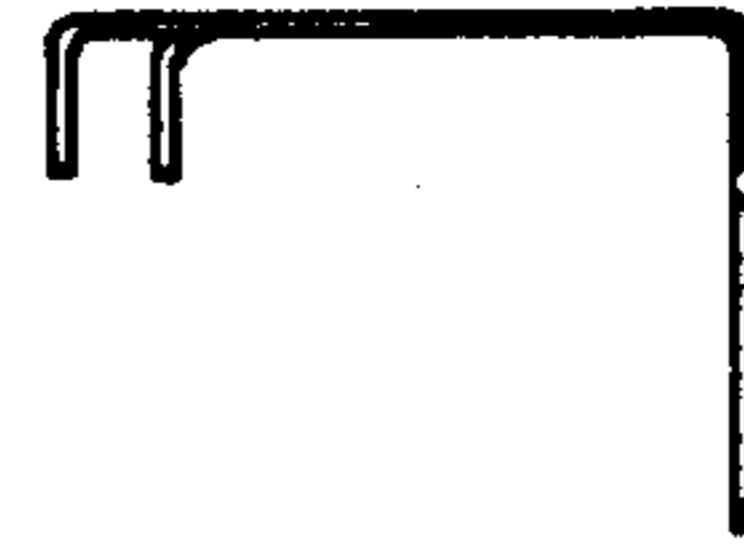
FIG. 1 is a perspective view of a pair of automotive step plates showing my new design;  
FIG. 2 is a front elevational view of the driver's side step plate;  
FIG. 3 is a front elevational view of the passenger's side step plate;  
FIG. 4 is a top plan view of the driver's side step plate;  
FIG. 5 is a top plan view of the passenger's side step plate;  
FIG. 6 is a rear elevational view of the driver's side step plate;  
FIG. 7 is a rear elevational view of the passenger's side step plate;  
FIG. 8 is a bottom plan view of the driver's side step plate;  
FIG. 9 is a bottom plan view of the passenger's side step plate;  
FIGS. 10 and 11 are end elevational views of the driver's side step plate of FIG. 1; and  
FIG. 12 is an end elevational view of the passenger's side step plate of FIG. 2.



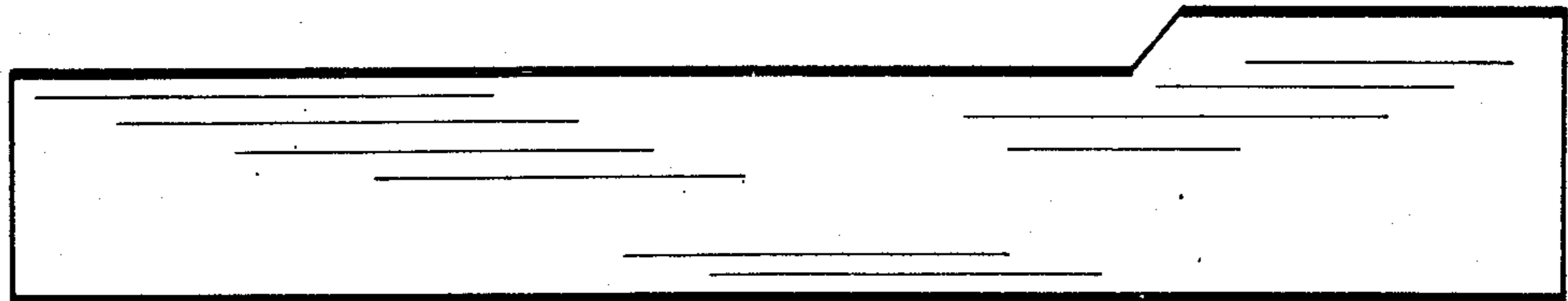




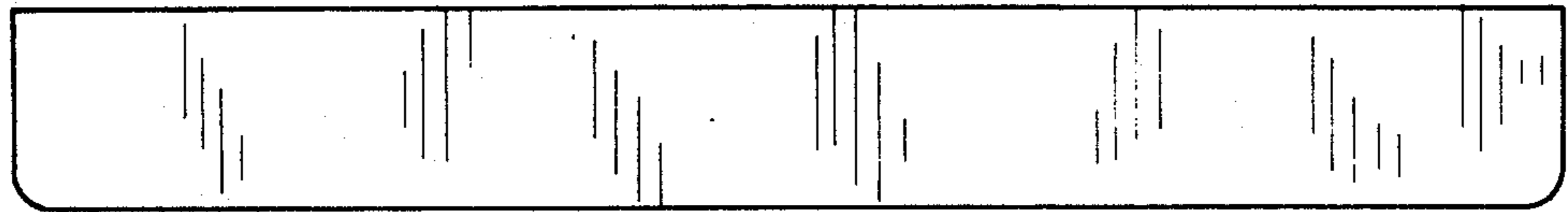
*Fig. 10*



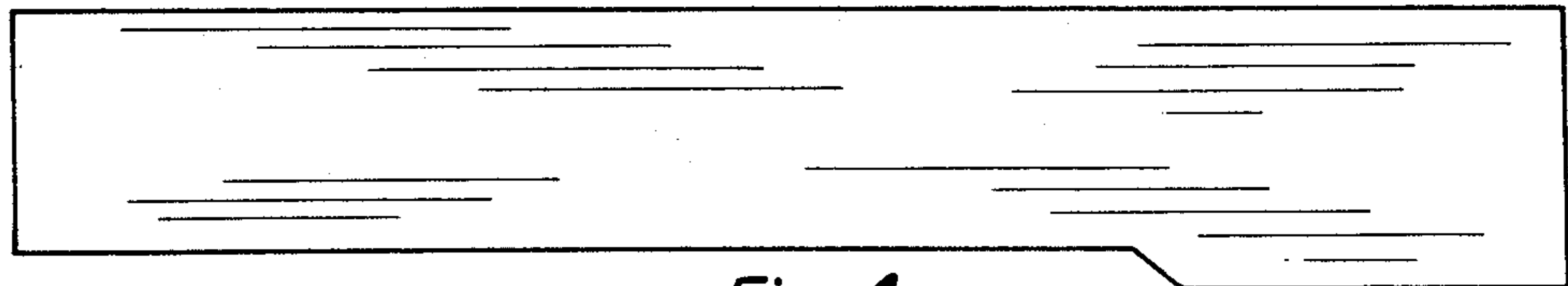
*Fig. 11*



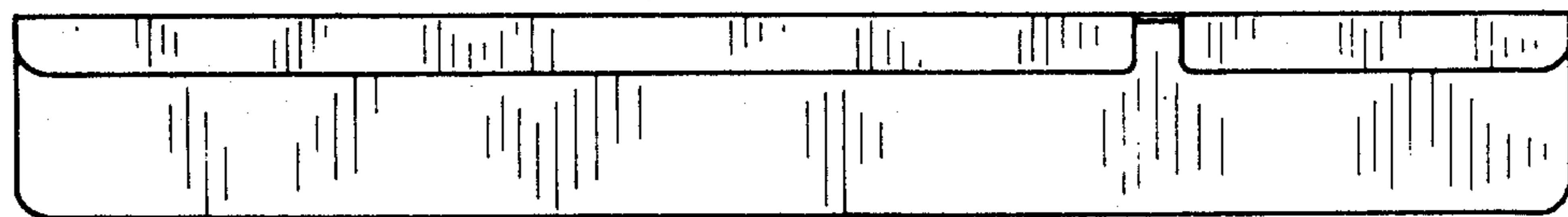
*Fig. 8*



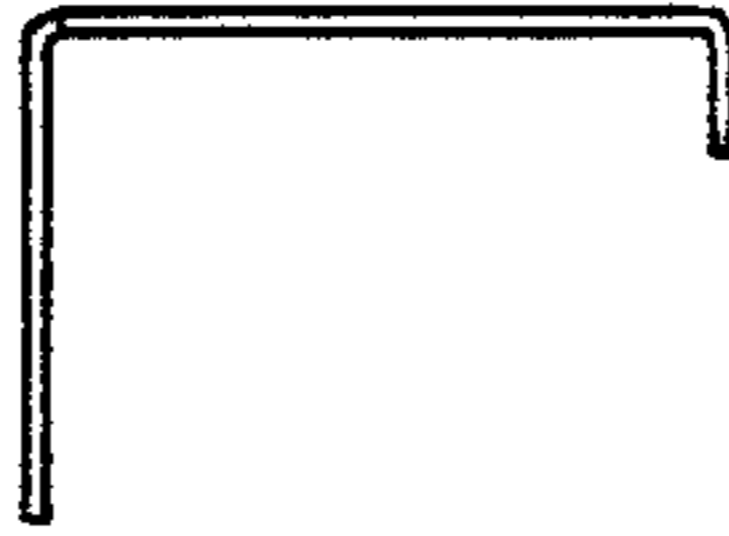
*Fig. 6*



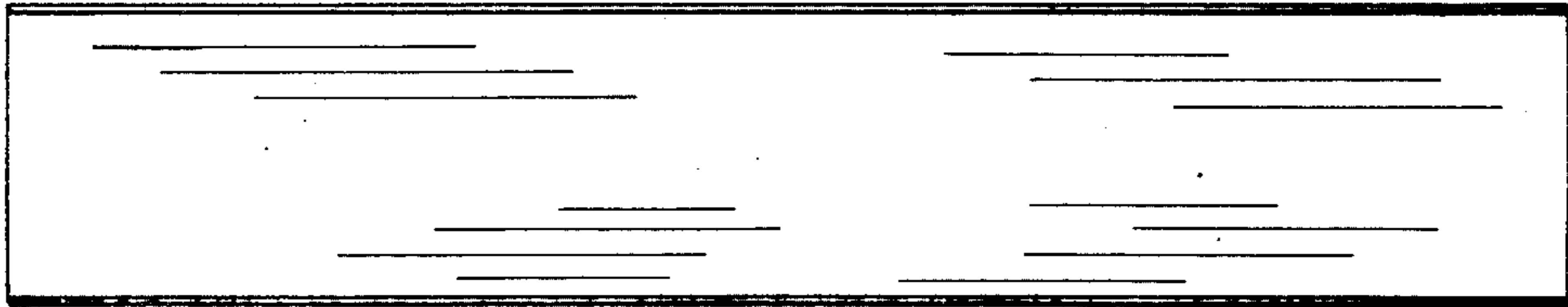
*Fig. 4*



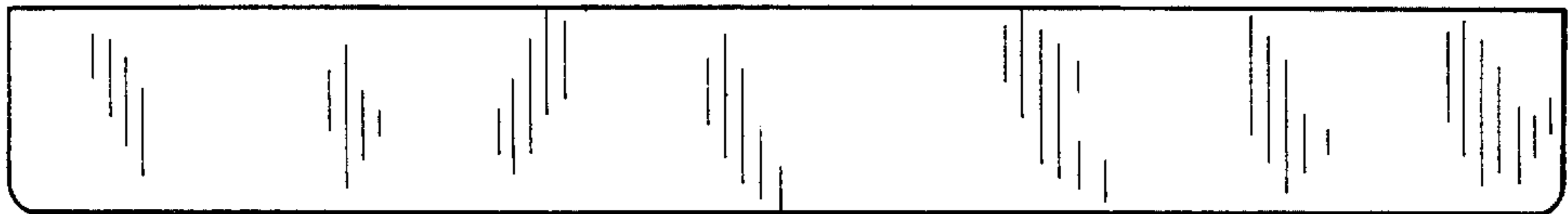
*Fig. 2*



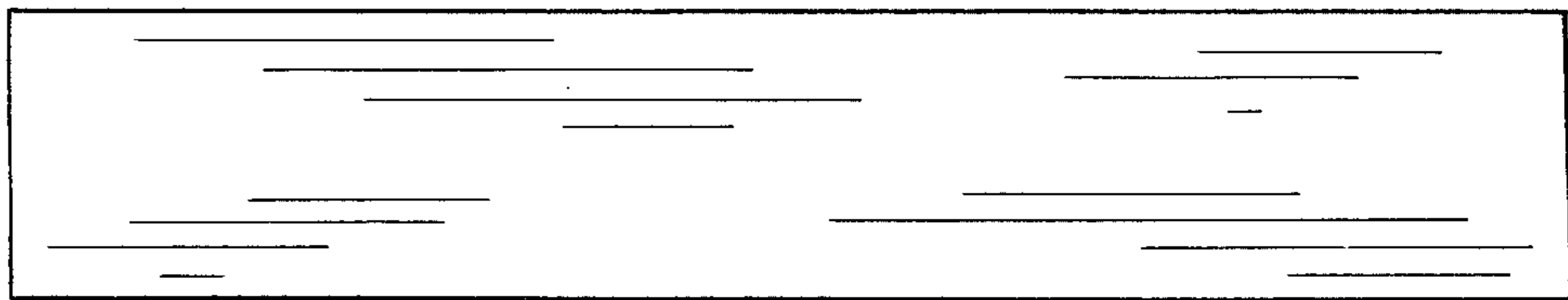
*Fig. 12*



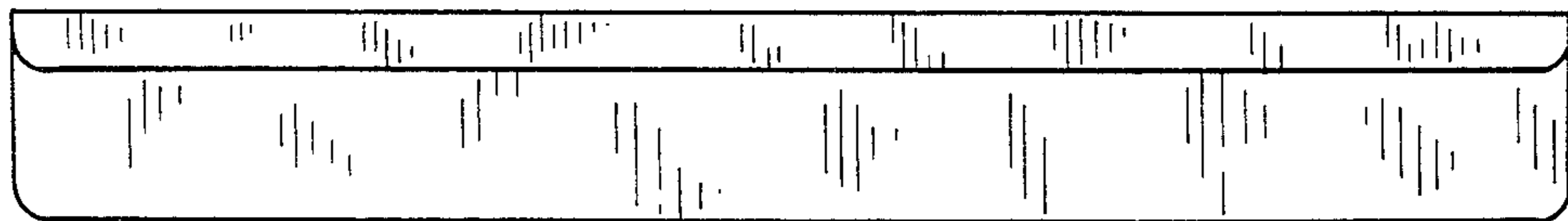
*Fig. 9*



*Fig. 7*



*Fig. 5*



*Fig. 3*