

[54] TIRE FOR A VEHICLE WHEEL

[75] Inventor: Romano Guermandi, Milan, Italy

[73] Assignee: Societa' Pneumatici Pirelli, Italy

[**] Term: 14 Years

[21] Appl. No.: 644,682

[22] Filed: Aug. 27, 1984

[30] Foreign Application Priority Data

Feb. 29, 1984 [IT] Italy 21046/84[U]

[52] U.S. Cl. D12/146

[58] Field of Search D12/136, 140, 145-151;
152/209 R, 209 D, 209 B

[56] References Cited

U.S. PATENT DOCUMENTS

- D. 64,710 5/1924 Belden D12/146
- D. 67,669 6/1925 Merriman D12/147
- D. 278,618 4/1985 Kojima et al. D12/140
- D. 283,809 5/1986 Kuramochi et al. D12/145

FOREIGN PATENT DOCUMENTS

2046188 11/1980 United Kingdom 152/209 D

OTHER PUBLICATIONS

1984 Tread Design Guide, ©1/84, p. 53, Ohtsu Falken FX-06C and 07A Tires, top right side of page.

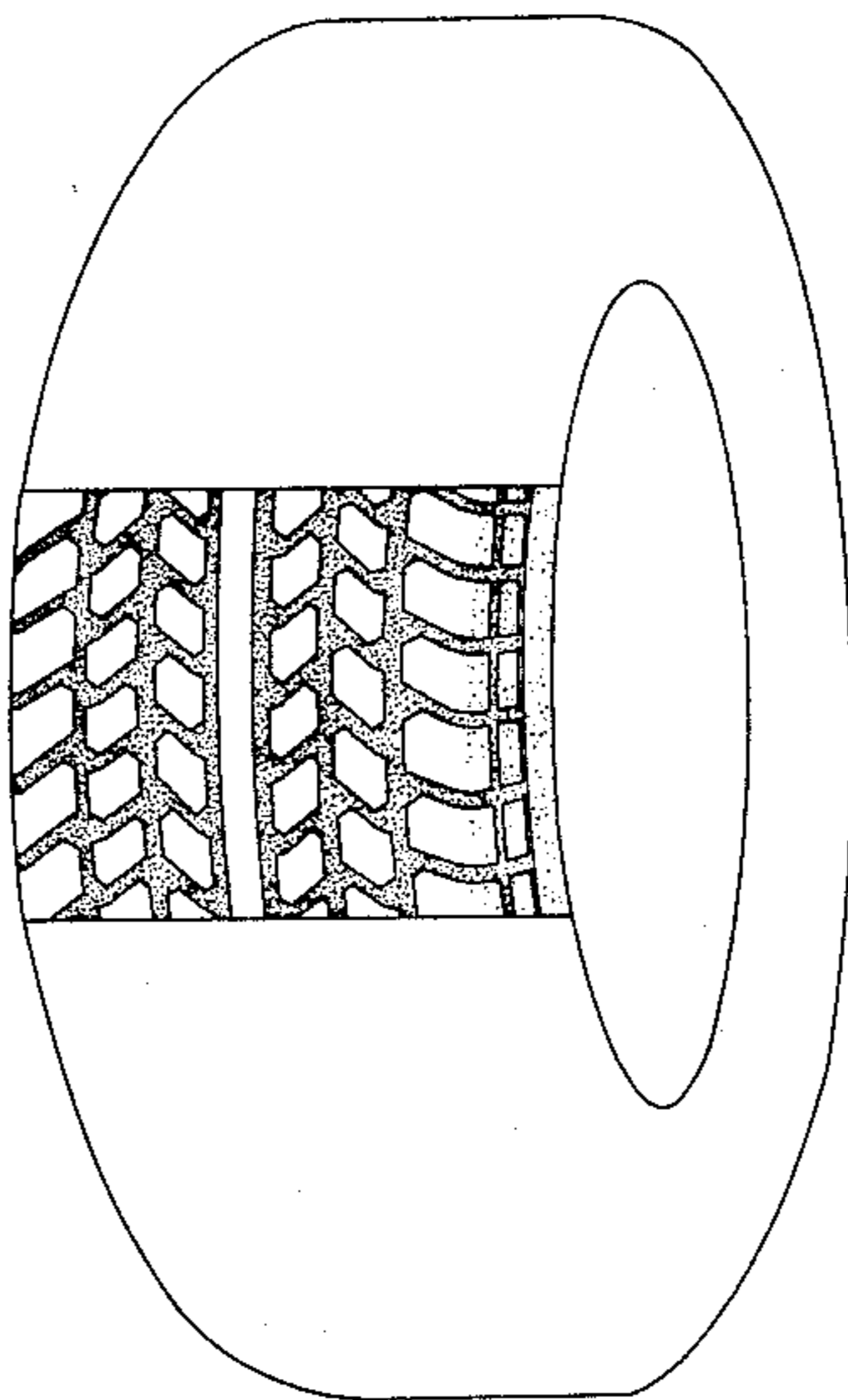
Primary Examiner—James M. Gandy
Attorney, Agent, or Firm—Stevens, Davis, Miller & Mosher

[57] CLAIM

The ornamental design for a tire for a vehicle wheel, as shown and described.

DESCRIPTION

FIG. 1 is a perspective view of a tire for a vehicle wheel showing my new design it being understood that the tread pattern is repeated uniformly throughout the circumference of the tire as shown schematically by solid lines and the opposite side is the same as that shown; FIG. 2 is a front elevation view thereof in inverted condition; and FIG. 3 is a side elevation view thereof on a reduced scale.



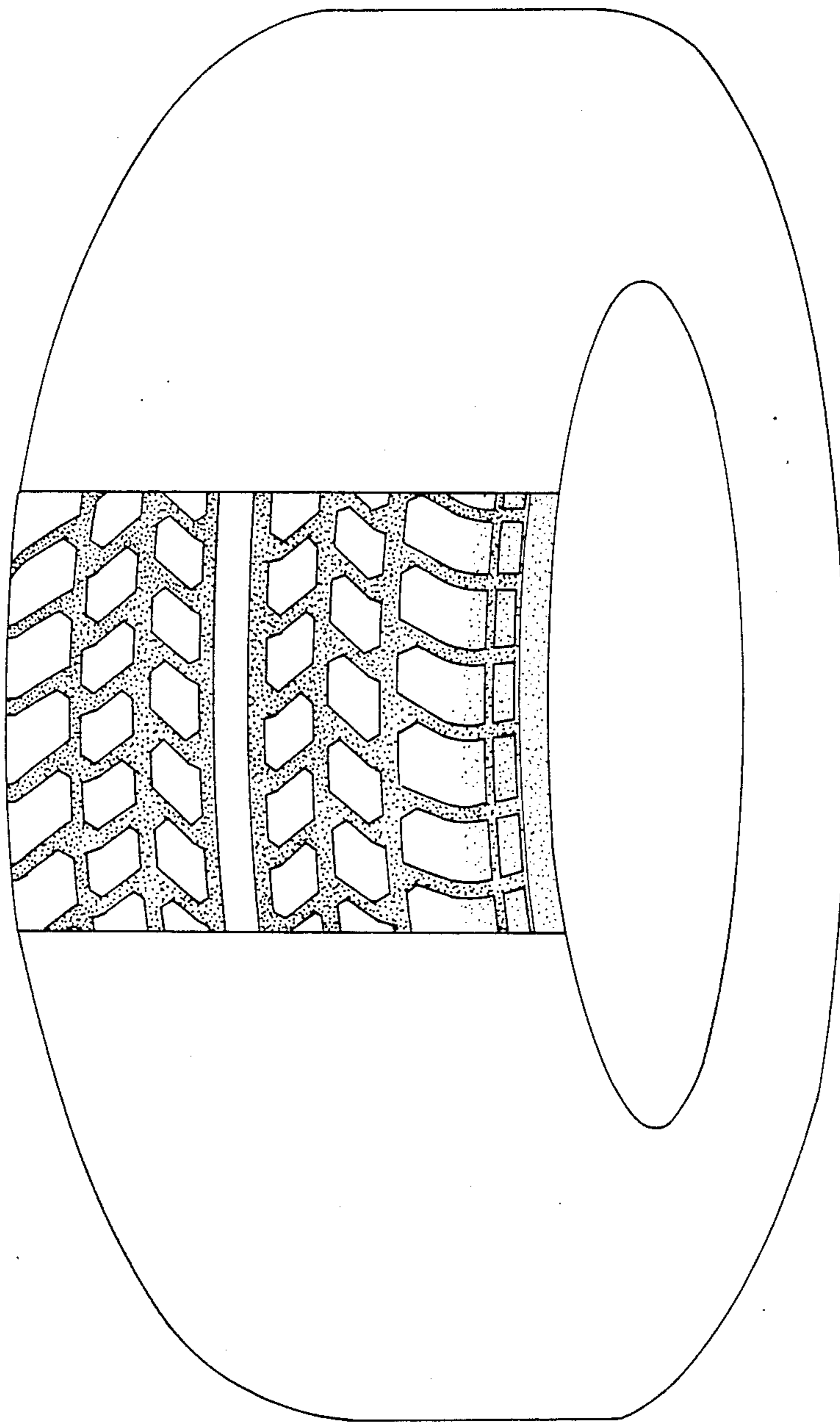


FIG 1

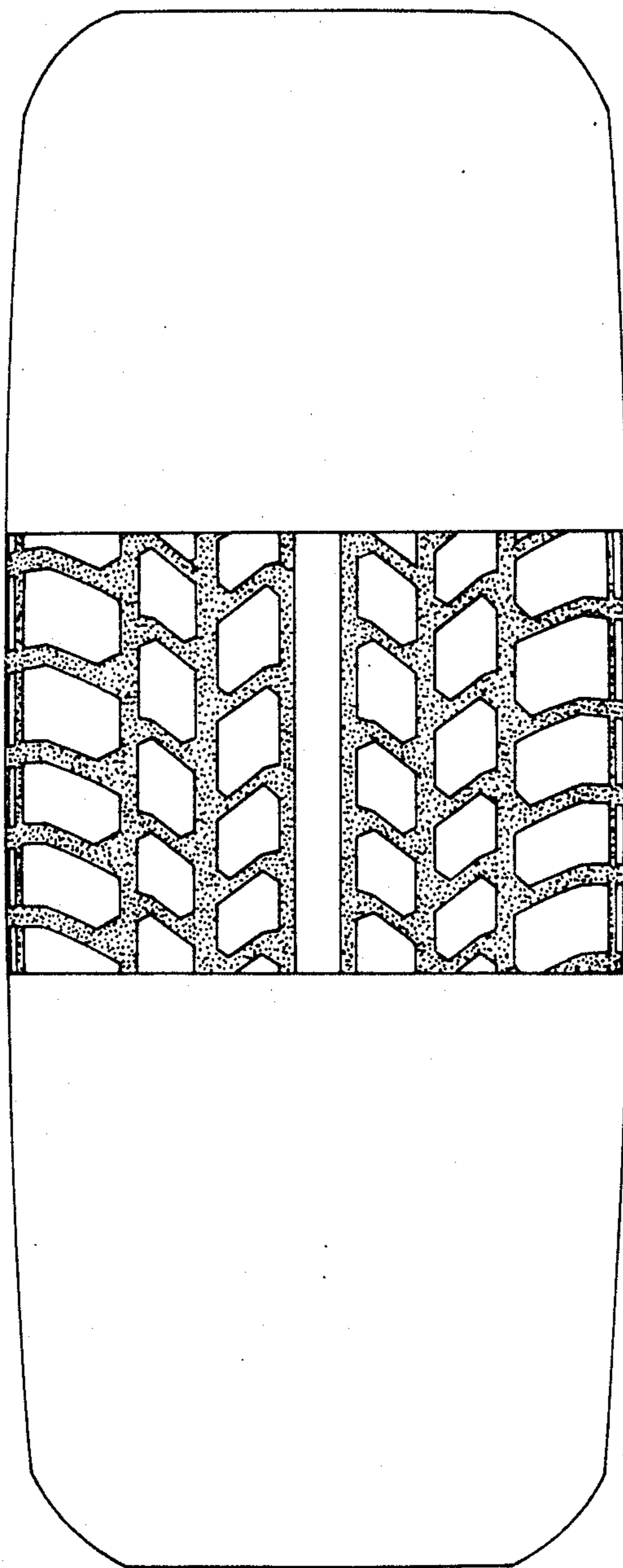


FIG 2

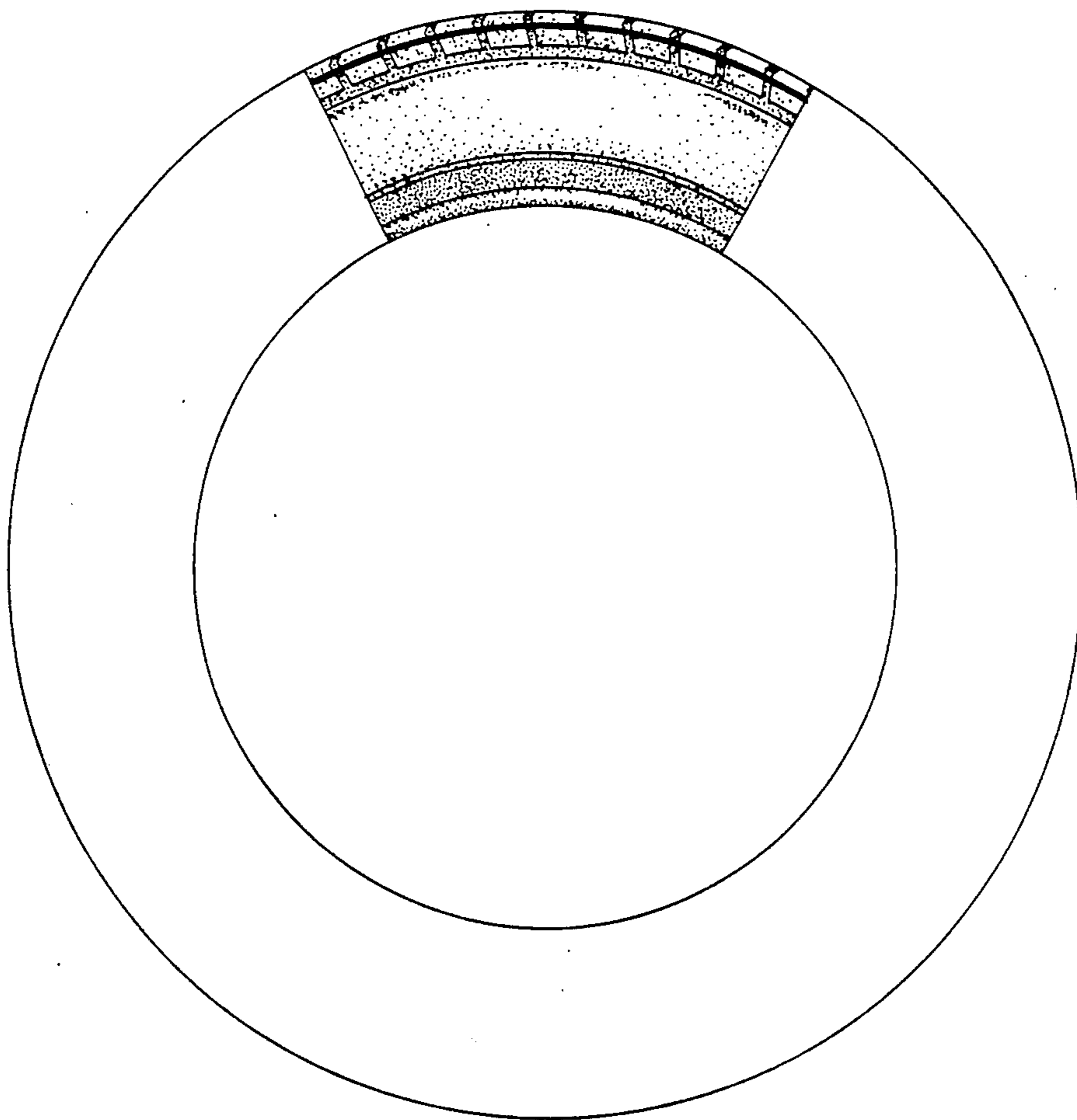


FIG 3