

[54] TELEPHONE LINE POLARITY TESTER

[76] Inventor: Randy J. Breil, 5352 Belle Ave., Cypress, Calif. 90630

[**] Term: 14 Years

[21] Appl. No.: 717,434

[22] Filed: Mar. 28, 1985

[52] U.S. Cl. D10/78; D10/103

[58] Field of Search D10/46, 75, 78, 103; 379/27, 438, 396, 442, 32; 324/133

[56] References Cited

U.S. PATENT DOCUMENTS

D. 288,416	2/1987	Romano	D10/78
4,263,550	4/1987	Schweitzer	324/133
4,533,796	8/1985	Engelmore	379/438 X

4,533,864	8/1985	Austin	324/72.5 X
4,564,728	1/1986	Romano	379/27 X
4,600,810	7/1986	Feldman	379/27 X
4,620,070	10/1986	Ruehl	379/27
4,626,633	12/1986	Ruehl	379/27

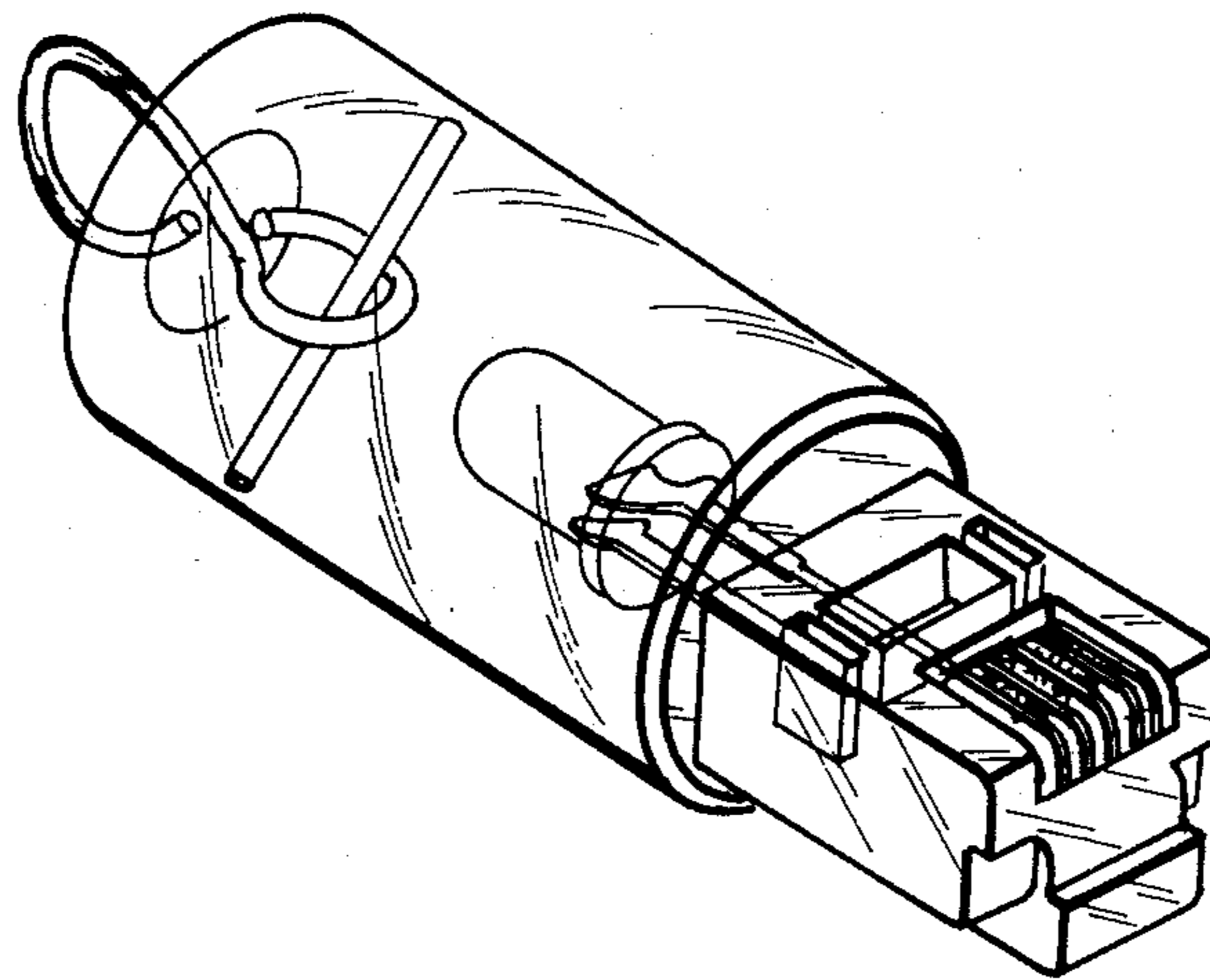
Primary Examiner—Nelson C. Holtje
Attorney, Agent, or Firm—Dominick Nardelli

[57] CLAIM

The ornamental design for a telephone line polarity tester, as shown and described.

DESCRIPTION

FIG. 1 is a left and top-front perspective view of a telephone line polarity tester showing my new design; FIG. 2 is a right side elevational view thereof; FIG. 3 is a bottom plan view thereof; FIG. 4 is a rear elevational view thereof.



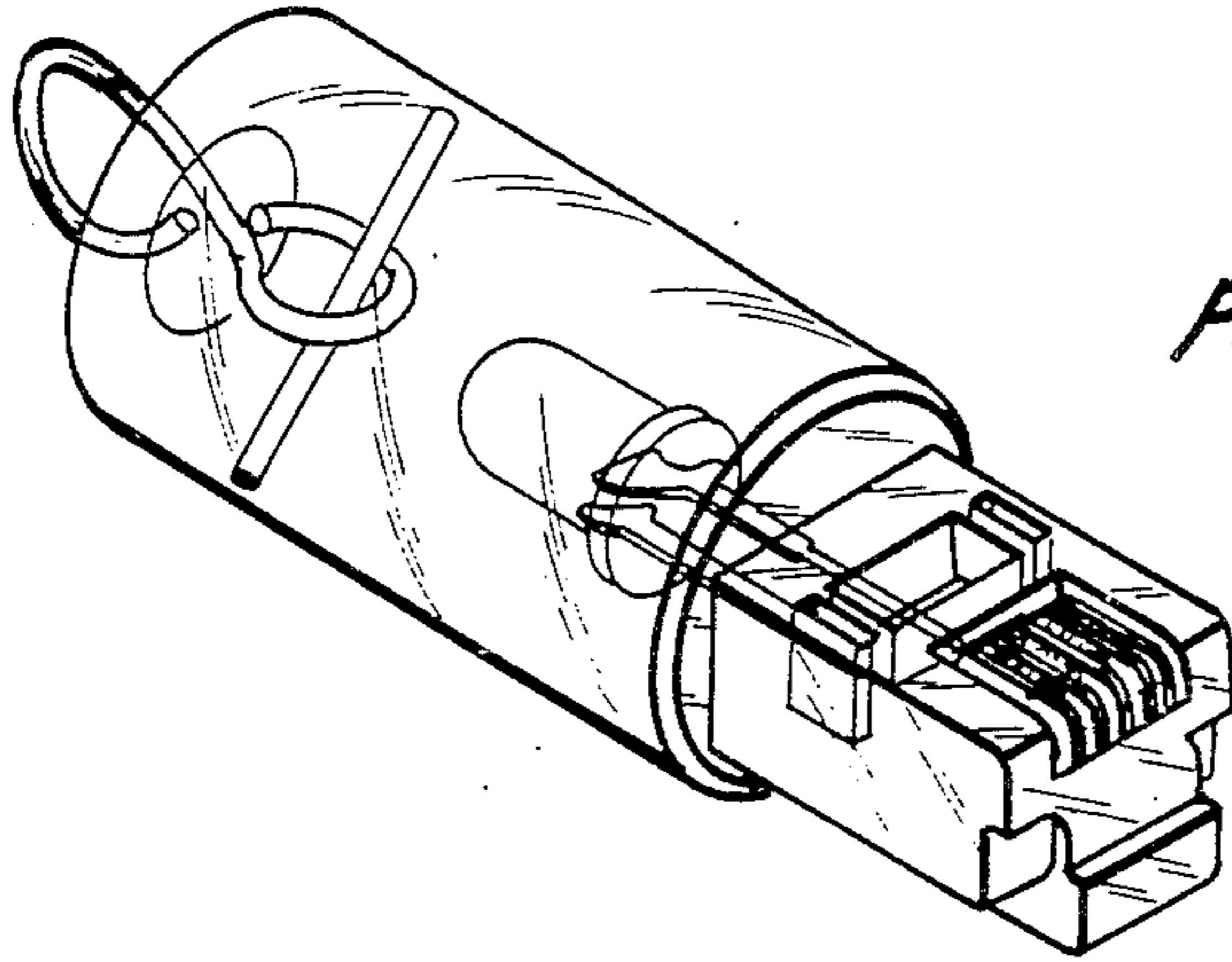


Fig. 1

Fig. 2

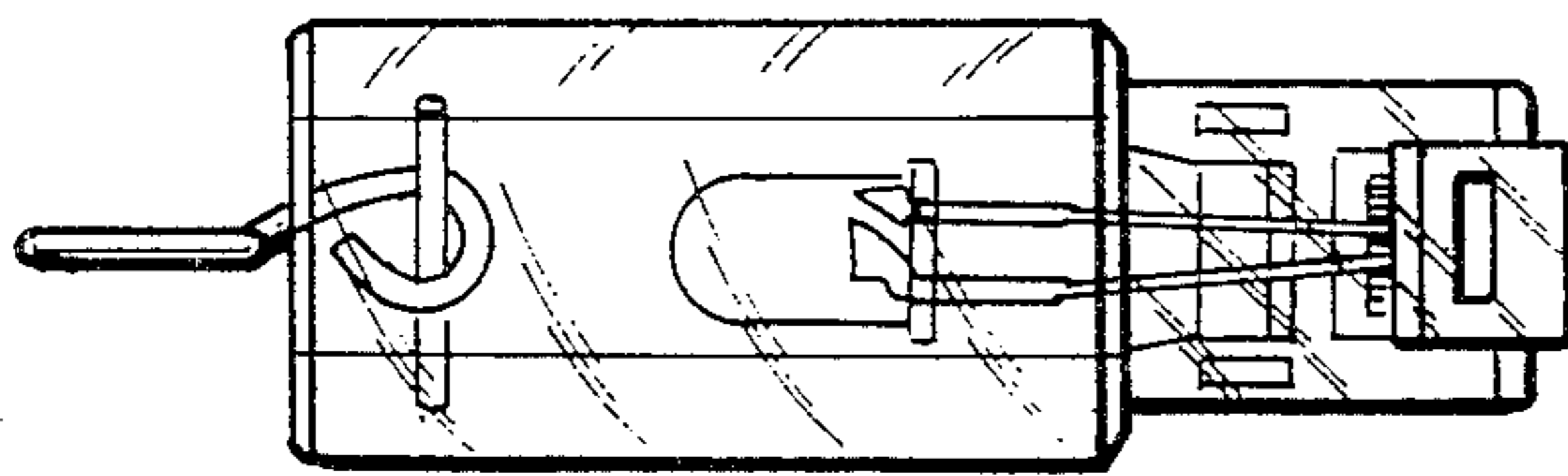
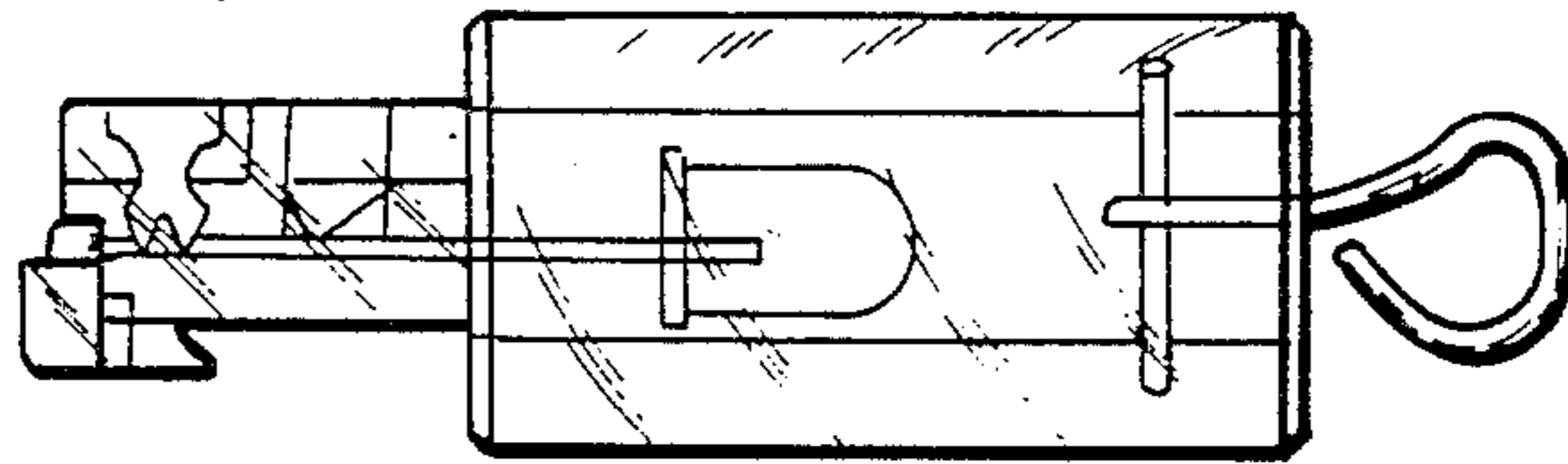


Fig. 3

Fig. 4

