

[54] DISPENSING BOX FOR COTTONWOOL-TIPPED STICKS OR THE LIKE

[75] Inventor: Henri Minost, Neuilly S/Seine, France

[73] Assignee: Beghin-Say, S.A., Thumeries, France

[**] Term: 14 Years

[21] Appl. No.: 656,678

[22] Filed: Oct. 1, 1984

[30] Foreign Application Priority Data

Mar. 29, 1984 [FR] France 84 1433
[52] U.S. Cl. D9/418
[58] Field of Search D9/418, 352, 355; 206/229, 38, 216, 361, 443; 220/1 R, 1 S; 229/17 R, 11

[56] References Cited
U.S. PATENT DOCUMENTS

D. 130,433 11/1941 Lewis D9/352
D. 244,259 5/1977 Bergstein D9/418
D. 245,229 8/1977 Hanson D9/418

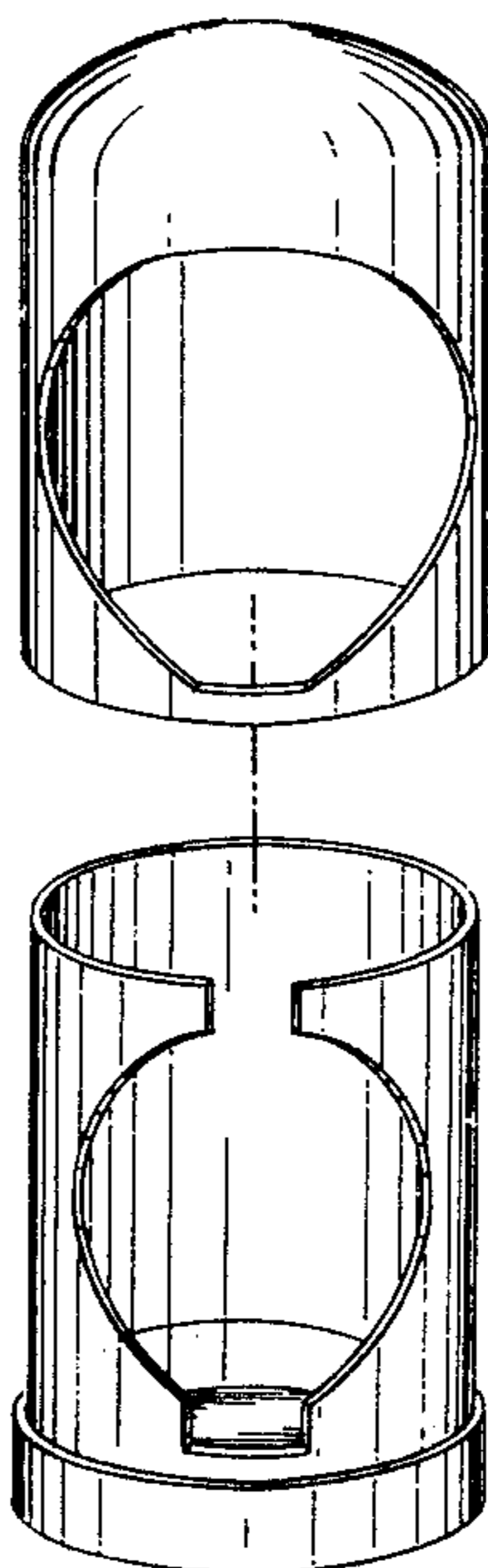
Primary Examiner—Robert C. Spangler
Attorney, Agent, or Firm—A. W. Breiner

[57] CLAIM

The ornamental design for a dispensing box for cottonwool-tipped sticks or the like, as shown.

DESCRIPTION

FIG. 1 is an exploded front perspective view of a dispensing box for cottonwool-tipped sticks or the like showing my new design;
FIG. 2 is a front perspective view;
FIG. 3 is a side elevational view, the opposite side being a mirror image thereof;
FIG. 4 is a rear elevational view;
FIG. 5 is a top plan view; and
FIG. 6 is a bottom plan view.



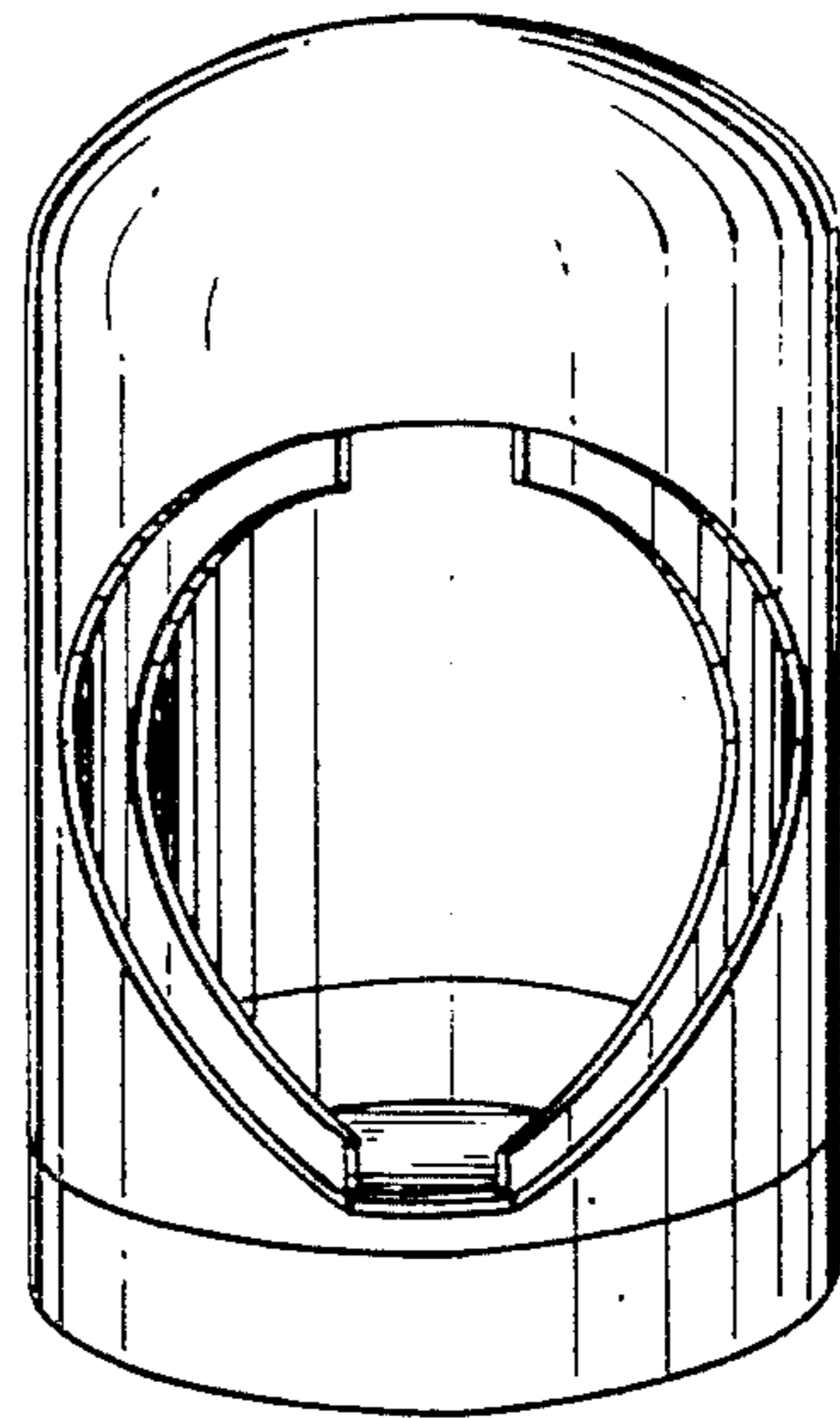
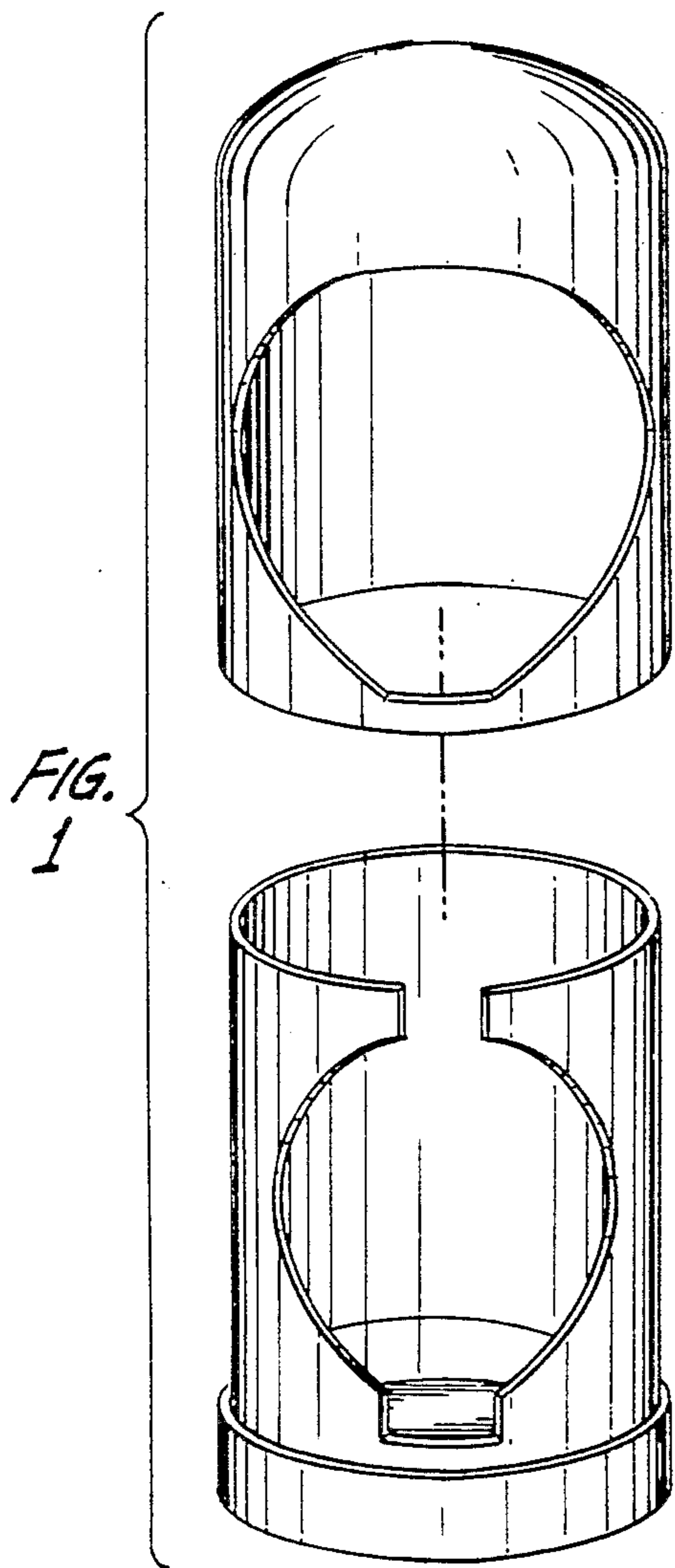


FIG. 2

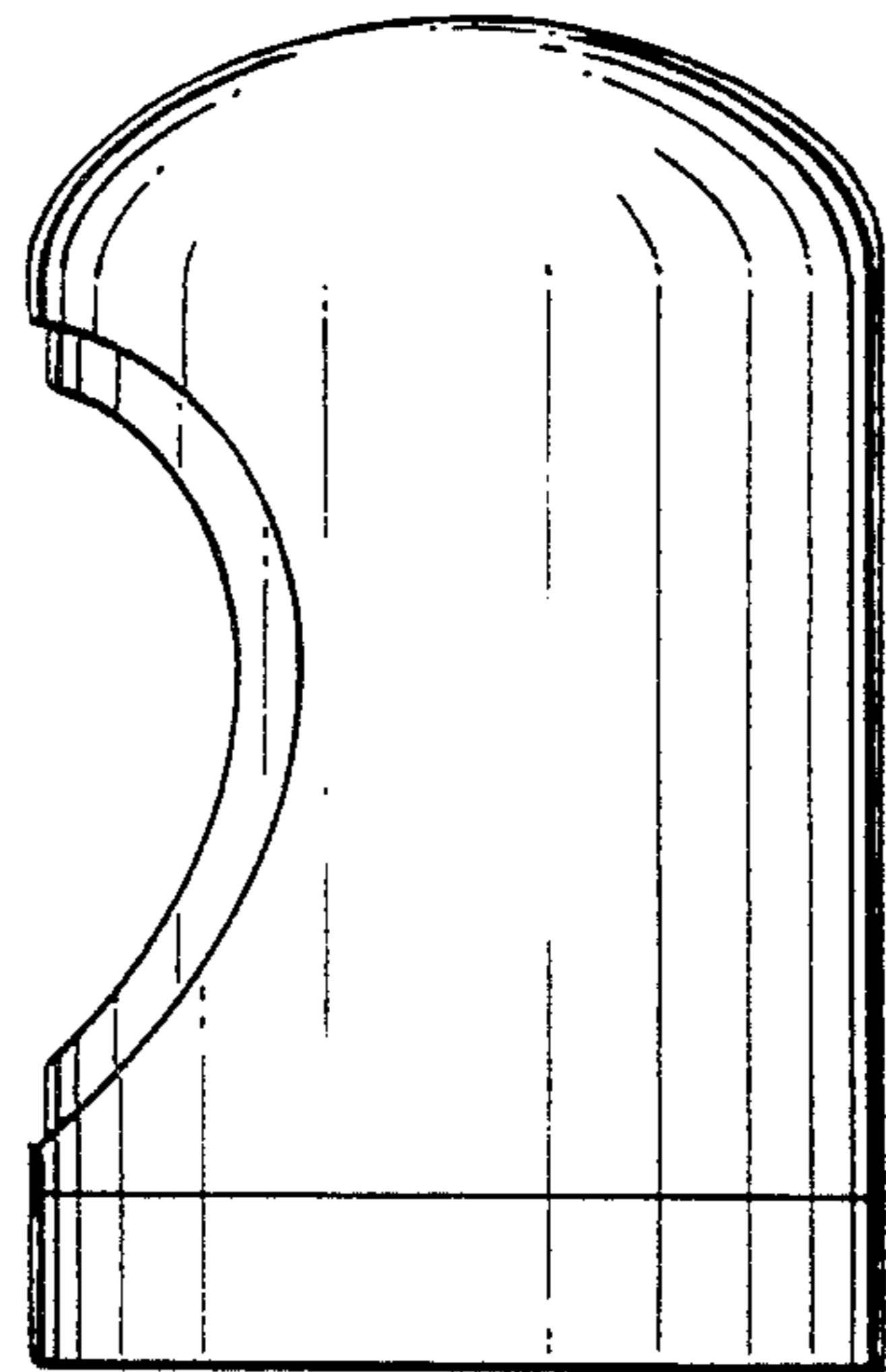


FIG. 3

FIG. 5

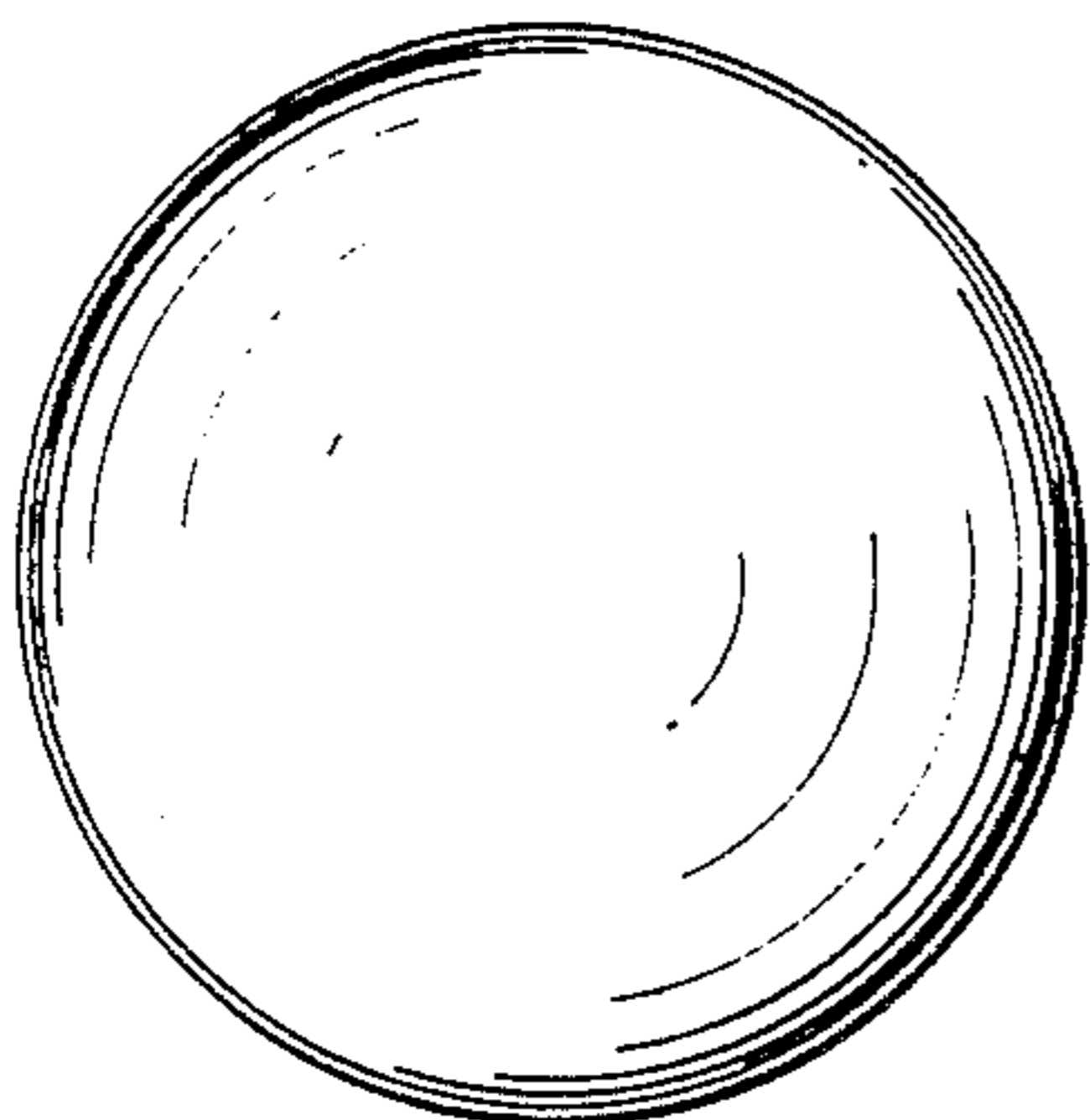


FIG. 6

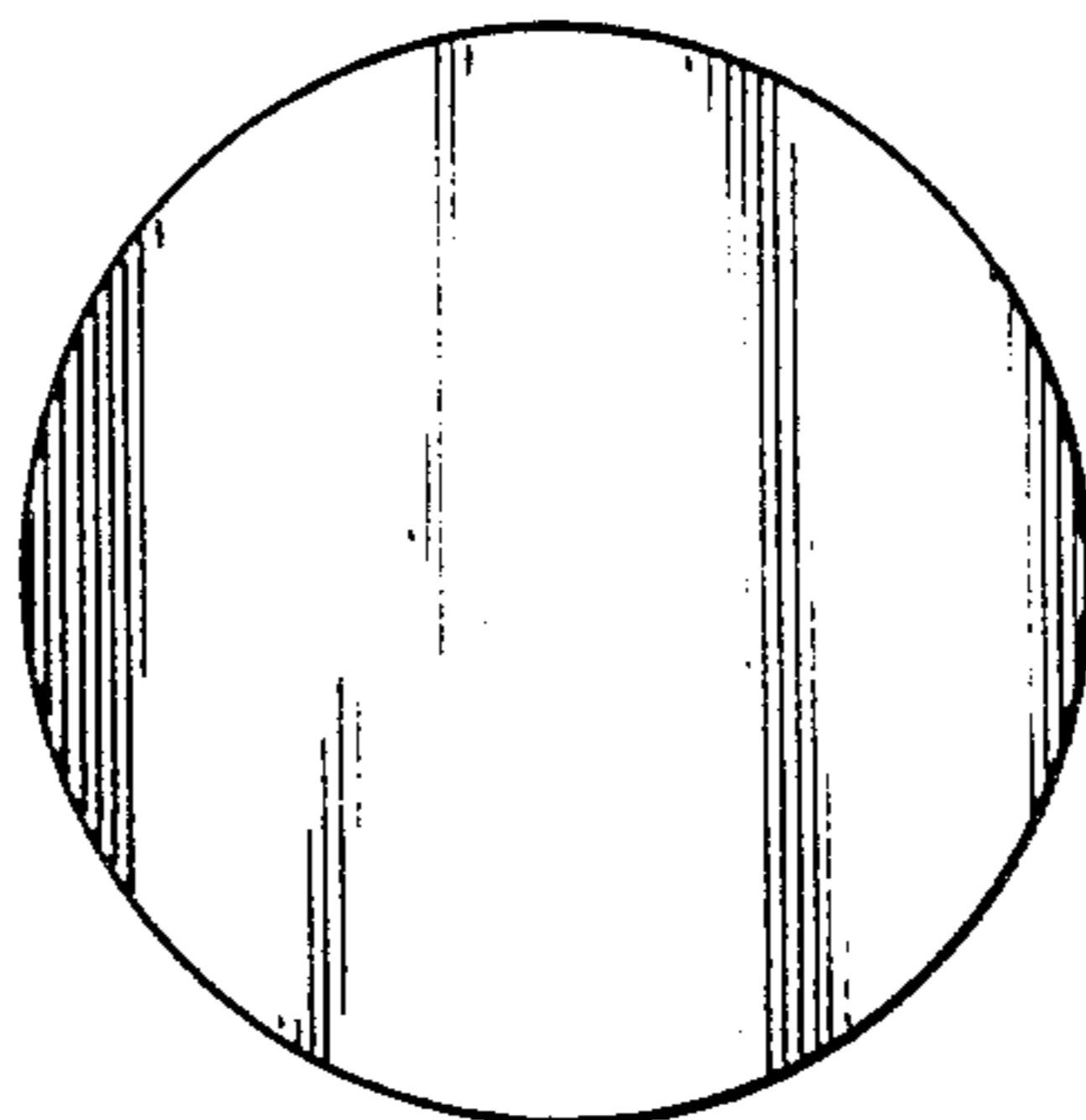


FIG. 4

