

[54] HINGE

[76] Inventor: **Katsumi Niwa**, 874-2, Nakagiri, Mitake-cho, Kani-gun, Gifu-ken, Japan

[**] Term: **14 Years**

[21] Appl. No.: **702,310**

[22] Filed: **Feb. 15, 1985**

[30] **Foreign Application Priority Data**

Sep. 19, 1984 [JP] Japan 59-38939

[52] U.S. Cl. **D8/325; D8/382**

[58] Field of Search **D8/323, 325, 327; 16/221, 225, 277, 385, 388**

[56] **References Cited**

U.S. PATENT DOCUMENTS

- D. 201,870 8/1965 Joyce D8/325
- D. 233,880 12/1974 Swenson et al. D8/325
- D. 279,255 6/1985 Roy D8/327

- 3,574,306 4/1971 Alden 16/225
- 4,574,425 3/1986 Sugiura 16/225

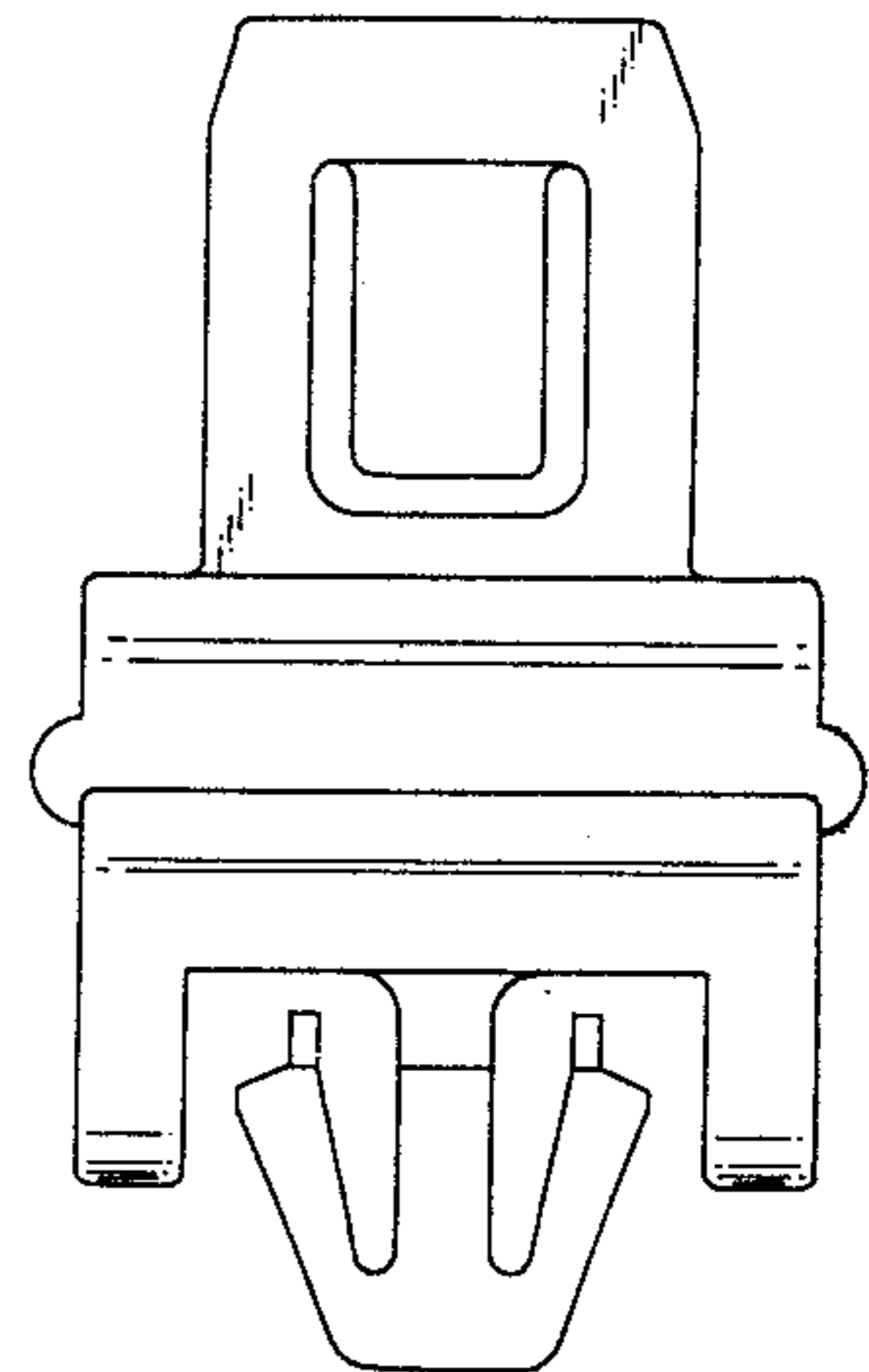
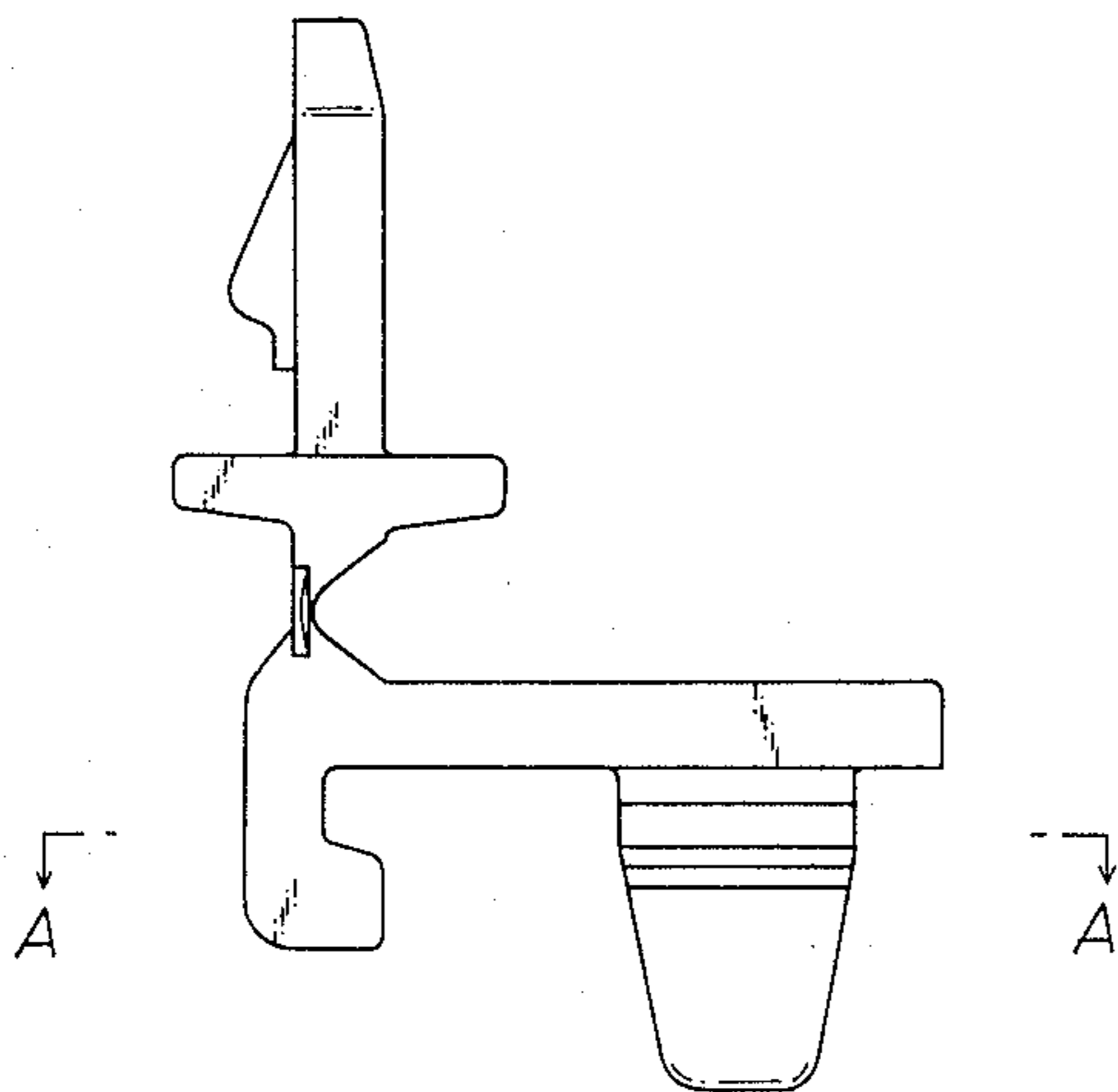
Primary Examiner—B. J. Bullock
Attorney, Agent, or Firm—Oblon, Fisher, Spivak, McClelland & Maier

[57] **CLAIM**

The ornamental design for a hinge, substantially as shown and described.

DESCRIPTION

FIG. 1 is a top view of the hinge showing my new design;
 FIG. 2 is a front view thereof, the rear being a mirror image;
 FIG. 3 is a bottom view thereof;
 FIG. 4 is a left side view thereof;
 FIG. 5 is a right side view thereof;
 FIG. 6 is a sectional view taken in the direction of the arrows on line 6—6 of FIG. 5;
 FIG. 7 is a sectional view taken in the direction of the arrows on line 7—7 of FIG. 2.



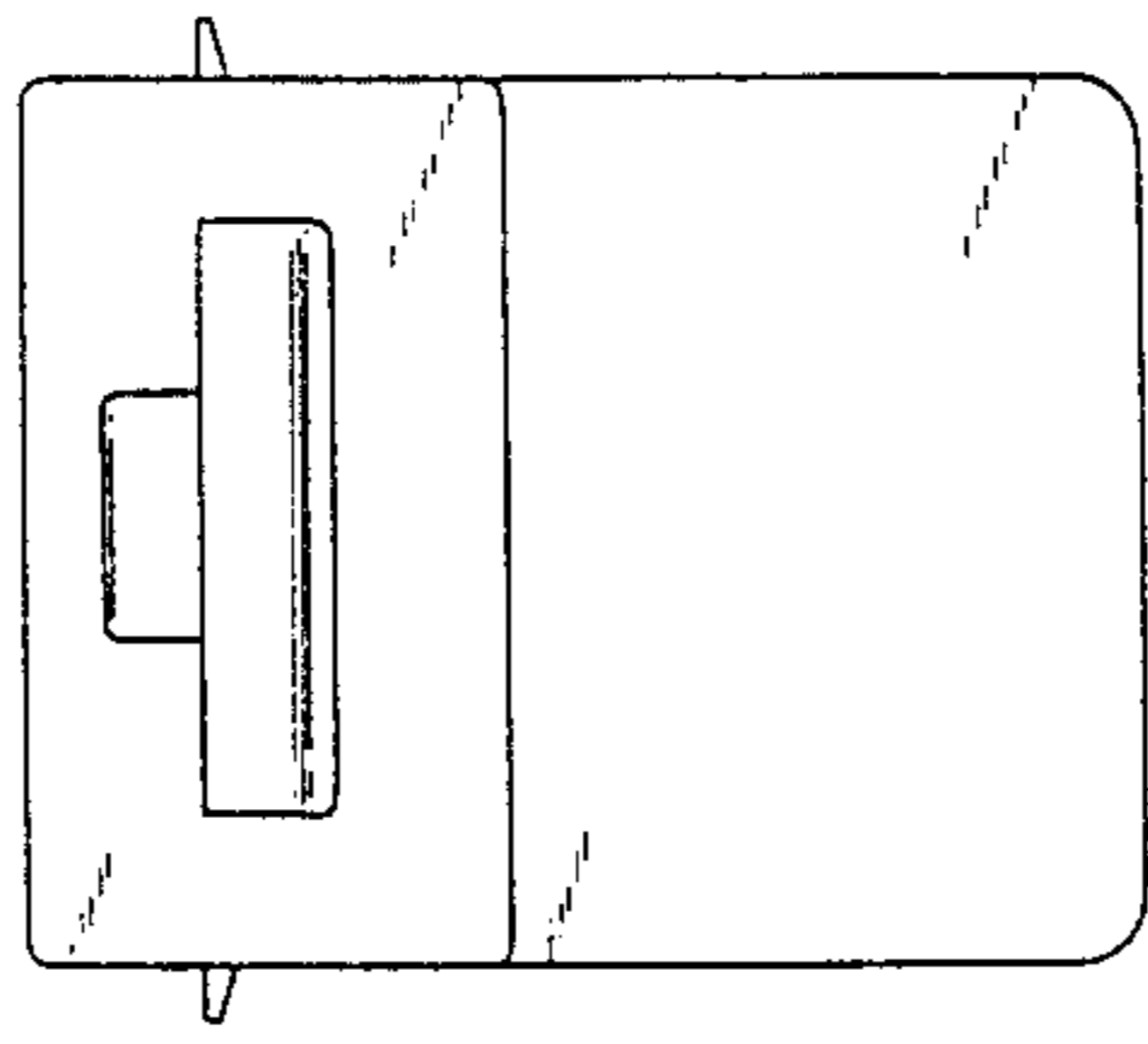


Fig. 1

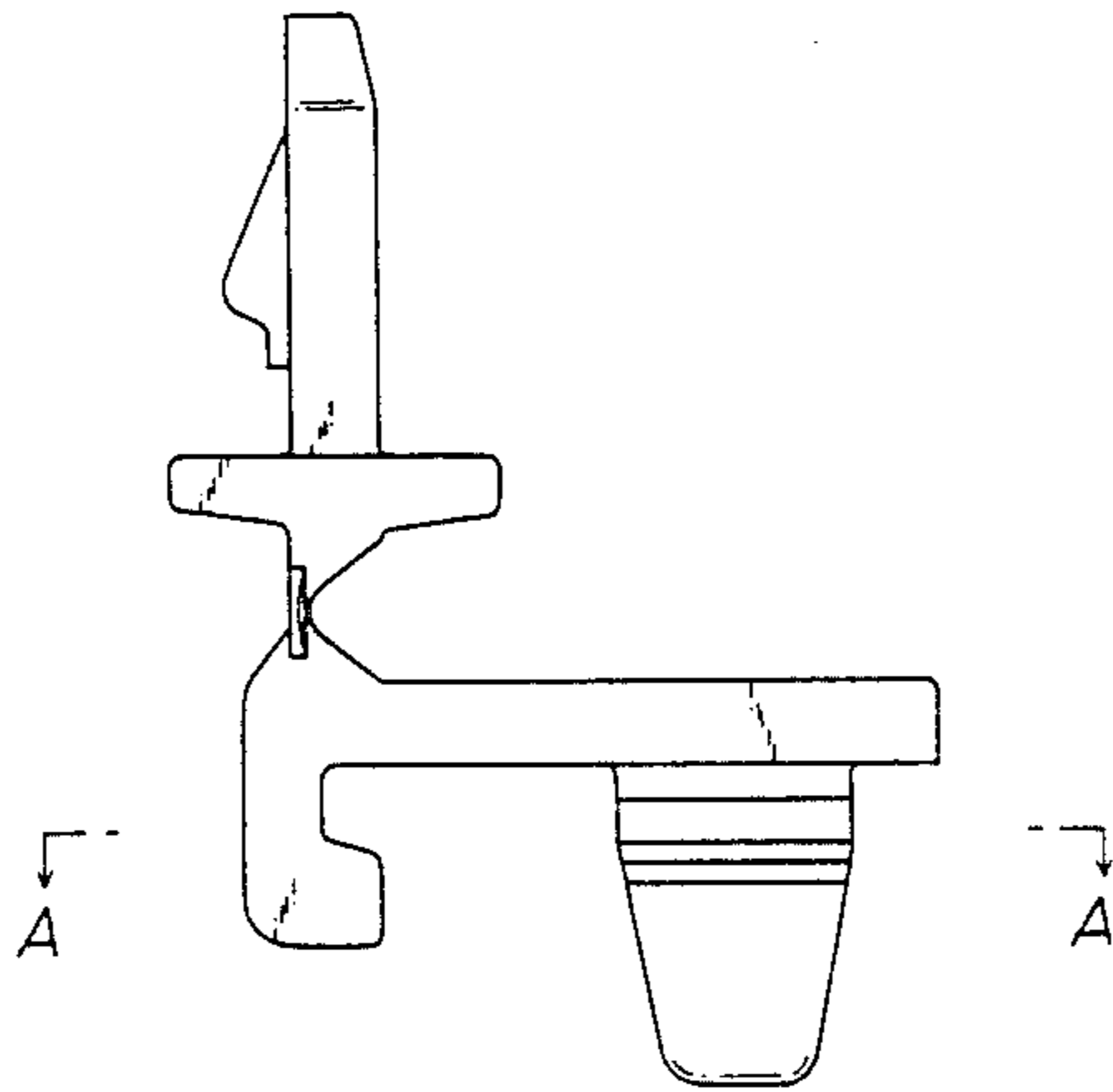


Fig. 2

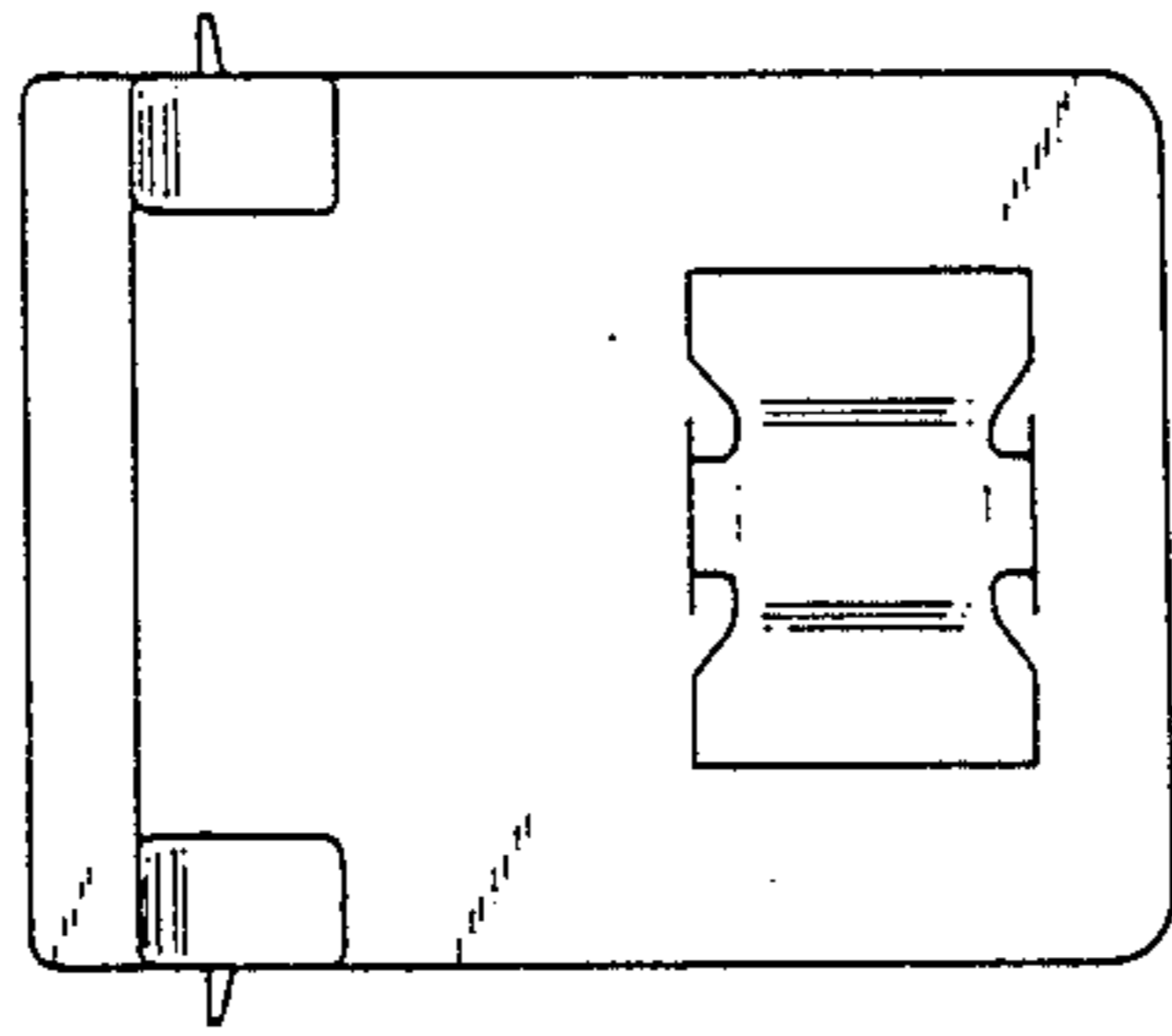


Fig. 3

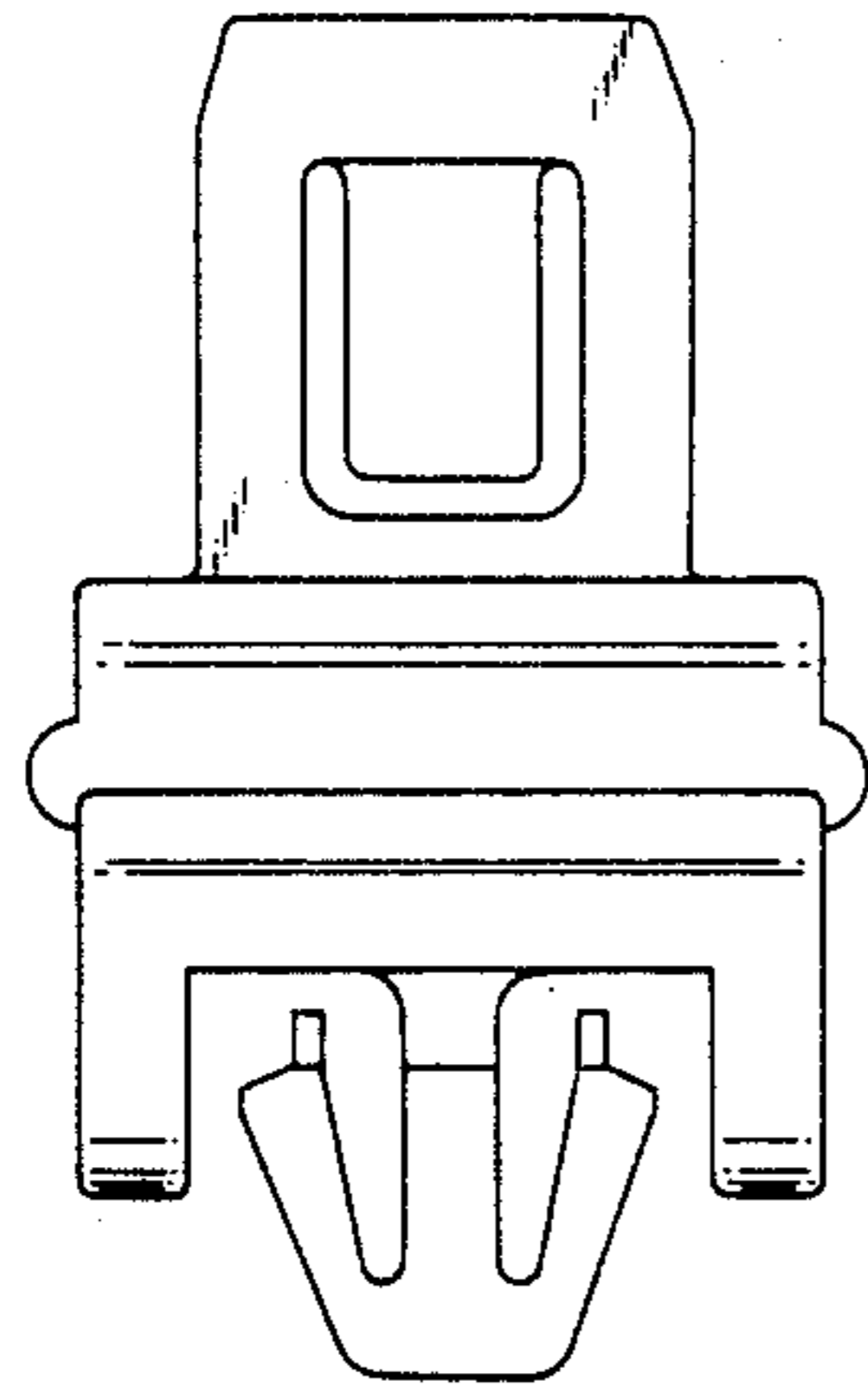


Fig. 4

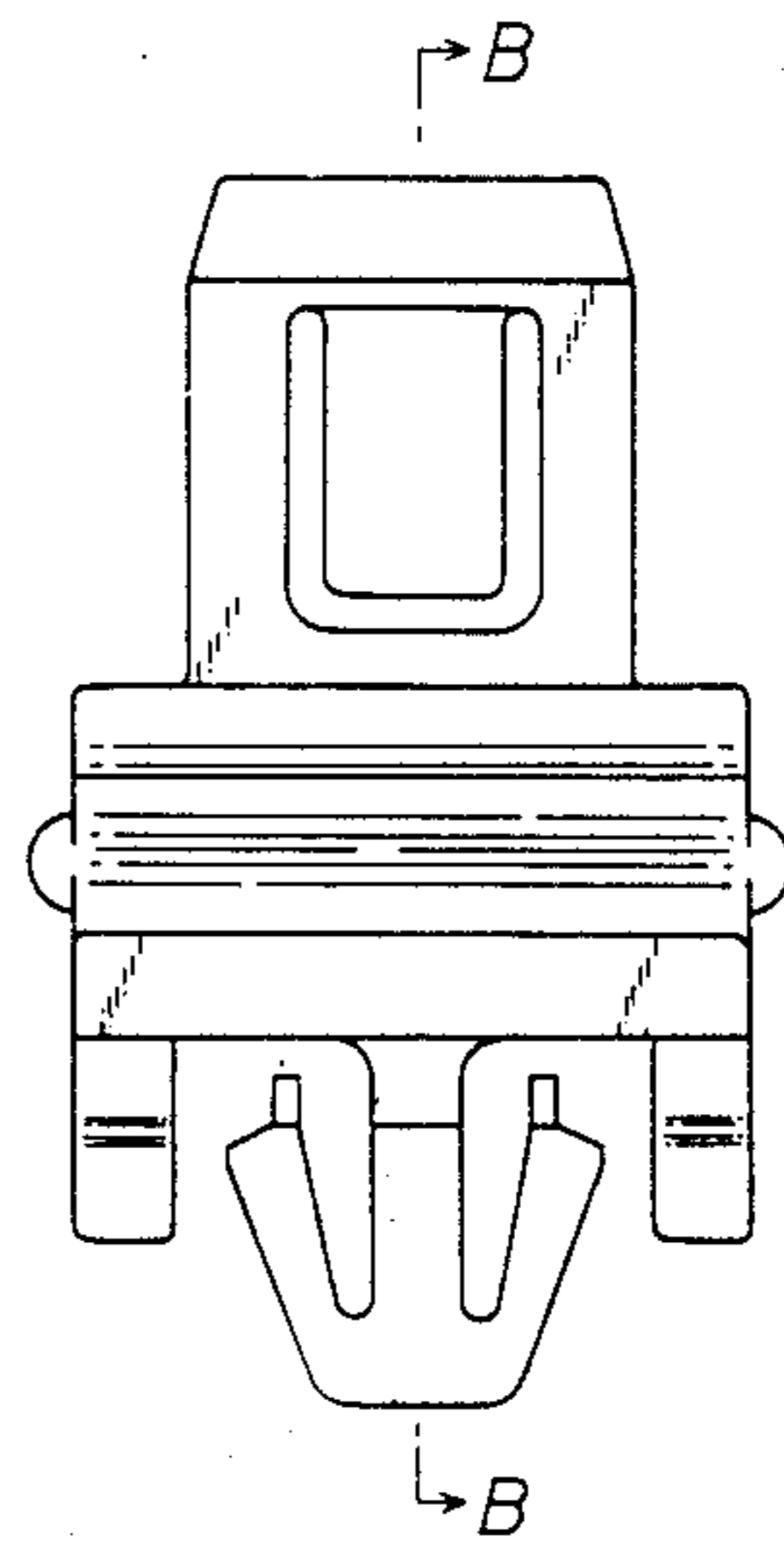


Fig. 5

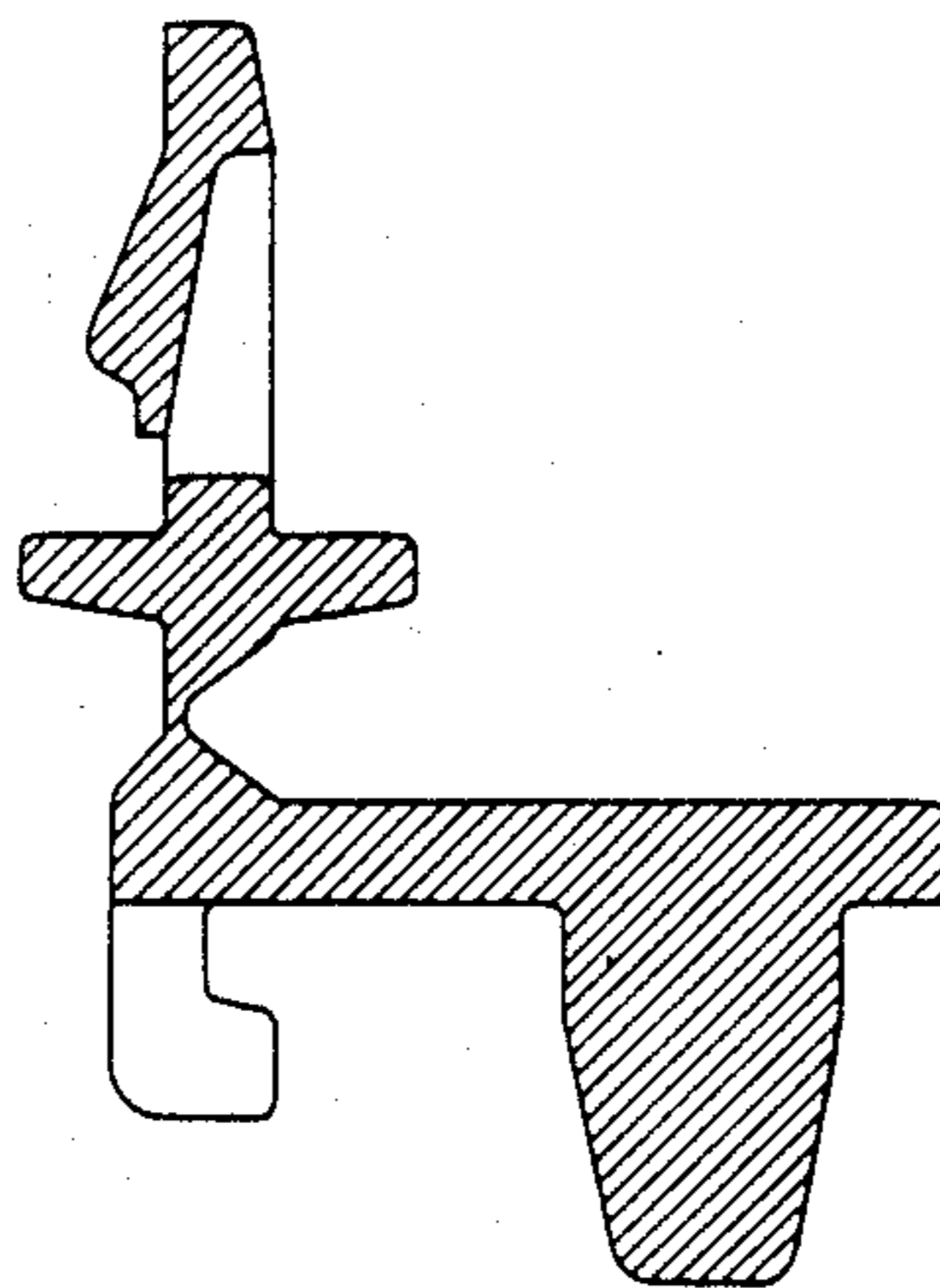


Fig. 6

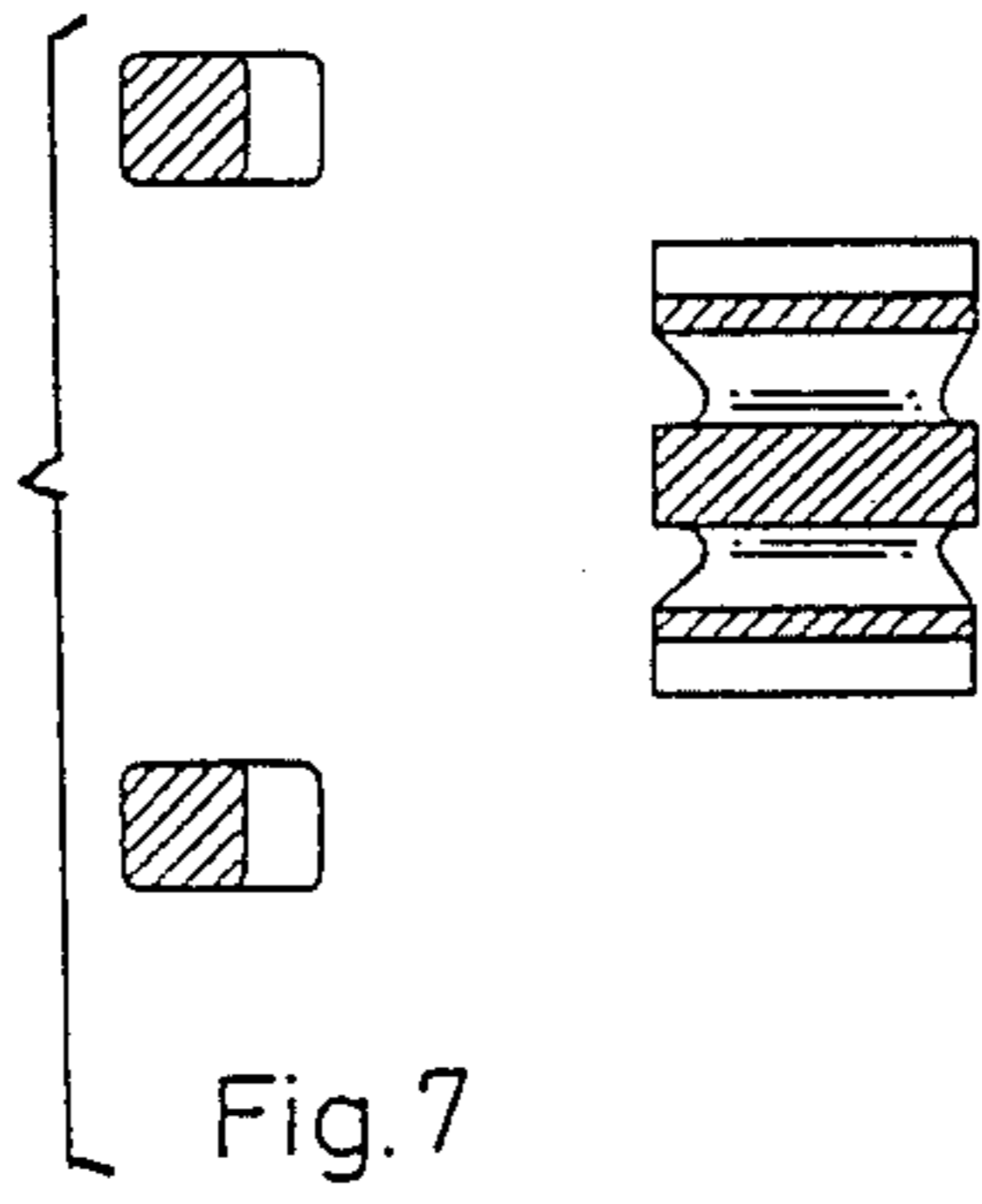


Fig. 7