

[54] KNOB

D. 220,582 4/1971 Trivilino D9/435

[75] Inventor: Giorgio Decursu, Milan, Italy

OTHER PUBLICATIONS

Dimco Plastic Knobs Cat. 66, p. 9; Knob 248 (lower right center).

[73] Assignee: Elesa S.p.A., Milan, Italy

Primary Examiner—B. J. Bullock
Attorney, Agent, or Firm—Stevens, Davis Miller & Mosher

[**] Term: 14 Years

[21] Appl. No.: 575,145

[22] Filed: Jan. 30, 1984

[57] CLAIM

The ornamental design for knob, as shown and described.

[30] Foreign Application Priority Data

Apr. 8, 1983 [IT] Italy 22588/83[U]

DESCRIPTION

[52] U.S. Cl. D8/310

[58] Field of Search D8/300, 307, 310-312;
D9/435, 424, 418; D7/14; D26/122; D10/111;
16/110 R, 118, 121

FIG. 1 is a perspective view of a knob showing my design.

FIG. 2 is a top plan view thereof.

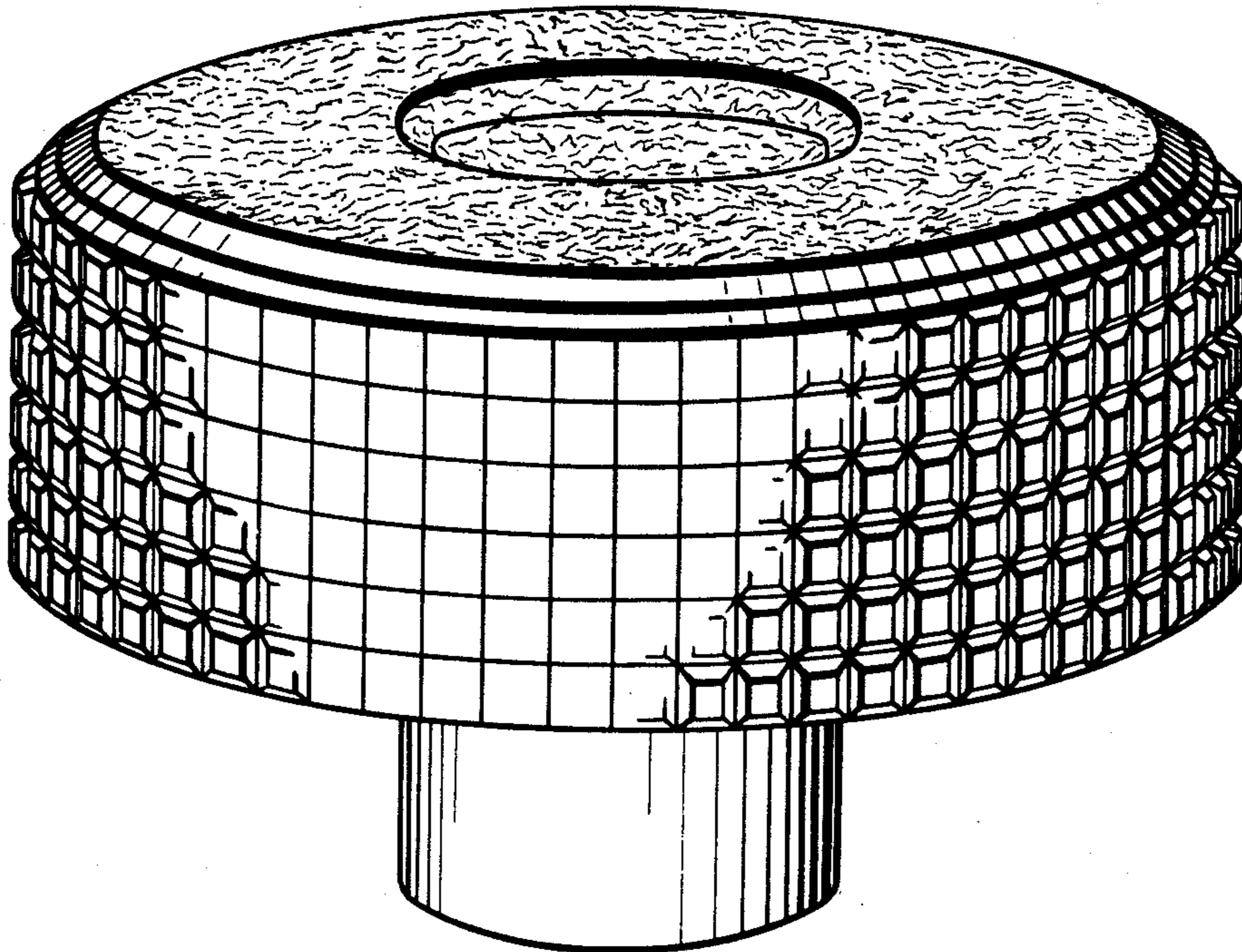
FIG. 3 is a bottom view thereof.

The prisms which are partially shown in FIG. 1 are understood to repeat uniformly across the side of the knob.

[56] References Cited

U.S. PATENT DOCUMENTS

D. 131,090 1/1942 Schlage D8/312



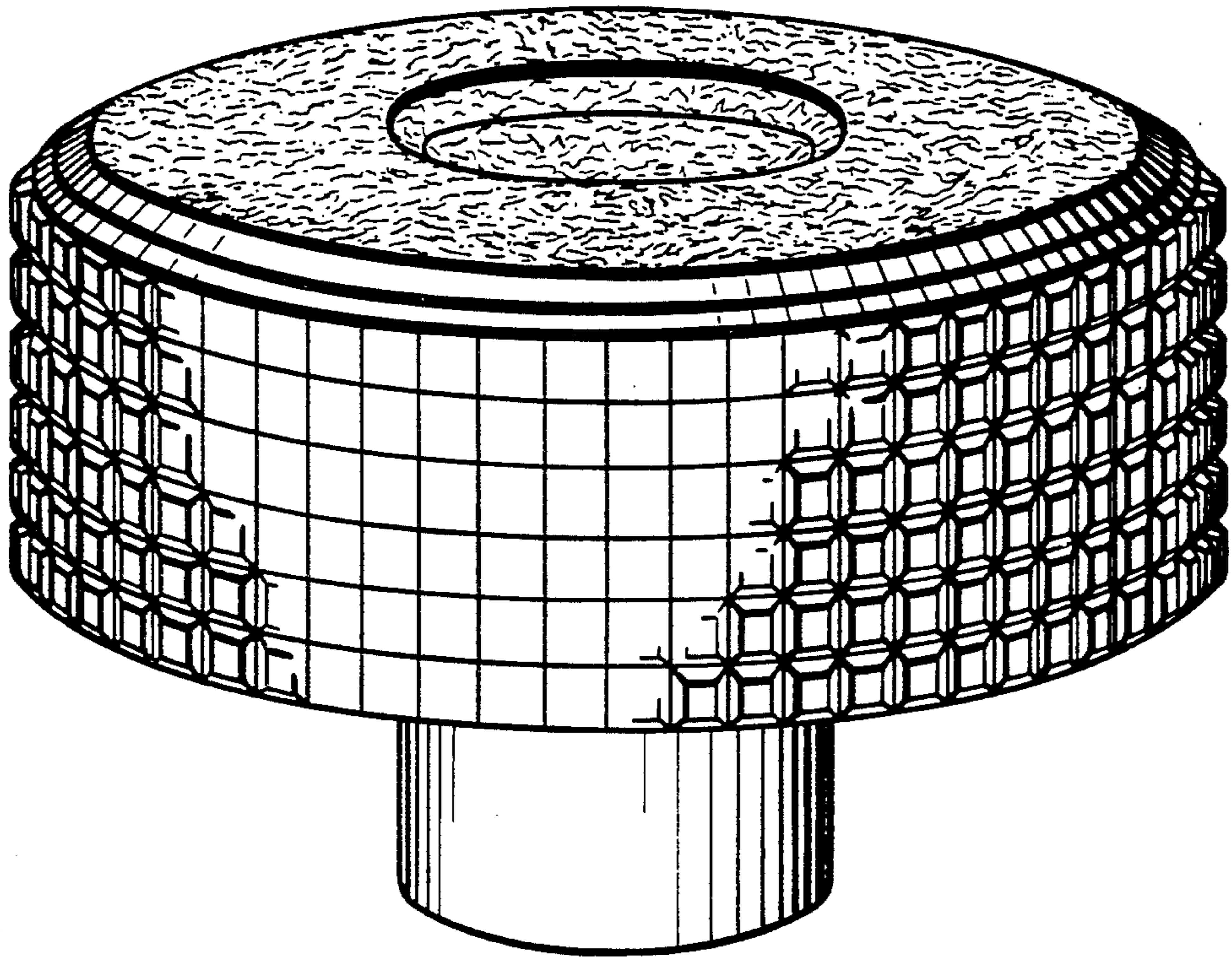


FIG. 1

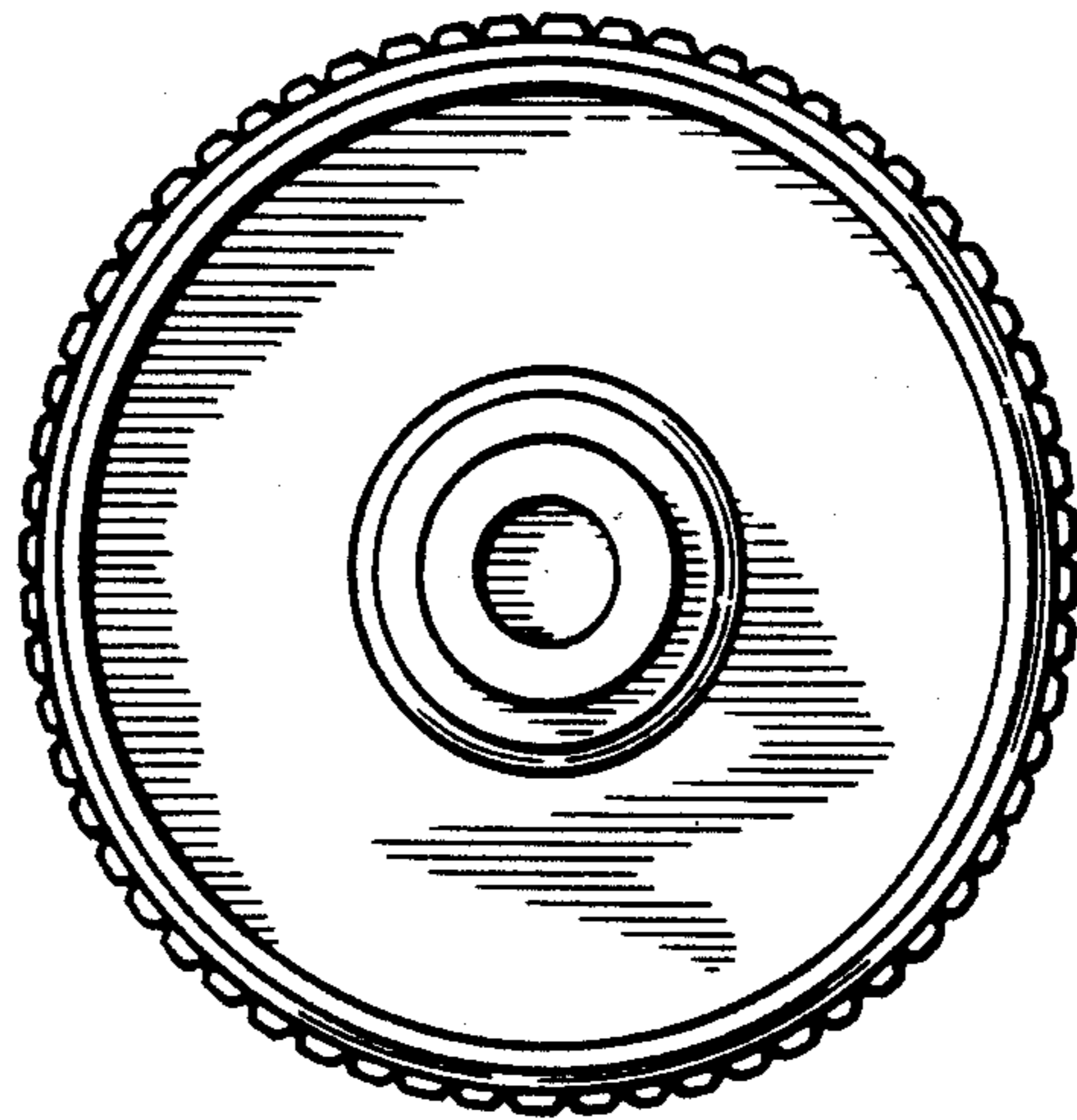


FIG. 3

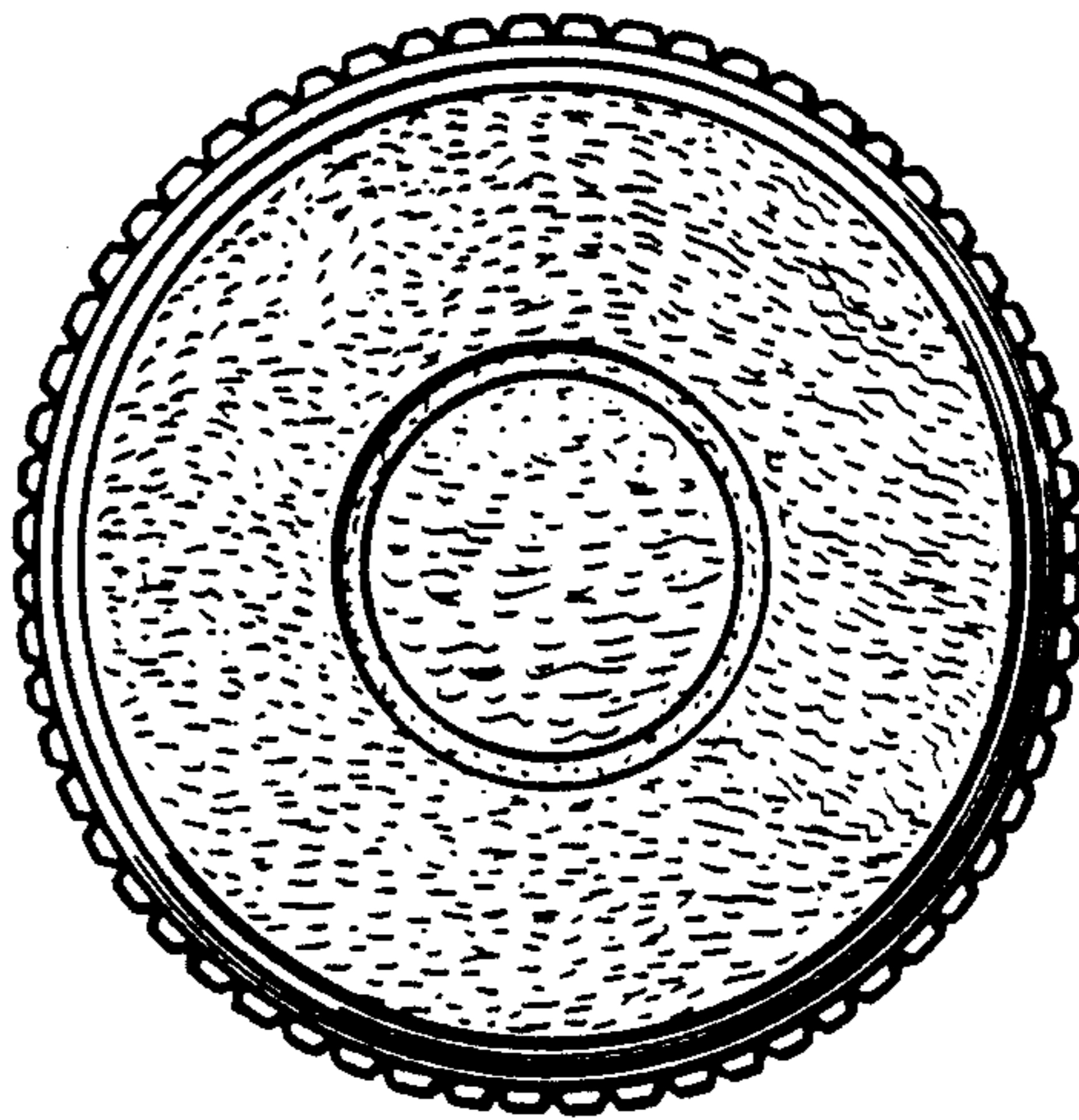


FIG. 2

UNITED STATES PATENT AND TRADEMARK OFFICE
CERTIFICATE OF CORRECTION

PATENT NO. : D291,053
DATED : July 28, 1987
INVENTOR(S) : Giorgio DECURSU

It is certified that error appears in the above-identified patent and that said Letters Patent is hereby corrected as shown below:

Title Page, item [30] Foreign Application Priority Data,
"Apr. 8, 1983" should be --Aug. 4, 1983--.

Signed and Sealed this
Twenty-second Day of November, 1988

Attest:

DONALD J. QUIGG

Attesting Officer

Commissioner of Patents and Trademarks