

[54] COMPARTMENTED DISH

[75] Inventors: William K. Fahey, Longwood, Fla.;
Augusto A. Picozza, Johnston, R.I.

[73] Assignee: Dart Industries Inc., Northbrook, Ill.

[**] Term: 14 Years

[21] Appl. No.: 686,321

[22] Filed: Dec. 26, 1984

[52] U.S. Cl. D7/27

[58] Field of Search D7/27, 23, 17, 76, 20,
D7/1; D9/347; 220/23.8, 23.83, 23.86;
206/563, 564

[56] References Cited

U.S. PATENT DOCUMENTS

D. 188,502	8/1960	Metzler et al.	D7/27
D. 232,294	8/1974	Christian et al.	D7/27
D. 235,122	5/1975	Neri	D7/76 X
D. 244,065	4/1977	Daenen	D7/23

D. 248,077	6/1978	Daenen	D7/23
D. 277,632	2/1985	Staufenberg	D7/76
1,848,066	3/1932	Shepard et al.	D7/27 X
2,240,602	3/1939	Bartsch	D7/20 X
3,413,820	9/1966	Paquin	62/371
3,623,634	11/1971	Norgard	220/97 R
4,234,097	11/1980	Daenen	220/4 D

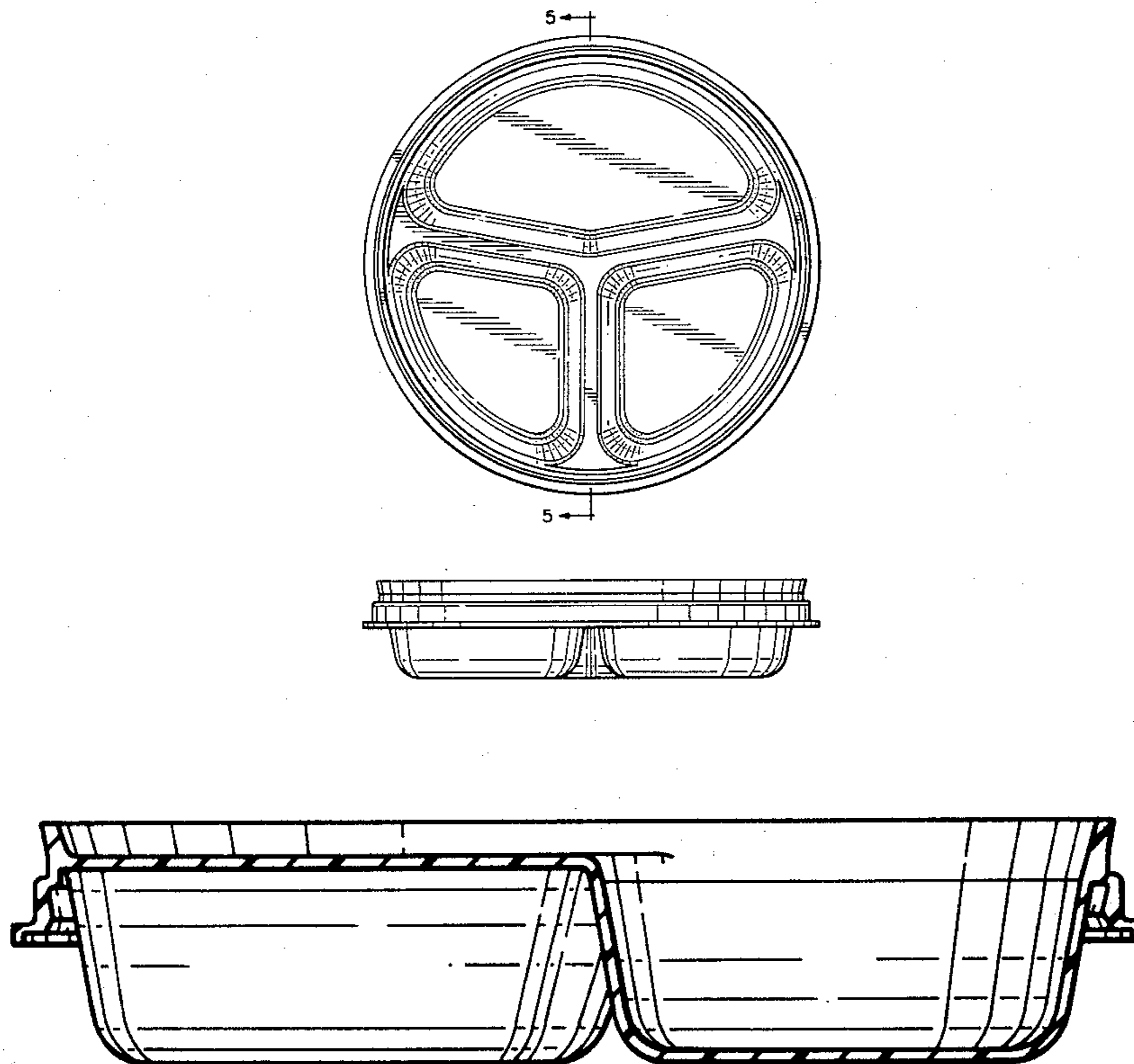
Primary Examiner—Winifred E. Herrmann
Attorney, Agent, or Firm—John A. Doninger

[57] CLAIM

The ornamental design for a compartmented dish, substantially as shown.

DESCRIPTION

FIG. 1 is a top perspective view of a compartmented dish showing our new design;
FIG. 2 is a top plan view thereof;
FIG. 3 is a side elevation thereof;
FIG. 4 is a bottom plan view thereof;
FIG. 5 is a cross-sectional view taken along line 5—5 of FIG. 2.



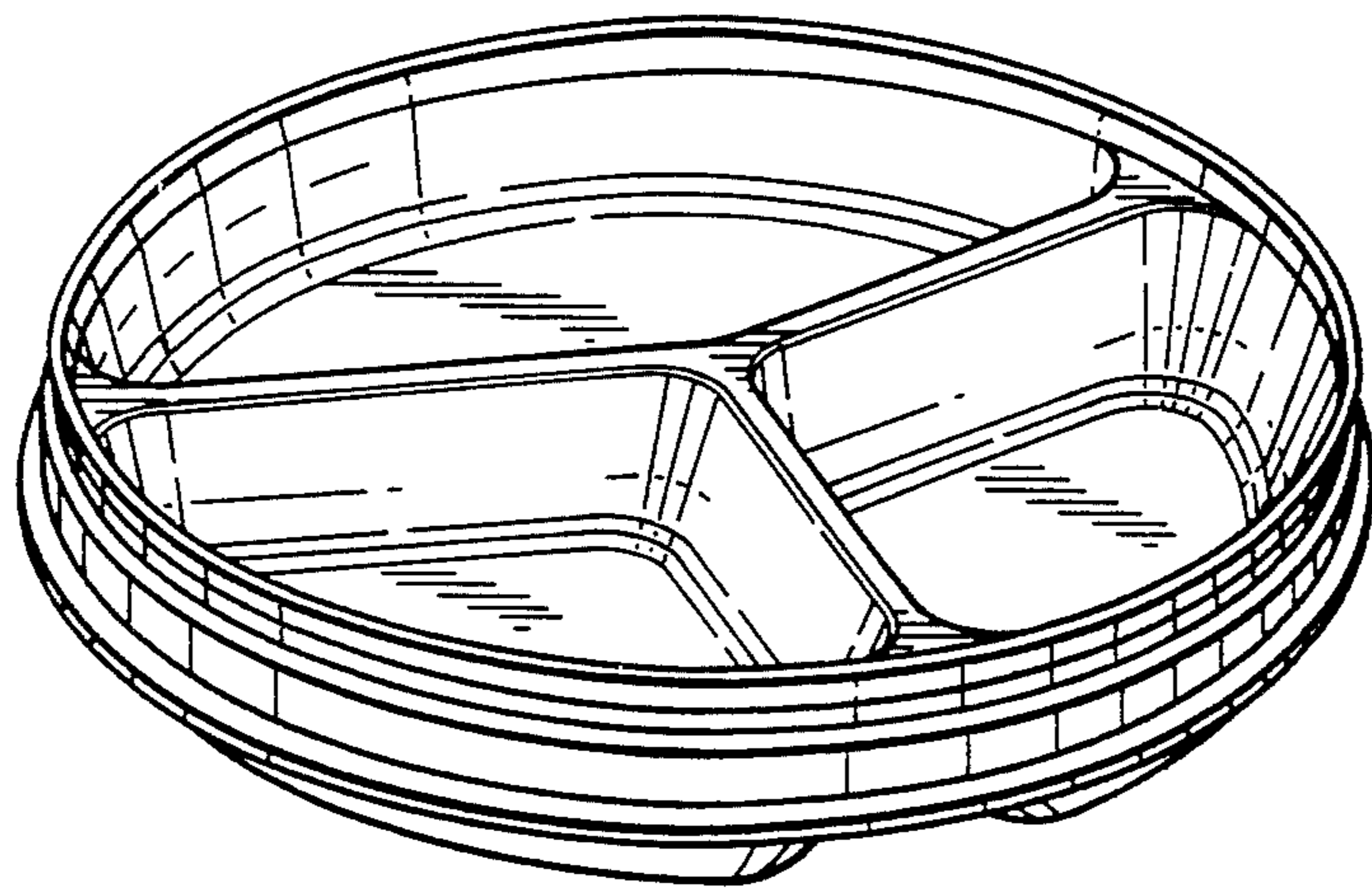


FIG. 1

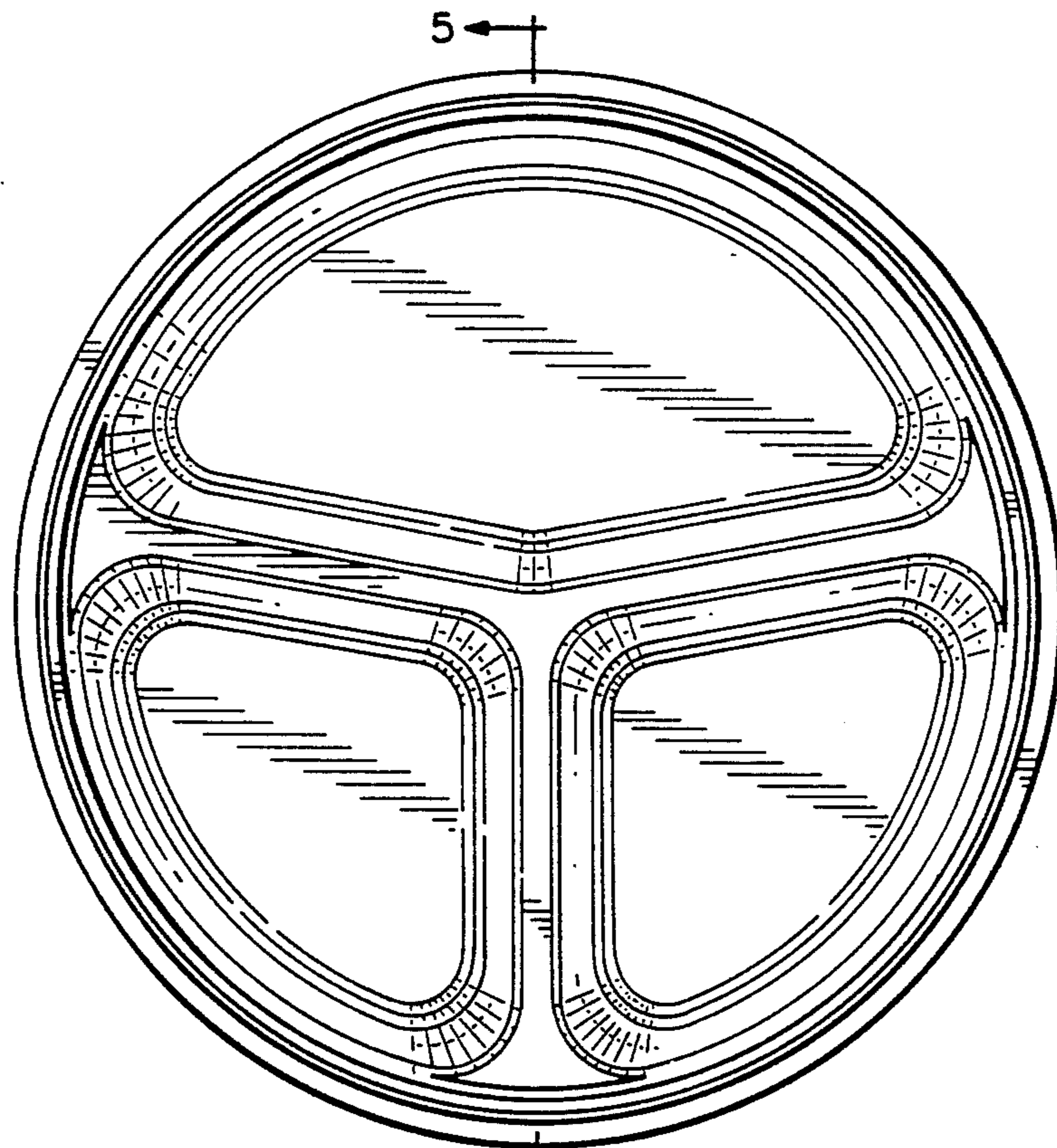


FIG. 2

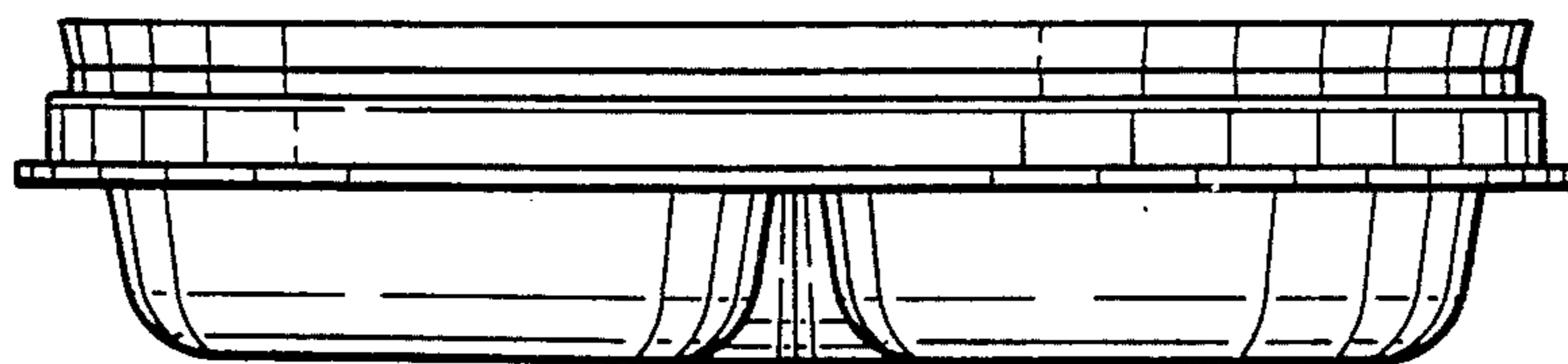


FIG. 3

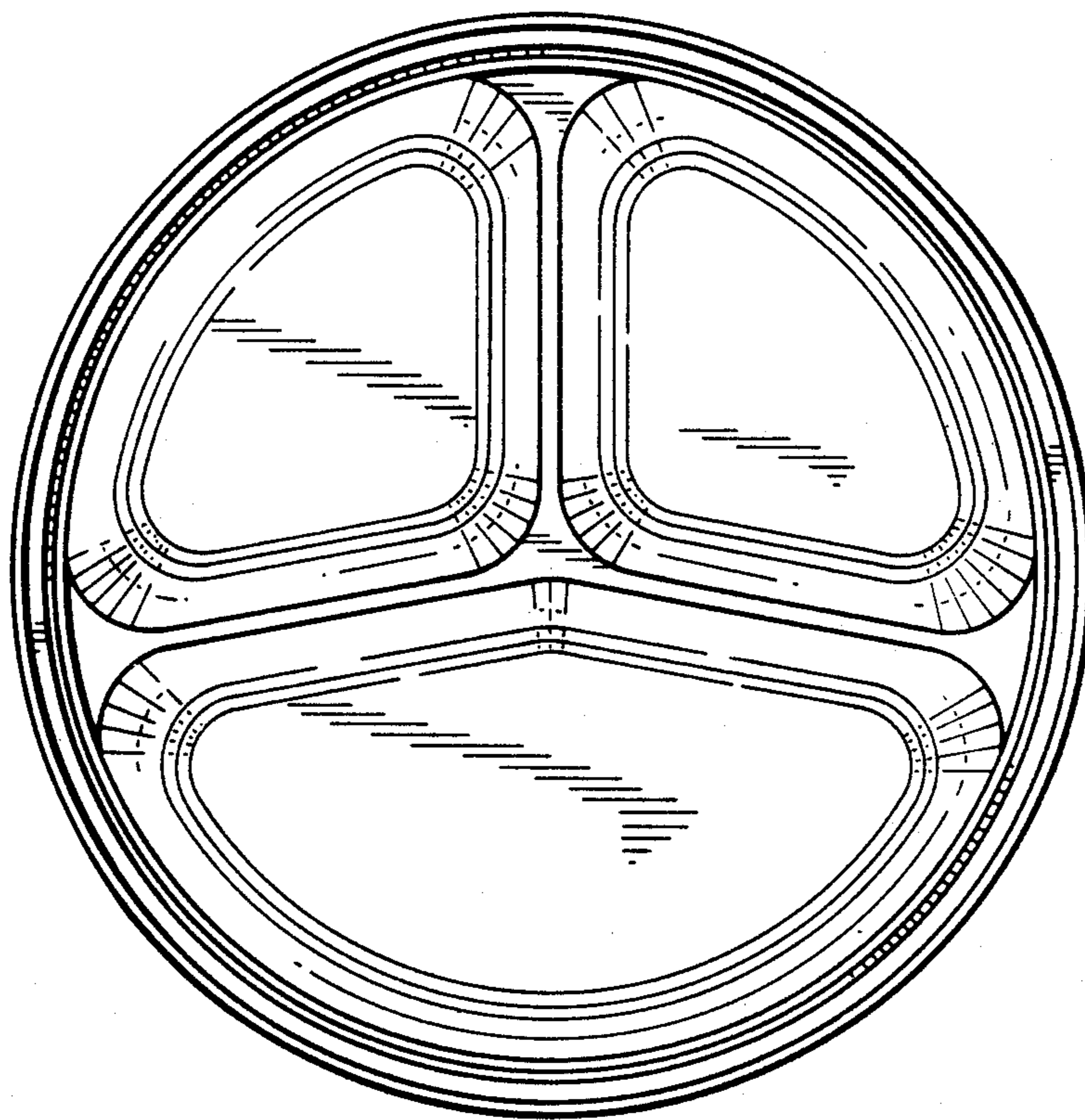


FIG. 4

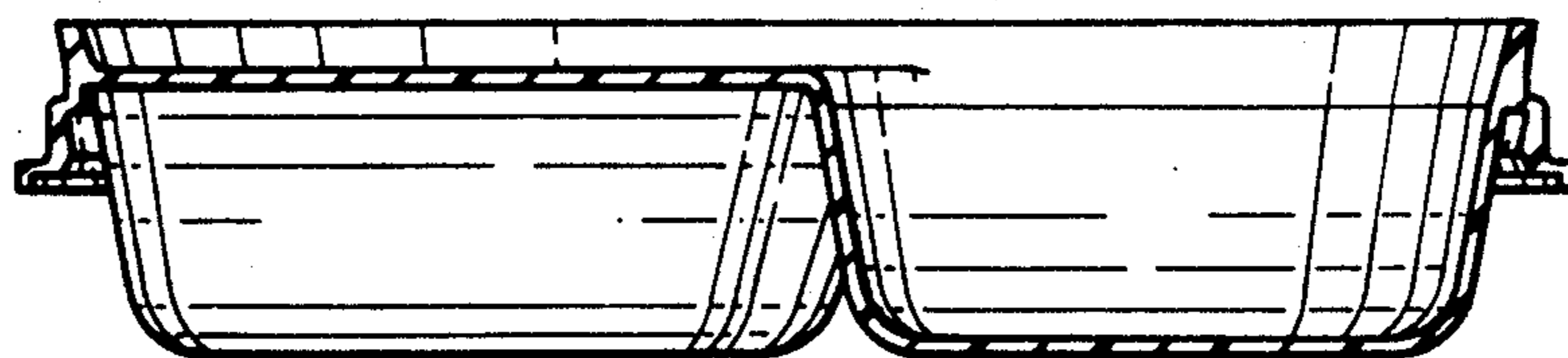


FIG. 5